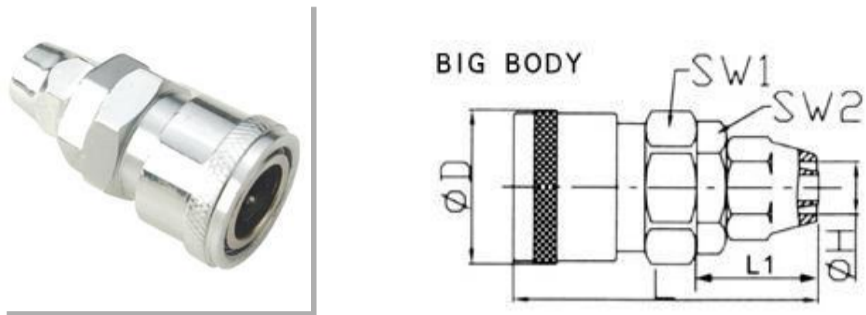


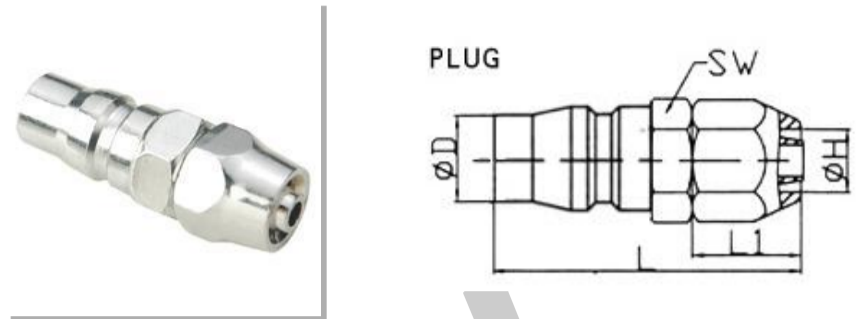
## Quick Couplings (Japan Style)

### SP Socket Nut



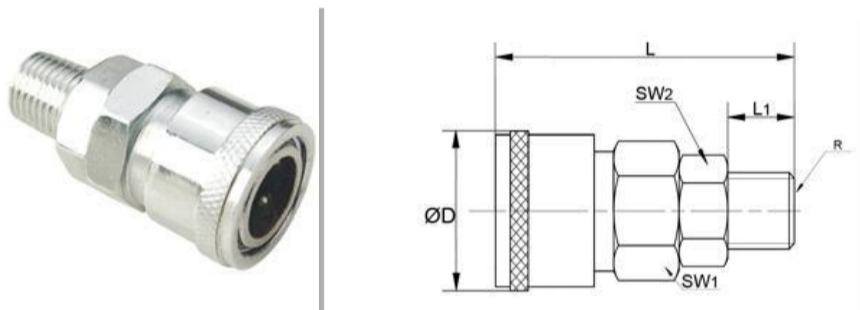
PART NO.	L	ØD	L1	SW1	SW2	ØP
SP20	50	25	16	21	19	8x5
SP30	52	25	18	21	19	10x6.5
SP40	53	25	20	27	19	12x8

### PP Plug Nut



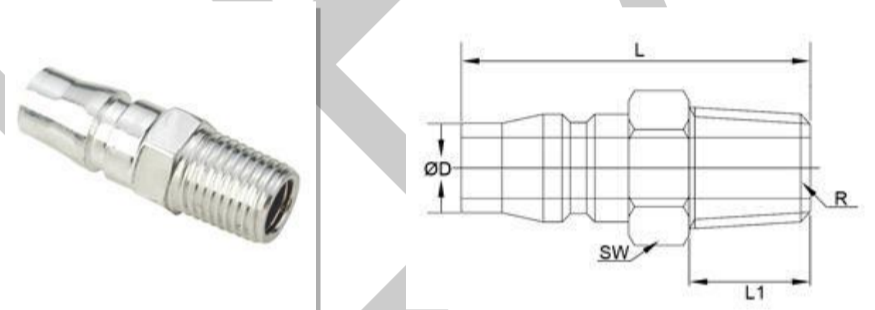
PART NO.	L	ØD	L1	SW	ØD
PP20	45	11	17.5	17	8x5
PP30	45	11	18	19	10x6.5
PP40	48	11	20	19	12x8

### SM Socket Male Thread



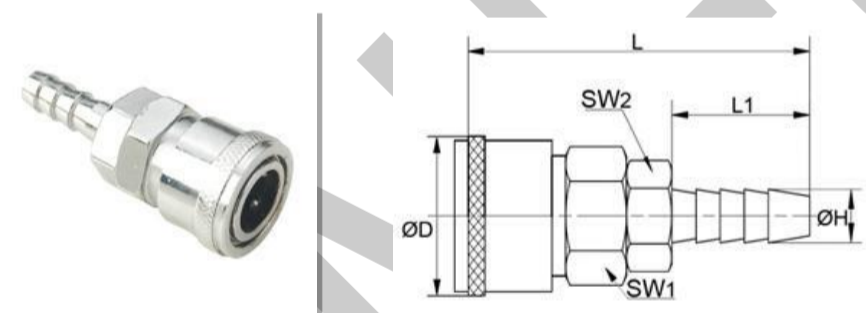
PART NO.	L	ØD	L1	SW1	SW2	R
SM20	45	25	11.6	21	19	1/4
SM30	45	25	12.7	21	19	3/8
SM40	49	25	14.6	21	21	1/2

### PM Plug Male Thread



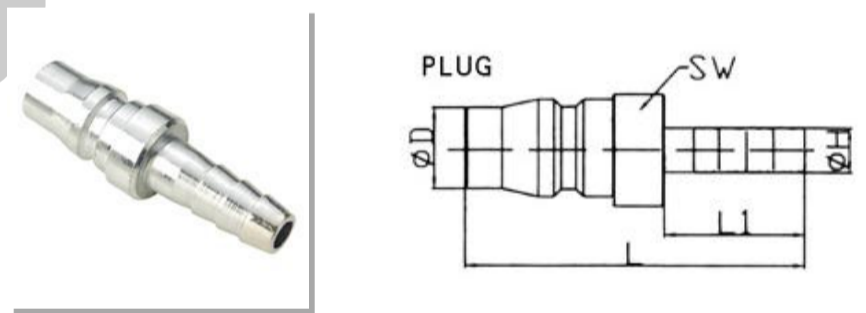
PART NO.	L	ØD	L1	SW	R
PM20	41	11	14	14	1/4
PM30	41	11	14.7	17	3/8
PM40	38.7	11	13	21	1/2

### SH Socket Hose Stem



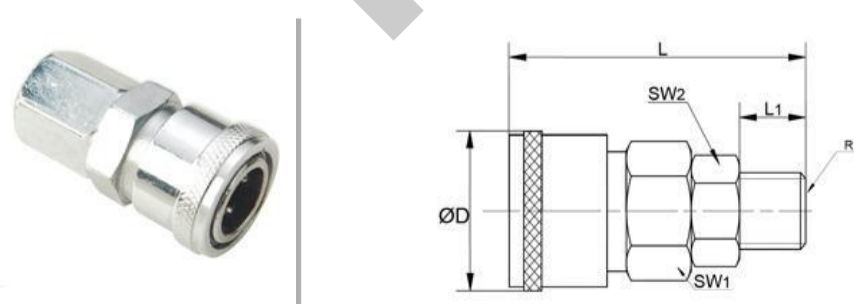
PART NO.	L	ØD	L1	SW1	SW2	ØH
SH20	60.5	25	24	21	19	9
SH30	61	25	26	21	19	11
SH40	67.5	25	32	21	19	13

### PH Plug Hose Stem



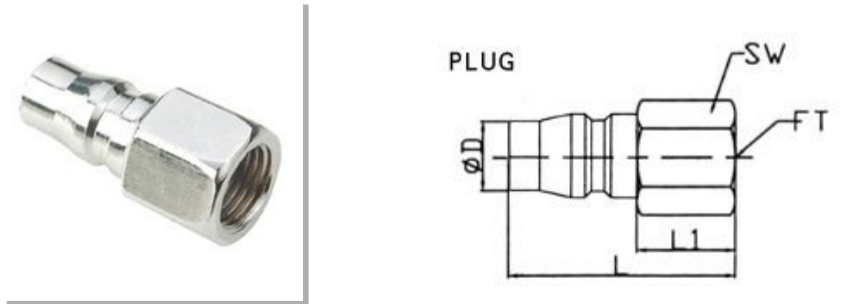
PART NO.	L	ØD	L1	SW	ØH
PH20	49	11	24	15	9
PH30	49	11	24	15	11
PH40	48	11	24	15	13

### SF Socket Female Thread



PART NO.	L	ØD	L1	SW1	SW2	R
SF20	45	25	12	21	19	1/4
SF30	49	25	14	21	19	3/8
SF40	49	25	16	21	21	1/2

### PF Plug Female Thread



PART NO.	L	ØD	L1	SW	R
PF20	39.5	11	18.5	16	1/4
PF30	36	11	16	21	3/8
PF40	37	11	16.4	24	1/2

\*Information contained herein may be changed without prior notification.