

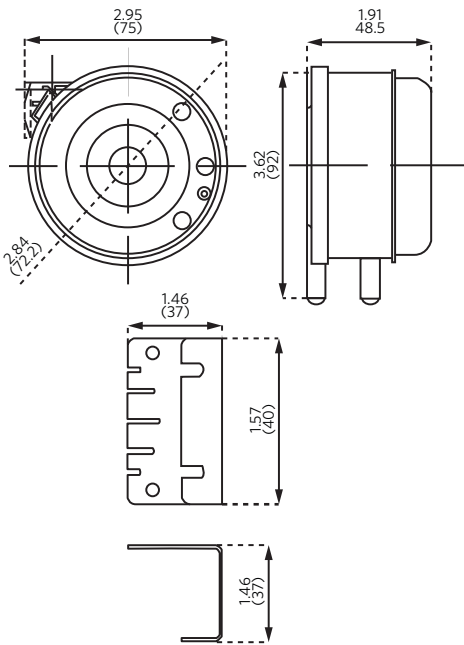
# SERIES 104 Low Cost Differential Pressure Switch



- High Quality, Low-Cost
- Visual Set Point Indication
- Hassle-Free Field Adjustment Knob
- 2% Repeatability

The Series 104 Differential Pressure Switch is a low-cost easy to use switch for very low pressure applications. The switch can monitor positive, negative, or differential pressure and with an easy to adjust set point knob makes field set up and adjustment hassle free. The differential pressure switch includes a SPDT relay rated for 2A @ 250V and can be set as low as 0.08" w.c. (20 Pa).

## DIMENSIONS



## MODEL NUMBERS

Model Number	Pressure Range in w.c. (Pa)
104-0	0.08 to 1.2 (20 - 300 Pa)
104-1	0.12 to 1.2 (30 - 300 Pa)
104-2	0.20 to 2.00 (50 - 500 Pa)
104-3	0.80 to 4.00 (200 - 1000 Pa)

## SPECIFICATIONS

- Media:** Air and compatible gases
- Max Pressure:** 20" w.c. (5000 Pa)
- Temperature Limits:** 5 to 140°F (-15 to 60°C)
- Electrical Rating:** 2A @ 250 V
- Electrical Connection:** Screw terminals
- Process Connection:** 3/16" I.D. flexible tubing
- Enclosure Rating:** NEMA 13 (IP 54)
- Weight:** 3.5 oz (100 g)
- Accessories:** 6 ft (1.8m) flexible tubing (2) Static pressure fittings C type mounting bracket and mounting screws
- Repeatability:** 2%
- Deadband:** approximately 10% of max set point