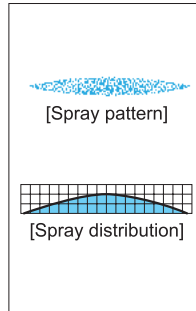
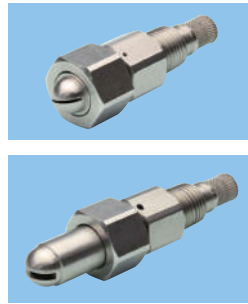


Foaming Spray Nozzles

AWVV

Flat Spray



[Features]

- Sprays detergent.
- Generates large amounts of foam due to air suction only driven by the liquid pressure.
- The long-lasting time of the foam helps to increase the cleaning performance.
- Wide spray angle covering a larger cleaning area.
- Compressor is not required.

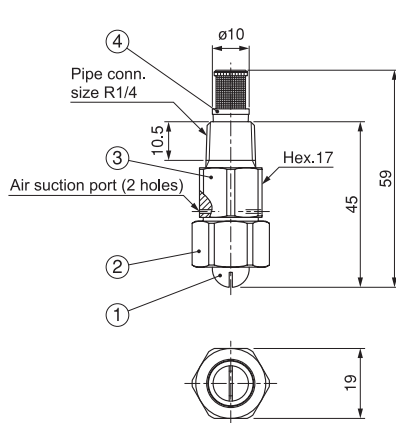
[Standard pressure]

- Cleaning: conveyors, outer surface of vehicles, factory floors/walls

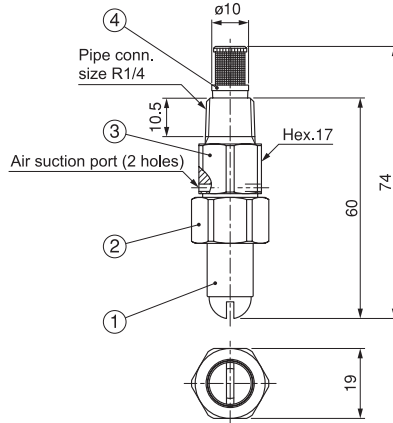
AWVV series

AWVV series	
Structure	<ul style="list-style-type: none"> • Made of metal. • Comprises a nozzle tip, cap, adaptor, and strainer.
Material	<ul style="list-style-type: none"> • S303
Mass	<ul style="list-style-type: none"> • Spray capacity code 10: 60 g • Spray capacity code 30 and 50: 65 g

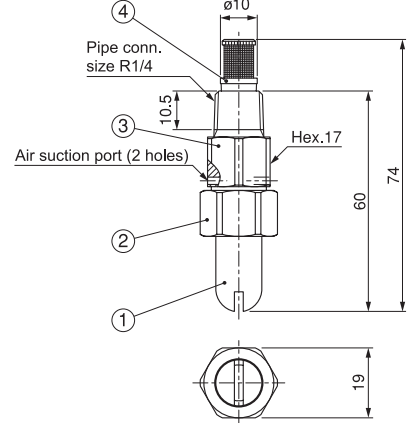
Spray capacity code 10



Spray capacity code 30



Spray capacity code 50



① Nozzle tip ② Cap ③ Adaptor ④ Strainer

[Note] Appearance and dimensions may differ slightly depending on materials and nozzle codes.

Spray angle code	Spray capacity code	Liquid	Spray angle* (°)			Spray capacity (ℓ/min)						Strainer mesh size
			0.1 MPa	0.3 MPa	0.6 MPa	0.1 MPa	0.2 MPa	0.3 MPa	0.4 MPa	0.5 MPa	0.6 MPa	
100	10	Water	50	105	116	0.58	0.82	1.00	1.15	1.29	1.41	50
		Detergent	55	100	116							
	30	Water	75	105	113	1.73	2.45	3.00	3.46	3.87	4.24	
		Detergent	82	100	113							
	50	Water	75	105	113	2.89	4.08	5.00	5.77	6.45	7.07	
		Detergent	82	100	113							
80	10	Water	40	80	100	0.58	0.82	1.00	1.15	1.29	1.41	
		Detergent	—	80	100							
	30	Water	57	80	95	1.73	2.45	3.00	3.46	3.87	4.24	
		Detergent	57	80	95							
	50	Water	57	80	95	2.89	4.08	5.00	5.77	6.45	7.07	
		Detergent	57	80	95							

*Spray angle for detergent is measured for reference only, when spraying commercial dishwasher detergent diluted 100 times.

How to order

Please inquire or order for a specific nozzle using this coding system.

<Example> 1/4M AWVV 10010 S303W

1/4M AWVV 100 10 S303W

Spray angle code	Spray capacity code
■ 100	■ 10
■ 80	■ 30
	■ 50