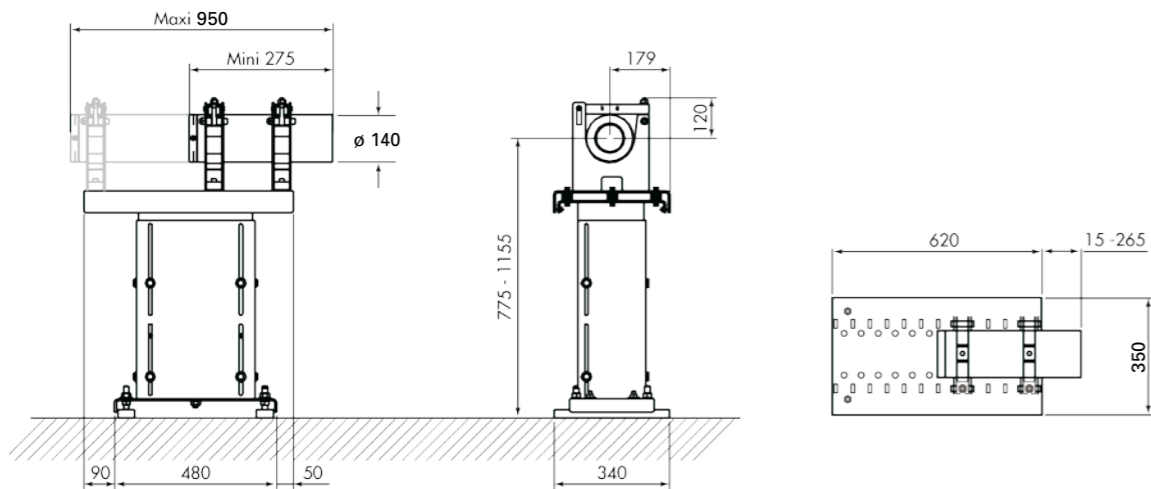
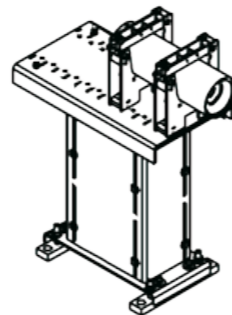


Develops in Switzerland!
From inventor of the short barfeeder

Technical data

SAMSPINDLE

Specification	SamSpindle
Diameter	ø 10 – 65 mm
Cartridge length	275 – 950 mm
Spindle height	875 – 1164 mm (1000 - 1290 mm*)
Guiding elements	2 – 6 pcs.
Turning speed	max. 6500 rpm
Compatible with	Multi 3000



Samsys GmbH offers to all their sold products ever-present spare parts, including the brand Samemeca. Our team possess the necessary know-how to support you in your service queries for all of our 30 years produced barfeeder systems.

Your distributor



SAMSYS GmbH
Obere Schanzenstr. 1-7 | D-55232 Alzey
Tel.: +49 (0) 6731 / 99 89 95-0 | Fax: +49 (0) 6731 / 45 33 6
E-Mail: contact@samsys.eu | www.samsys.eu

© Samsys_SamSpindle_eng_2014-12_A2



feeding the performance



Develops in Switzerland!
From inventor of the short barfeeder

SAMSPINDLE

Technically always one step ahead



The High-Speed Extension

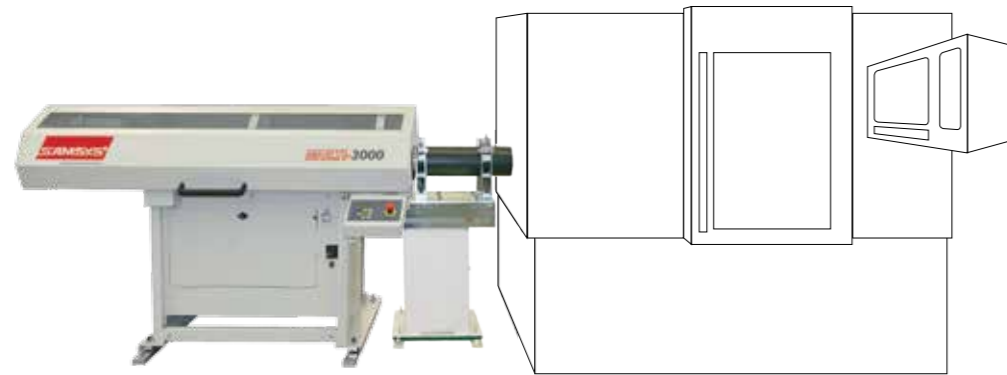
The high-performance short bar feeder complement

feeding the performance

www.samsys.eu

SAMSPINDLE The High-Speed Extension

FAST, HIGH-PERFORMANCE, COST-EFFECTIVE

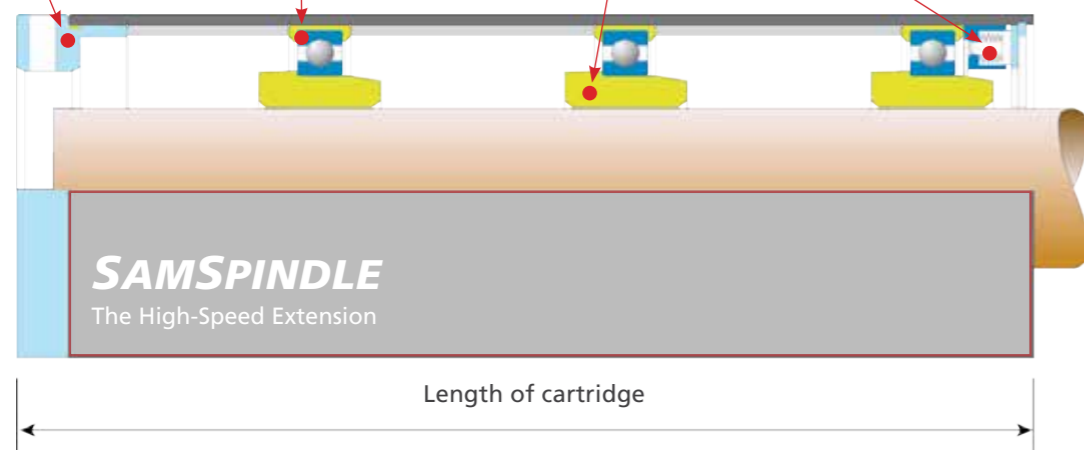


Cassette mounted, safety lock-nut **A** locked.

the anti-vibration coating of guide element **B** moulds itself to the support tube under the influence of the **D** compression elements.

The elastomer guide sleeve **C** are calibrated according to the bars.

A Safety lock-nut **B** Guide element **C** Guide sleeve **D** Compression element



Standard lengths	275	350	425	500	575	650	725	800	875	950
Number of guide elements	2	2	3	3	4	4	5	5	6	6

Configure your SamSpindle on our website www.samsys.eu !

- 1 Define the cartridge length.
- 2 Select the number and capacity of the guide elements.
- 3 Define the guide sleeve.

feeding the performance



The SAMSPINDLE

A reliable, simple and clean solution. The existing models are continuously developed and adapted to frequently changing requirements.

No mechanical link between SamSpindle and your lathe.

Clean, simple, and secure

Guiding technique

The bar is held in the centre of a supporting tube by guide rings mounted in the captive bearings of the SamSpindle cartridge.

This technique permits the highspeed turning of round or profiled bars, whilst ensuring remarkably smooth running.

High rotation speeds

It is possible to process drawn, round or profiled bars of the appropriate straightness at maximum speeds of the lathe spindle whilst guaranteeing high precision parts.

Safety

SamSpindle offers maximum safety.

No access is possible to the moving parts. The moving parts (bar, guide rings, bearings) are all captive in the SamSpindle cartridge which in turn is safeguarded by a safety lock-nut.

The SamSpindle cartridge is locked by safety clamps interfaced at the lathe via the feeder. The lathe spindle rotation can only be enabled if the clamps of the SamSpindle cartridge are correctly locked.

A reliable, simple and clean solution

SamSpindle functions without oil.

There is no mechanical link with the lathe. The number of moving parts is kept to a minimum, i. e.

- The rotating bar
- The guide bushes
- The interior cage of the ball bearings

The facts:

- The bar rotates independently in the axis of the spindle
- The masses in movement are reduced to a bare minimum
- No friction; the moving parts rotate at a synchronous speed
- The vibrations are absorbed by the guide rings and the anti-vibration coatings
- The whole interior of the safety cartridge is generously dimensioned

Maintenance

Bearings lubricated for life.

The speed of the guide sleeve **C** is the rod speed sync. This ensures an exceptionally long service life.

