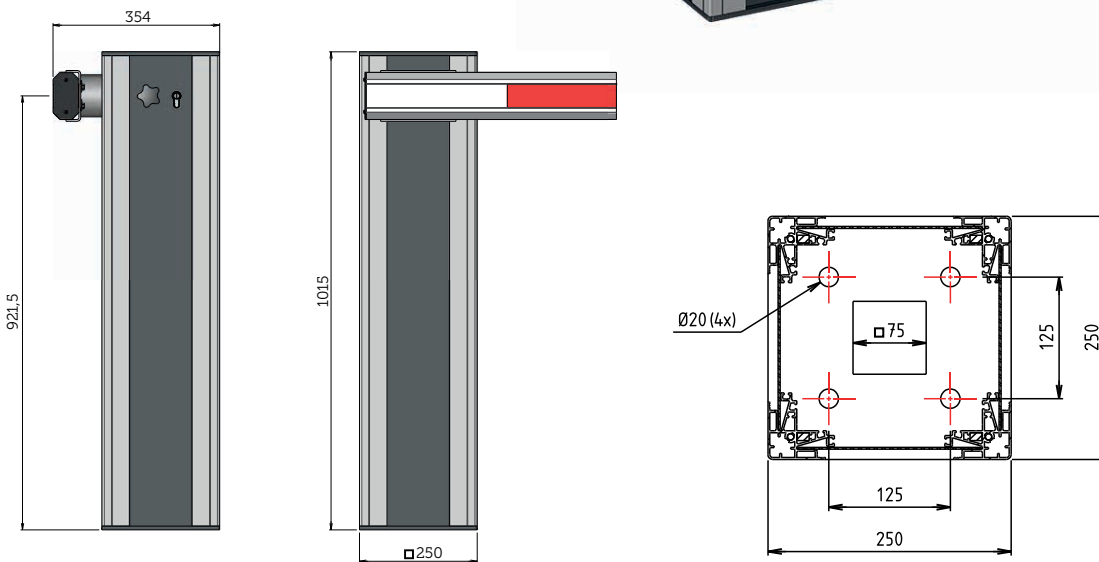
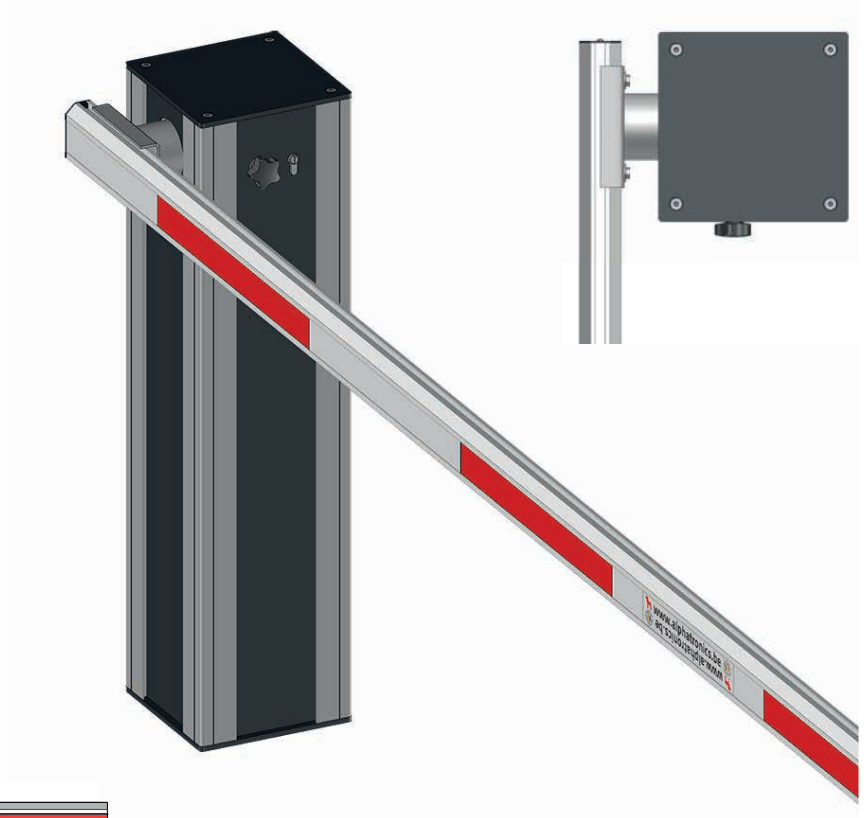


MANUBAR

Manual barrier from 2 to 7 meter

- Easy installation
- No maintenance required
- Smooth operation
- Without counterweight - with gas spring
- RAL7016 Textured varnish



Technical specifications	
Length of the barrier boom	2 to 7 meter
Corner profiles	Natural anodized aluminum
Side panels, base plate and roof	RAL7016 Textured varnish
Housing dimensions - W x D x H	250 x 250 x 1015 mm
Barrier boom positioning	Left or right hand version
Barrier boom dimensions - W x D x L (mm)	100 x 55 x length for 2 - 5 meter - Round boom \varnothing 80 mm for 6 & 7 meter
Spring	Gas spring mounted in housing (vandal-proof)
Operating temperature	-30°C to +80°C
IP Protection	54
Fixed support / swinging support	Optional (obligatory from 4 m)
Lock	Eurocylinder lock, can be locked in a vertical or horizontal position
Warranty	2 years

