

TX/TXE

TERMINAL BLOCK MARKING

- Terminal block marking with rapid snap mounting of entire marker strips.
- Robust, stays firmly in place, withstands shaking and vibrations.
- Excellent legibility.
- Horizontal or vertical text, max. 2 lines.
- Suitable for several terminal blocks of different widths.
- Can be supplied with customized texts and lengths.
- Can be printed on site with Partex MK-1 mini plotter

GENERAL INFORMATION

Design

Terminal block marking with strong hooks for safe snap mounting. TX-96 matches Phoenix, Wago, Entrelec. TX-61051 matches Weidmüller. The terminal block marking is also available as neutral/unprinted markers for marking on site, for instance in Partex miniplotter MK1.

Material

Cadmium free, stiff PVC material of Partex formula.

Colours

White or orange (PVC).

Text

Alphanumerical and special characters.

Customization

Lengths and text can be customized. Text can be adapted for horizontal or vertical terminal block assembly.

For more information, please contact Partex.

Range of temperature

Shape permanence between -30°C and $+60^{\circ}\text{C}$ (-22°F to $+140^{\circ}\text{F}$) (PVC).

Resistance

The product is tested according to Partex Product Test Programme by the Swedish Test and Research Institute and has the following test properties:

- Flammability resistance according to L94-V0.
- Resistant to UV radiation, corresponding to 1 year outdoors in the south of Sweden.
- Resistance to chemicals meets Partex Product Test Programme.
- Resistance to temperature and ageing meets norms of Partex Product Test Programme.

For application in hostile environments, please contact Partex for information.

DIMENSIONS IN MM (NOMINAL)

Article number	1 marker length (L1)	10 markers length (L2)	Width (W)	Height (H)
TX-96050P* x	5	50,0	9,6	4
TX-96052P* x	5,2	52,0	9,6	4
TX-96060P* x	6	60,0	9,6	4
TX-96062P* x	6,2	62,0	9,6	4
TX-96073P* x	7,3	73,0	9,6	4
TX-96080P* x	8	80,0	9,6	4
TX-96082P* x	8,2	82,0	9,6	4
TX-96100P* x	10	100,0	9,6	4
TX-96102P* x	10,2	102,0	9,6 </td <td>4</td>	4
TX-96120P* x	12,0	72,0	9,6	4
TX-96141P* x	14,1	84,6	9,6	4
TX-96151P* x	15,1	90,6	9,6	4
TX-61051P* x	5,1	51,0	6,1	2,8

Measurements specified in the table can vary within manufacturing tolerance limits.
 x = 3 or 9 (3 = orange, 9 = white, P = strips).
 * = B or N (B = ready printed etching ink jet print; N= unprinted neutral marker.
 Standard 10 markers/strip (96120P, 96141P and 96151P has 6 markers/strip).

N.B! When ordering please note terminal block manufacturer and designation as widths may vary.
 Please also note horizontal or vertical text.



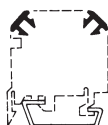
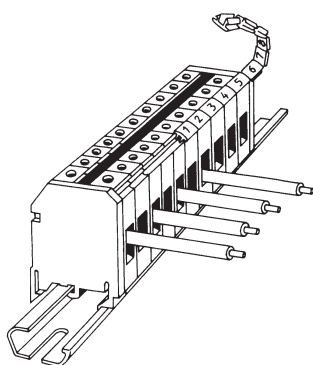
SIZES AND PACKAGING

Article number	Intended for block width (mm)	Max. no. markers/line			Text height (mm)	Max. no. lines	Qty stripes/bag	Qty markers/stripes
		Horizontal M2 M3	Vertical M2	Vertical M3				
TX-96050P*x	5	2	3	4	2,6	2	10 pcs	10
TX-96052P*x	5.2	2	3	4	2,6	2	10 pcs	10
TX-96060P*x	6	3	3	4	2,6	2	10 pcs	10
TX-96062P*x	6.2	3	3	4	2,6	2	10 pcs	10
TX-96073P*x	7.3	3	3	4	2,6	2	10 pcs	10
TX-96080P*x	8	4	3	4	2,6	2	10 pcs	10
TX-96082P*x	8.2	4	3	4	2,6	2	10 pcs	10
TX-96100P*x	10	5	3	4	2,6	2	10 pcs	10
TX-96102P*x	10.2	5	3	4	2,6	2	10 pcs	10
TX-96120P*x	12	6	3	4	2,6	2	10 pcs	6
TX-96141P*x	14.1	7	3	4	2,6	2	10 pcs	6
TX-96151P*x	15.1	8	3	4	2,6	2	10 pcs	6
TX-61051P*x	5.1	3	-	-	2,6	2	10 pcs	10

* = B = ready printed black etching ink jet print; N = neutral unprinted markers.
 M2 = ready printed customized etching ink jet print from Partex. Text height 2,6 mm

M3 = on site printing with MK1 mini plotter.
 Standard colours: x = 9 = white; = 3 = orange.

APPLICATION



Horizontal



Vertical

