



GERMAN  
DESIGN  
AWARD  
WINNER  
2021

# E4Q

## The next generation of easy-to-assemble e-chains® **New**



### Advantages of the E4Q system:

- 40% faster filling compared to E4.1 system - crossbar designed for tool-free opening and closing
- 10% less weight compared to E4.1 system - material recesses for optimised weight and strength
- Stronger compared to the E4.1 system - vertically and horizontally positioned stop-dogs for the best stability depending on the type of installation
- 17dB(A) less noise than 4040C series - optional noise dampening can be retrofitted at any time



### When to use another e-chain® series:

- When a fully enclosed e-tube with similar strength and size is required  
▶ E4.1 page 616
- When an e-chain® must fulfil ISO Class 1 cleanroom standard  
▶ E6.1, page 832
- When a light, cost-effective echain®/e-tube with higher dynamics is needed  
▶ E4.1L, page 538

Attachment from any side: with KMA mounting brackets

40% faster filling<sup>1)</sup>: crossbar designed for tool-free opening and closing

15% higher pull-out strength of the crossbars<sup>1)</sup>: strong connection to the e-chain<sup>®</sup>

10% less weight<sup>1)</sup>: material recesses for optimised weight and strength

More strength<sup>1)</sup>: vertically and horizontally positioned stop-dogs for the best stability depending on the type of installation

17dB(A) less noise<sup>2)</sup>: optional noise dampening, can be retrofitted, upon request

1) Compared to E4.1 system  
2) Compared to 4040C series

# The next generation of easy-to-assemble e-chains<sup>®</sup> - E4Q

## Easy opening and closing, without tools

The latest E4Q e-chains<sup>®</sup> generation combines proven design features of the 12-year old, E4.1 e-chain<sup>®</sup> standard with new organic design and a novel opening mechanism. This gives the E4Q an even longer service life and significantly improved ease of installation.

- Tool-free opening and closing
- Sustainability - 10% less material means 10% less energy consumption during production
- Short cross-bar pickup for even easier filling of the e-chain<sup>®</sup>
- Optimised interior geometry for longer cable service life
- Novel integrated grid structure on crossbars for fixed interior separation with narrower separators
- Inner/outer link principle for straight run
- Undercut design ensures the best hold as well as high lateral and torsion strength

## Typical industries and applications

- Machine tools ● Cranes ● Automation systems



Series	Inner height <i>hi</i> [mm]	Inner width <i>Bi</i> [mm]	Outer width <i>Ba</i> [mm]	Outer height <i>ha</i> [mm]	Bend radius <i>R</i> [mm]	Unsupported length ≤ [m]	Page
--------	--------------------------------	-------------------------------	-------------------------------	--------------------------------	------------------------------	--------------------------	------



**e-chains<sup>®</sup> with crossbars every link**  
the all-rounder - and for particularly demanding applications  
Please observe the guidelines for the e-chains<sup>®</sup> selection, further information ► From page 114

E4Q.34 <sup>1)</sup> <b>New</b>	34	075 - 250	98 - 273	54	063 - 300	3.60	592
E4Q.44 <sup>1)</sup> <b>New</b>	44	075 - 250	101 - 276	64	075 - 350	4.00	598
E4Q.58 <b>New</b>	58	100 - 362	134 - 397	84	135 - 500	5.00	604
E4Q.82 <b>New</b>	82	100 - 362	150 - 413	108	150 - 1,000	6.20	610



**e-chains<sup>®</sup> with crossbars every 2<sup>nd</sup> link**  
the cost-effective, easy-to-install alternative for almost all applications  
Please observe the guidelines for the e-chains<sup>®</sup> selection, further information ► From page 114

H4Q.34 <sup>1)</sup> <b>New</b>	34	075 - 250	98 - 273	54	063 - 300	3.60	592
H4Q.44 <sup>1)</sup> <b>New</b>	44	075 - 250	101 - 276	64	075 - 350	4.00	598
H4Q.58 <b>New</b>	58	100 - 362	134 - 397	84	135 - 500	5.00	604
H4Q.82 <b>New</b>	82	100 - 362	150 - 413	108	150 - 1,000	6.20	610

1) Available widths and radii available from spring 2021.

**Available from stock. Ready to ship in 24 - 48hrs.\***  
\*Average time before the ordered goods are dispatched.



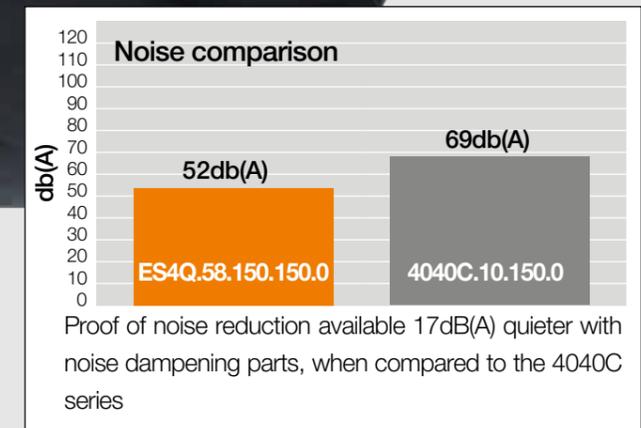
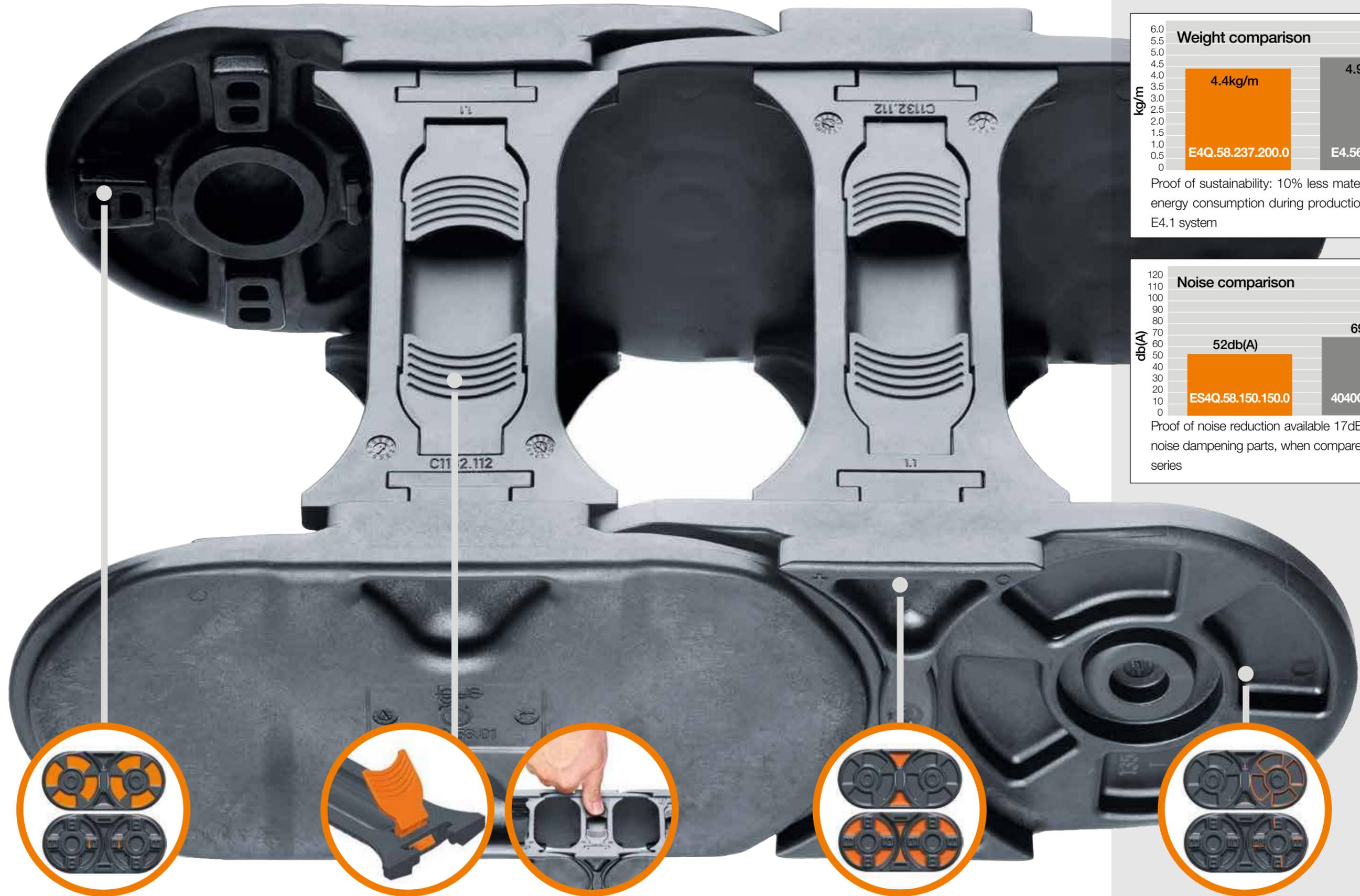
Easy handling - opening and closing of an e-chain<sup>®</sup> without tools, save up to 40% assembly time compared to E4.1 series

# The E4Q innovation | Design principle

Open and close easily without tools ...

# The E4Q innovation | Design principle | Proof

... simple handling



Optional noise dampening - new system for noise reduction. 17dB(A) quieter than 4040C series

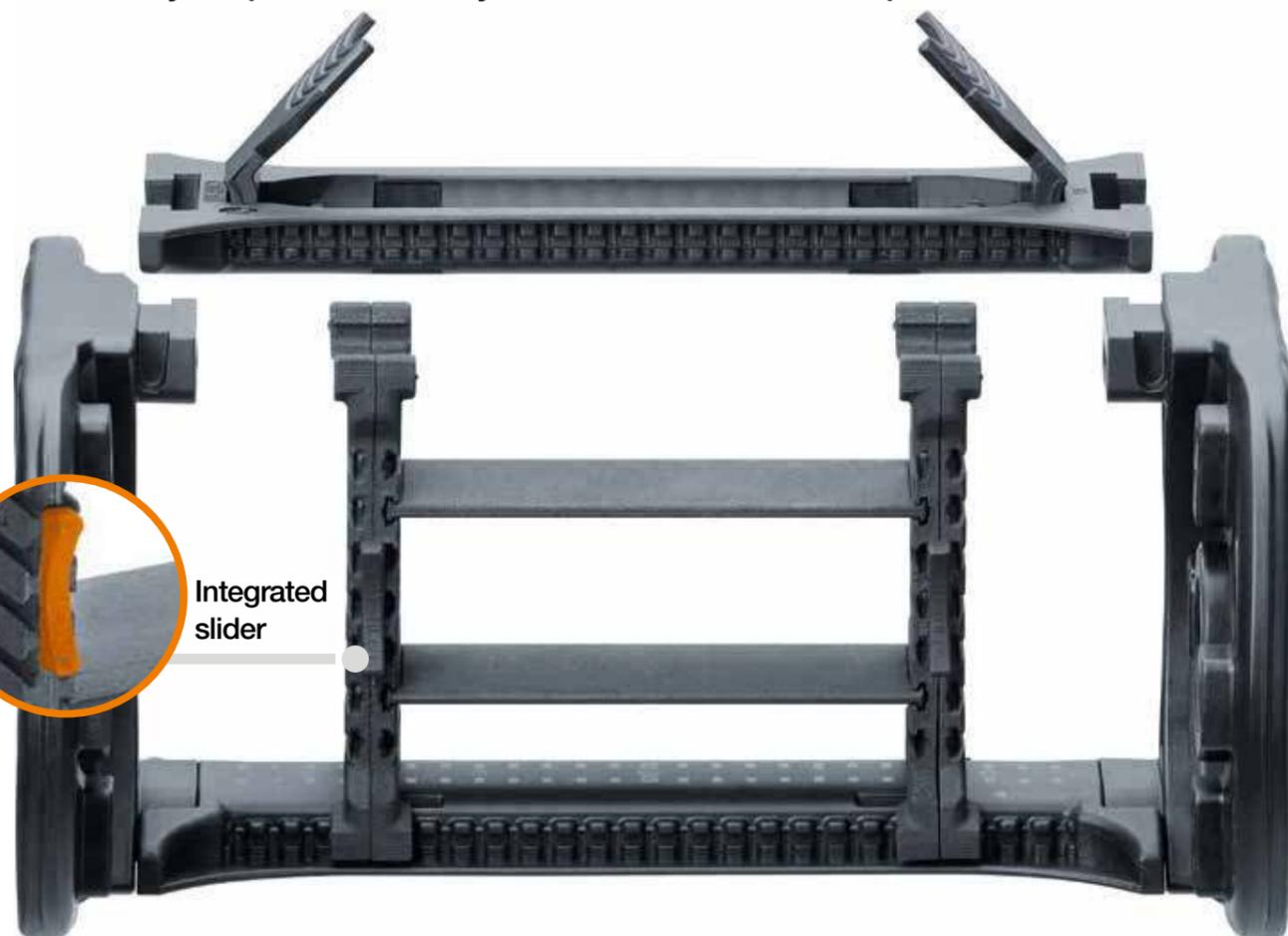
Open and close the E4Q e-chain® easily without tools. 40% faster assembly or filling compared to E4.1 system

Lighter structure of the e-chain® links due to material saving. 10% less weight compared to E4.1 system.

More strength and a higher unsupported length compared to the E4.1 system due to vertical and horizontal stop-dogs

## E4Q | Universal interior separation **New**

Particularly simplified assembly with the new universal separators



### Complete flexibility, reliability and ease of assembly in one The new universal system for modular shelving offers complete flexibility:

Depending on accessibility, choose the side from which you want to fit the shelf and whether it is easier to access the inner or outer radius of the e-chain® in order to release the crossbars. The shelves are locked in place by means of the integrated slider and additionally when the crossbar is fitted. Thanks to positive-locking, assembly is possible with virtually no force. Locking is simple and fast but the shelves are strongly captive. To unlock, release the crossbar on the inner or outer radius, depending on accessibility. The new E4Q e-chains® can be opened quickly and without tools. After the crossbar has been released, the shelf can be unlocked by means of the slider and then simply pulled out.



Opening of the lock via integrated slider



Shelf can be used in several layers and securely locked



When the crossbar is inserted, the lock is automatically activated

## E4Q | Interior separation options | Overview

The E4Q interior separation product range is constantly being expanded ...

### Universal interior separation | For even more horizontal separation options

The interior separation elements shown here are exemplary and the number of slots depends on the inner height of the series!



Series	Universal middle plate <sup>1)</sup>	Universal side plate <sup>1)</sup>	Universal separator <sup>1)</sup>	Shelves <sup>1)</sup> lockable (XXX = mm)
E4Q.34 / H4Q.34	34.21	34.22	34.23	S428.XXX
E4Q.44 / H4Q.44	44.21	44.22	44.23	S428.XXX
E4Q.58 / H4Q.58	58.21	58.22	58.23	S428.XXX
E4Q.82 / H4Q.82	82.21	82.22	82.23	S428.XXX

<sup>1)</sup> Available from spring 2021.

### Standard interior separations | Lean separators

The interior separation elements shown here are exemplary and the number of slots depends on the inner height of the series!



Series	Standard separator	Notch separator	Lean notch separator*	Shelves, lockable (X = mm)
E4Q.34 / H4Q.34	34.1 <sup>1)</sup>	34.5 <sup>2)</sup>	34.15 <sup>2)</sup>	3200.X
E4Q.44 / H4Q.44	44.1 <sup>1)</sup>	44.5 <sup>2)</sup>	44.15 <sup>2)</sup>	3200.X
E4Q.58 / H4Q.58	58.1	58.5 <sup>2)</sup>	58.15	520.X
E4Q.82 / H4Q.82	82.1	82.5	82.15	520.X

<sup>1)</sup> Available from spring 2021. <sup>2)</sup> Available upon request. Please consult igus® for delivery time.

\*Note: Please combine a maximum of four lean notch separators with one shelf. Not suitable for side-mounted e-chains®!



Open and close the e-chain® easily without tools



Four stop-dogs for maximum strength in any installation orientation



Less material used where it does not add to the strength



Optional noise dampeners for even quieter operation



KMA mounting brackets with attachment options from any side



Notches in the crossbar for secure grip of the separators



Particularly simplified assembly with the new universal separators



Standard interior separation from the proven E4 modular system available from stock



Lean separators enable extremely fast cable filling in several layers



Strain relief e.g. clamps, tiwrap plates, nuggets, etc. ► From page 1392



Aluminium and steel support tray for support of the lower run ► From page 1362



Super-aluminium trough with low wear glide bar for some series, available from stock ► From page 1298

Technical data

	Speed gliding / acceleration gliding	≤ 10 [m/s] / ≤ 50 [m/s <sup>2</sup> ]
	Speed $FL_G$ / acceleration $FL_G$	≤ 20 [m/s] / ≤ 200 [m/s <sup>2</sup> ]
	Speed $FL_B$ / acceleration $FL_B$	≤ 3 [m/s] / ≤ 6 [m/s <sup>2</sup> ]
	Material - permitted temperature °C, igumid G	-40°C / +120°C
	Flammability class, igumid G	VDE 0304 IIC UL94-HB

■  $FL_G$  = unsupported with straight upper run ■  $FL_B$  = unsupported with permitted sag

Installation types, maximum travels

Series					
	Unsupported	Gliding <sup>1)</sup>	Vertical hanging	Vertical standing	Side mounted unsupported
E4Q.34 / H4Q.34	≤ 7.2m	≤ 200m	≤ 80m	≤ 5.0m	≤ 1.5m
E4Q.44 / H4Q.44	≤ 8.0m	≤ 300m	≤ 100m	≤ 6.0m	≤ 2.0m
E4Q.58 / H4Q.58	≤ 10.0m	≤ 400m	≤ 100m	≤ 6.0m	≤ 2.5m
E4Q.82 / H4Q.82	≤ 12.4m	≤ 400m	≤ 120m	≤ 6.0m	≤ 3.0m

E4Q e-chain® sample request

Are you interested in our new E4Q energy chain? Order your free sample and see the innovative properties for yourself. Request a sample here ► [www.igus.eu/innovation](http://www.igus.eu/innovation)



## Options with order keys | Examples based on series E4Q.58/H4Q.58

 <i>Standard</i>	<i>Optional noise dampers</i>	<i>Simply turn outer side link, no additional rework</i>	<i>Reverse Bend Radius (RBR) for circular movements</i>
Part No. <b>Standard</b>	Part No. <b>Low noise (with pads)</b>	Part No. <b>NC version</b>	Part No. <b>RBR</b>
			
<b>E4Q.58.150.R.0</b> e-chain® with crossbars every link	<b>ES4Q.58.150.R.0</b> e-chain® with crossbars every link	<b>E4Q.58.150.R.0.NC</b> e-chain® with crossbars every link	– <b>RBR is not possible</b>
<b>H4Q.58.150.R.0</b> e-chain® with crossbars every 2 <sup>nd</sup> link	<b>HS4Q.58.150.R.0</b> e-chain® with crossbars every 2 <sup>nd</sup> link	<b>H4Q.58.150.R.0.NC</b> e-chain® with crossbars every 2 <sup>nd</sup> link	– <b>RBR is not possible</b>
 <b>Ready to ship in 24 - 48hrs.*</b>	<b>Delivery time upon request</b>	<b>Ready to ship in 24 - 48hrs.*</b>	

<i>Unsupported lengths +25% possible</i>	<i>ESD - electrically conductive material</i>
Part No. <b>XXL material</b>	Part No. <b>igumid ESD</b>
	
<b>E4Q.58.150.R.0.XXL</b> e-chain® with crossbars every link <sup>1)</sup>	<b>E4Q.58.150.R.0.ESD</b> e-chain® with crossbars every link
<b>H4Q.58.150.R.0.XXL</b> e-chain® with crossbars every 2 <sup>nd</sup> link <sup>1)</sup>	<b>H4Q.58.150.R.0.ESD</b> e-chain® with crossbars every 2 <sup>nd</sup> link
<b>Ready to ship in 12 business days*</b>	<b>Delivery time upon request</b>

\*Average time before the ordered goods are dispatched.  
1) Side-bands made from XXL material 2) Available upon request. Delivery time upon request

## Order example | Examples based on series E4Q.58

 **Order example for complete e-chain® (3.0m), colour black, with mounting brackets and interior separation:**

<b>e-chain® (3.0m)</b>	Please indicate e-chain® length or number of links: 3.0m or 33 links	<b>E4Q.58.150.R.0</b>
<b>+ Mounting brackets</b>	1 set (with odd number of links and integrated C-profiles)	<b>E4Q.582.150.1.12.C</b>
<b>Interior separation</b>	with 2 separators assembled every 2 <sup>nd</sup> link	<b>2 x 58.1.1</b>
<b>Order text:</b>	<b>3m E4Q.58.150.300.0 + E4Q.582.150.1.12.C + 2 x 58.1.1</b>	

## Order key and colour examples | Examples based on series E4Q.58/H4Q.58

 **Order key**

e-chain® with crossbars every link **E4Q.58.150.300.0**  
e-chain® with crossbars every 2<sup>nd</sup> link **H4Q.58.150.300.0**

Series / Type	Inner height	Width index (depends on B)	Bend radius R	Colour index (standard black)

**Order index for colour options**

Colour	Order index	Colour	Order index
<b>Black</b>	Standard .0	<b>Orange</b>	Special colour .2
<b>Silver-grey</b>	Special colour .31	<b>Yellow</b>	Special colour .4
<b>White</b>	Special colour .1	<b>Light grey</b>	Special colour .14
<b>Grey-white</b>	Special colour .1S		

**Black e-chains® ready to ship in 24 - 48hrs.\***  
Above special colours upon request.



**Series E4Q.34 | Crossbars every link** (crossbars removable along the inner and outer radius)  
**Series H4Q.34 | Crossbars every 2<sup>nd</sup> link** (crossbars removable along the inner and outer radius)

Part No. e-chains®	Bi [mm]	Ba [mm]	E4Q.34 [kg/m]	H4Q.34 [kg/m]	Part No. e-chains®	Bi [mm]	Ba [mm]	E4Q.34 [kg/m]	H4Q.34 [kg/m]
E4Q.34.1) H4Q.34.1) 075.R.0	75	98	≈ 1.61	1.43	E4Q.34.* H4Q.34.* 237.R.0	237	261	≈ 2.28	≈ 1.76
E4Q.34.1) H4Q.34.1) 087.R.0	87	111	≈ 1.65	≈ 1.45	E4Q.34.1) H4Q.34.1) 250.R.0	250	273	≈ 2.32	≈ 1.78
E4Q.34.1) H4Q.34.1) 100.R.0	100	123	≈ 1.70	≈ 1.47	E4Q.34.* H4Q.34.* 262.R.0	262	286	≈ 2.36	≈ 1.81
E4Q.34.1) H4Q.34.1) 108.R.0	108	131	≈ 1.73	≈ 1.49	E4Q.34.* H4Q.34.* 275.R.0	275	298	≈ 2.41	≈ 1.83
E4Q.34.* H4Q.34.* 112.R.0	112	136	≈ 1.74	≈ 1.49	E4Q.34.* H4Q.34.* 287.R.0	287	311	≈ 2.46	≈ 1.85
E4Q.34.1) H4Q.34.1) 125.R.0	125	148	≈ 1.79	≈ 1.52	E4Q.34.* H4Q.34.* 300.R.0	300	323	≈ 2.51	≈ 1.88
E4Q.34.* H4Q.34.* 137.R.0	137	161	≈ 1.83	≈ 1.54	E4Q.34.* H4Q.34.* 312.R.0	312	336	≈ 2.55	≈ 1.90
E4Q.34.1) H4Q.34.1) 150.R.0	150	173	≈ 1.96	≈ 1.60	E4Q.34.* H4Q.34.* 325.R.0	325	348	≈ 2.60	≈ 1.92
E4Q.34.* H4Q.34.* 162.R.0	162	186	≈ 2.00	≈ 1.63	E4Q.34.* H4Q.34.* 337.R.0	337	361	≈ 2.64	≈ 1.94
E4Q.34.1) H4Q.34.1) 168.R.0	168	191	≈ 2.03	≈ 1.64	E4Q.34.* H4Q.34.* 350.R.0	350	373	≈ 2.69	≈ 1.97
E4Q.34.1) H4Q.34.1) 175.R.0	175	198	≈ 2.06	≈ 1.65	E4Q.34.* H4Q.34.* 362.R.0	362	386	≈ 2.73	≈ 1.99
E4Q.34.* H4Q.34.* 187.R.0	187	211	≈ 2.10	≈ 1.67	E4Q.34.* H4Q.34.* 375.R.0	375	398	≈ 2.78	≈ 2.01
E4Q.34.1) H4Q.34.1) 200.R.0	200	223	≈ 2.15	≈ 1.70	E4Q.34.* H4Q.34.* 387.R.0	387	411	≈ 2.82	≈ 2.03
E4Q.34.* H4Q.34.* 212.R.0	212	236	≈ 2.19	≈ 1.72	E4Q.34.* H4Q.34.* 400.R.0	400	423	≈ 2.90	≈ 2.08
E4Q.34.* H4Q.34.* 225.R.0	225	248	≈ 2.24	≈ 1.74					

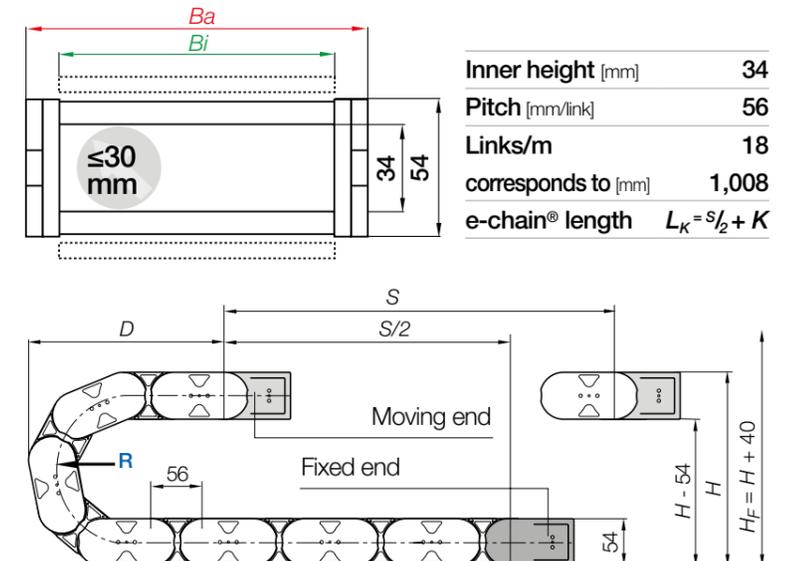
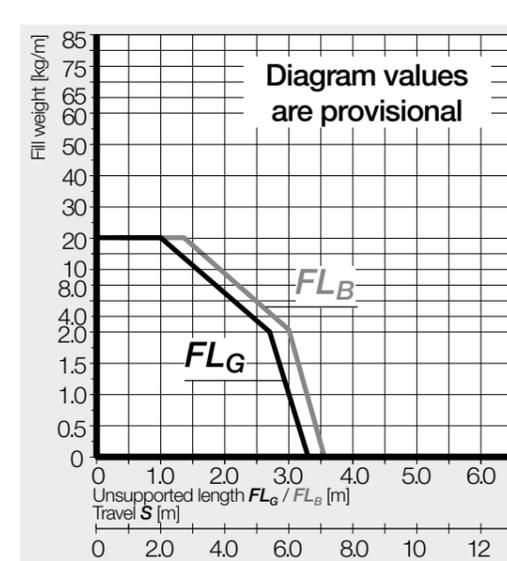
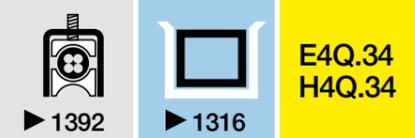
\*Width available upon request. Available upon request. 1) Width available from spring 2021. 2) Radius available from spring 2021.

**Available bend radii**

R [mm] | 063<sup>2)</sup> | 075<sup>2)</sup> | 100<sup>2)</sup> | 125<sup>2)</sup> | 150<sup>2)</sup> | 175<sup>2)</sup> | 200<sup>2)</sup> | 220<sup>2)</sup> | 250<sup>2)</sup> | 300<sup>2)</sup>

Complete Part No. with required radius (R). Example:

E4Q.34.150.150.0 = crossbars every link / E4Q.34.150.150.0 = crossbars every 2<sup>nd</sup> link

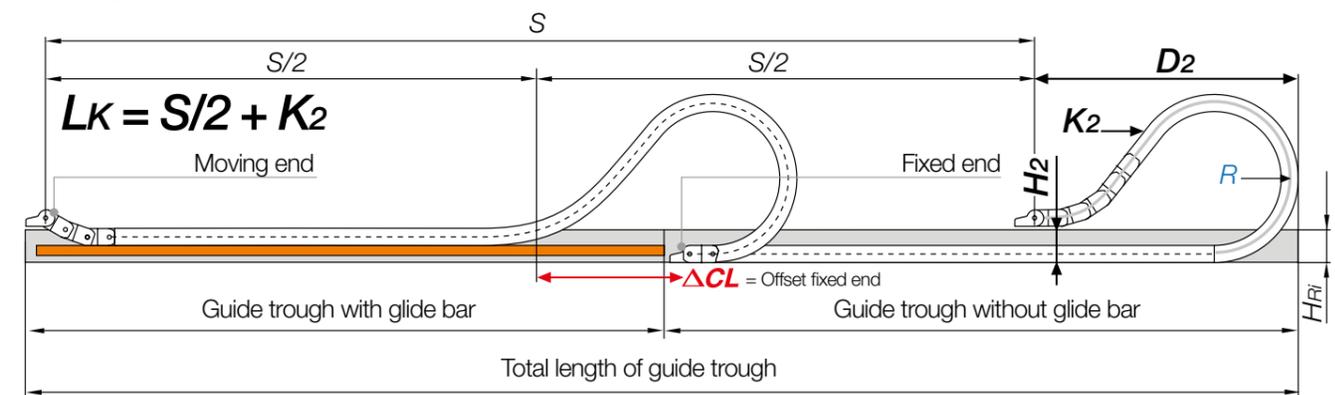


R	063 <sup>2)</sup>	075 <sup>2)</sup>	100 <sup>2)</sup>	125 <sup>2)</sup>	150 <sup>2)</sup>	175 <sup>2)</sup>	200 <sup>2)</sup>	220 <sup>2)</sup>	250 <sup>2)</sup>	300 <sup>2)</sup>
H + 20	180	204	254	304	354	404	454	494	554	654
D	174	186	211	236	261	286	311	331	361	411
K	310	350	430	505	585	665	745	805	900	1,055

The required clearance height:  $H_F = H + 40\text{mm}$  (with 2.0kg/m fill weight)

2) Radius available from spring 2021.

**Gliding applications | For travel lengths from 10m to max. 200m**

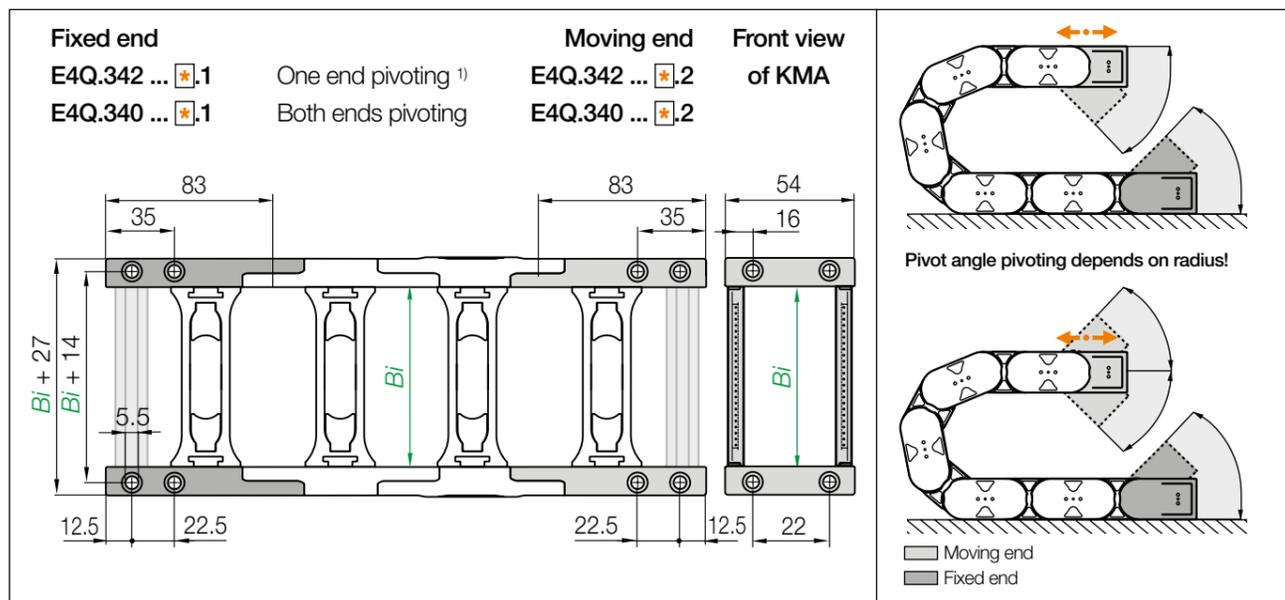


**Note:** We recommend the project planning of such a system to be carried out by igus®.

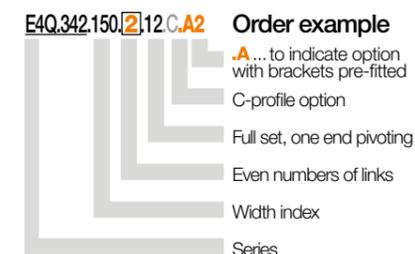
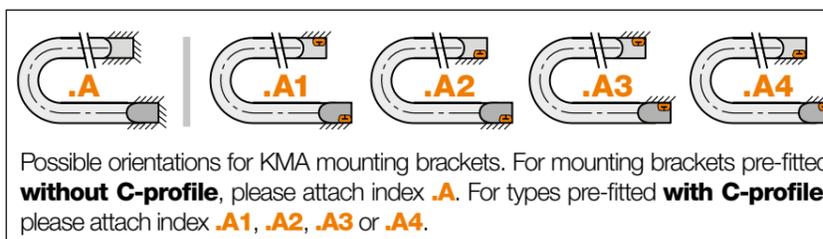
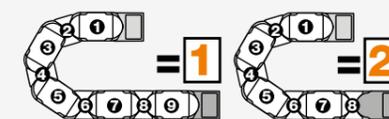
In case of travels between 7 and 10m we recommend an e-chain® with a longer unsupported length.

R	063 <sup>2)</sup>	075 <sup>2)</sup>	100 <sup>2)</sup>	125 <sup>2)</sup>	150 <sup>2)</sup>	175 <sup>2)</sup>	200 <sup>2)</sup>	220 <sup>2)</sup>	250 <sup>2)</sup>	300 <sup>2)</sup>
H <sub>2</sub>	126	150	166	166	166	166	166	166	166	166
D <sub>2</sub> <sup>+25</sup>	146	158	370	470	500	655	770	900	930	1,100
K <sub>2</sub>	310	350	616	784	896	1,120	1,288	1,456	1,568	1,904
ΔCL	-	-	160	210	240	370	460	540	570	690

2) Radius available from spring 2021.



**Note:** The e-chains® may end with either an inner or an outer side link. An outer side link should always be the first e-chain® link at the moving end. Please specify the index **1** (for odd) or **2** (for even) depending on an even or odd number of links required.



**Strain relief** e.g. clamps, tie-wrap plates, nuggets and clips are available from stock. The complete chainfix range with ordering options ► From page 1392

**One end pivoting <sup>1)</sup>** | Recommended for unsupported, vertical hanging, standing applications  
**Both ends pivoting** | Recommended for gliding applications

Width index	Part No. KMA full set			Width index	Part No. KMA full set		
	One end pivoting <sup>1)</sup>	Both ends pivoting	Bi [mm]		One end pivoting <sup>1)</sup>	Both ends pivoting	Bi [mm]
075	E4Q.342.075 .12.C <sup>2)</sup>	E4Q.340.075 .12.C <sup>2)</sup>	75	237	E4Q.342.237 .12.C <sup>**</sup>	E4Q.340.237 .12.C <sup>**</sup>	237
087	E4Q.342.087 .12.C <sup>2)</sup>	E4Q.340.087 .12.C <sup>2)</sup>	87	250	E4Q.342.250 .12.C <sup>2)</sup>	E4Q.340.250 .12.C <sup>2)</sup>	250
100	E4Q.342.100 .12.C <sup>2)</sup>	E4Q.340.100 .12.C <sup>2)</sup>	100	262	E4Q.342.262 .12.C <sup>**</sup>	E4Q.340.262 .12.C <sup>**</sup>	262
108	E4Q.342.108 .12.C <sup>2)</sup>	E4Q.340.108 .12.C <sup>2)</sup>	108	275	E4Q.342.275 .12.C <sup>**</sup>	E4Q.340.275 .12.C <sup>**</sup>	275
112	E4Q.342.112 .12.C <sup>**</sup>	E4Q.340.112 .12.C <sup>**</sup>	112	287	E4Q.342.287 .12.C <sup>**</sup>	E4Q.340.287 .12.C <sup>**</sup>	287
125	E4Q.342.125 .12.C <sup>2)</sup>	E4Q.340.125 .12.C <sup>2)</sup>	125	300	E4Q.342.300 .12.C <sup>**</sup>	E4Q.340.300 .12.C <sup>**</sup>	300
137	E4Q.342.137 .12.C <sup>**</sup>	E4Q.340.137 .12.C <sup>**</sup>	137	312	E4Q.342.312 .12.C <sup>**</sup>	E4Q.340.312 .12.C <sup>**</sup>	312
150	E4Q.342.150 .12.C <sup>2)</sup>	E4Q.340.150 .12.C <sup>2)</sup>	150	325	E4Q.342.325 .12.C <sup>**</sup>	E4Q.340.325 .12.C <sup>**</sup>	325
162	E4Q.342.162 .12.C <sup>**</sup>	E4Q.340.162 .12.C <sup>**</sup>	162	337	E4Q.342.337 .12.C <sup>**</sup>	E4Q.340.337 .12.C <sup>**</sup>	337
168	E4Q.342.168 .12.C <sup>2)</sup>	E4Q.340.168 .12.C <sup>2)</sup>	168	350	E4Q.342.350 .12.C <sup>**</sup>	E4Q.340.350 .12.C <sup>**</sup>	350
175	E4Q.342.175 .12.C <sup>2)</sup>	E4Q.340.175 .12.C <sup>2)</sup>	175	362	E4Q.342.362 .12.C <sup>**</sup>	E4Q.340.362 .12.C <sup>**</sup>	362
187	E4Q.342.187 .12.C <sup>**</sup>	E4Q.340.187 .12.C <sup>**</sup>	187	375	E4Q.342.375 .12.C <sup>**</sup>	E4Q.340.375 .12.C <sup>**</sup>	375
200	E4Q.342.200 .12.C <sup>2)</sup>	E4Q.340.200 .12.C <sup>2)</sup>	200	387	E4Q.342.387 .12.C <sup>**</sup>	E4Q.340.387 .12.C <sup>**</sup>	387
212	E4Q.342.212 .12.C <sup>**</sup>	E4Q.340.212 .12.C <sup>**</sup>	212	400	E4Q.342.400 .12.C <sup>**</sup>	E4Q.340.400 .12.C <sup>**</sup>	400
225	E4Q.342.225 .12.C <sup>**</sup>	E4Q.340.225 .12.C <sup>**</sup>	225				

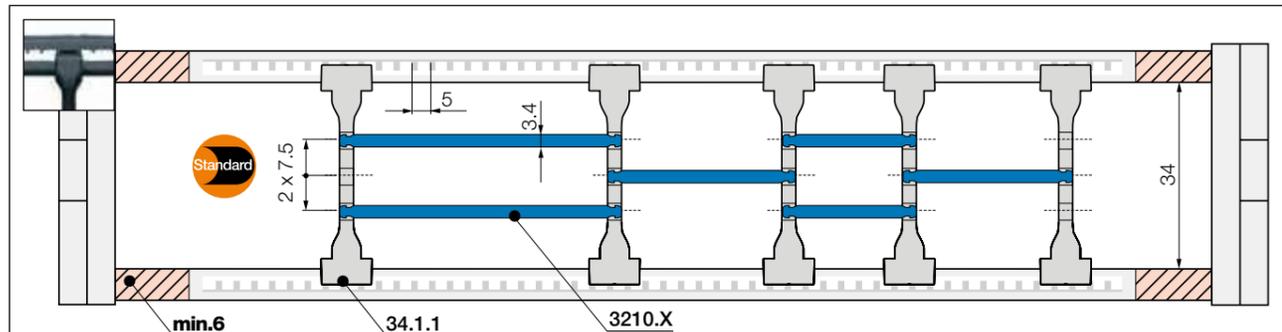
1) One end pivoting - standard for E4Q mounting brackets. For the C-profile option please add index .C.  
 2) Width available from spring 2021. \*\*Width available upon request. Please consult igus® for delivery time. (KMA = polymer metal mounting bracket)

**Aluminium support tray**

- Corrosion-resistant and seawater-resistant aluminium rails with adjustable width
  - Noise-reducing glide strip integrated as standard
  - Easy installation and connection of the e-chain®
  - Open design - dirt and debris fall through
- More information ► From page 1362**



The new E4Q combines innovative design with a new level of strength and robustness



**Note:** Please be aware of the minimum lateral gap to the side links! **e-chain®: 6mm**  
As standard separators are fitted every 2<sup>nd</sup> e-chain® link!

**Standard separator, wide base**

unassembled	34.1
assembled	34.1.1

**Standard - for any application**  
Separator with a wide base for maximum holding force.

**Shelf, lockable**

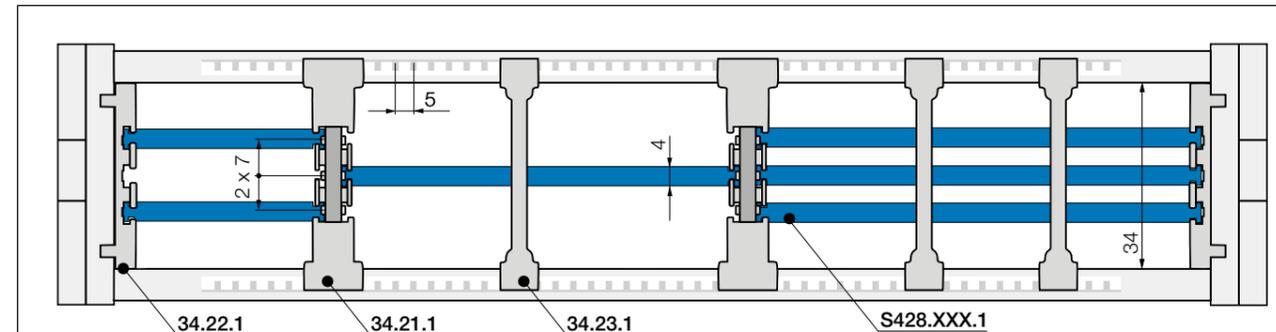
unassembled	3200.X
assembled	3210.X

**Horizontal separation**  
Full-width shelf locks securely into separators at both ends, giving a fixed width. Can be used as full-width or partial shelf.

**Shelves**  
Width = X [mm]



X [mm]	unassembled	assembled	X [mm]	unassembled	assembled	X [mm]	unassembled	assembled
050	3200.050	3210.050	125	3200.125	3210.125	225	3200.225	3210.225
075	3200.075	3210.075	150	3200.150	3210.150	250	3200.250	3210.250
100	3200.100	3210.100	175	3200.175	3210.175			
115	3200.115	3210.115	200	3200.200	3210.200			



No lateral gap to side links necessary.  
As standard separators are fitted every 2<sup>nd</sup> e-chain® link!

**Universal middle plate**

unassembled	34.21
assembled	34.21.1

**Universal middle plates**  
The shelves can be inserted from both sides. The shelves are locked in place by means of the integrated slider and additionally when the crossbar is fitted. For unlocking, the crossbar must be removed - on the inner or outer radius.

**Universal side plate**

unassembled	34.22
assembled	34.22.1

**Universal side plates**  
Allow modular shelving right up to the side links. Shelves can be inserted from both sides.

**Separator**

unassembled	34.23
assembled	34.23.1

**Separators for universal interior separation**  
For additional vertical partitioning of the shelf system. When using the separator, the shelves can only be removed in one direction.

**Shelf**

unassembled	S428.XXX
assembled	S428.XXX.1

**Shelves for universal interior separation**  
Shelves of various widths can be arranged in steps of 7mm.

**Shelves**  
Width = XXX [mm]



XXX [mm]	unassembled	assembled	XXX [mm]	unassembled	assembled	XXX [mm]	unassembled	assembled
018*	S428.018	S428.018.1	050 <sup>1)</sup>	S428.050	S428.050.1	108*	S428.108	S428.108.1
023*	S428.023	S428.023.1	054*	S428.054	S428.054.1	125*	S428.125	S428.125.1
025*	S428.025	S428.025.1	062 <sup>1)</sup>	S428.062	S428.062.1	150*	S428.150	S428.150.1
028*	S428.028	S428.028.1	075 <sup>1)</sup>	S428.075	S428.075.1	175*	S428.175	S428.175.1
033*	S428.033	S428.033.1	087*	S428.087	S428.087.1	200*	S428.200	S428.200.1
043*	S428.043	S428.043.1	100 <sup>1)</sup>	S428.100	S428.100.1	208*	S428.208	S428.208.1

\*Width available upon request. Please consult igus® for delivery time. 1) Width available from spring 2021.



Series E4Q.44 | Crossbars every link (crossbars removable along the inner and outer radius)  
 Series H4Q.44 | Crossbars every 2<sup>nd</sup> link (crossbars removable along the inner and outer radius)

Part No. e-chains®	Bi [mm]	Ba [mm]	E4Q.44 [kg/m]	H4Q.44 [kg/m]	Part No. e-chains®	Bi [mm]	Ba [mm]	E4Q.44 [kg/m]	H4Q.44 [kg/m]
E4Q.44. <sup>1)</sup> H4Q.44. <sup>1)</sup> 075.R.0	75	101	≈ 1.61	1.43	E4Q.44.* H4Q.44.* 237.R.0	237	264	≈ 2.28	≈ 1.76
E4Q.44. <sup>1)</sup> H4Q.44. <sup>1)</sup> 087.R.0	87	114	≈ 1.65	≈ 1.45	E4Q.44. <sup>1)</sup> H4Q.44. <sup>1)</sup> 250.R.0	250	276	≈ 2.32	≈ 1.78
E4Q.44. <sup>1)</sup> H4Q.44. <sup>1)</sup> 100.R.0	100	126	≈ 1.70	≈ 1.47	E4Q.44.* H4Q.44.* 262.R.0	262	289	≈ 2.36	≈ 1.81
E4Q.44. <sup>1)</sup> H4Q.44. <sup>1)</sup> 108.R.0	108	134	≈ 1.73	≈ 1.49	E4Q.44.* H4Q.44.* 275.R.0	275	301	≈ 2.41	≈ 1.83
E4Q.44.* H4Q.44.* 112.R.0	112	139	≈ 1.74	≈ 1.49	E4Q.44.* H4Q.44.* 287.R.0	287	314	≈ 2.46	≈ 1.85
E4Q.44. <sup>1)</sup> H4Q.44. <sup>1)</sup> 125.R.0	125	151	≈ 1.79	≈ 1.52	E4Q.44.* H4Q.44.* 300.R.0	300	326	≈ 2.51	≈ 1.88
E4Q.44.* H4Q.44.* 137.R.0	137	164	≈ 1.83	≈ 1.54	E4Q.44.* H4Q.44.* 312.R.0	312	339	≈ 2.55	≈ 1.90
E4Q.44. <sup>1)</sup> H4Q.44. <sup>1)</sup> 150.R.0	150	176	≈ 1.96	≈ 1.60	E4Q.44.* H4Q.44.* 325.R.0	325	351	≈ 2.60	≈ 1.92
E4Q.44.* H4Q.44.* 162.R.0	162	189	≈ 2.00	≈ 1.63	E4Q.44.* H4Q.44.* 337.R.0	337	364	≈ 2.64	≈ 1.94
E4Q.44. <sup>1)</sup> H4Q.44. <sup>1)</sup> 168.R.0	168	194	≈ 2.03	≈ 1.64	E4Q.44.* H4Q.44.* 350.R.0	350	376	≈ 2.69	≈ 1.97
E4Q.44. <sup>1)</sup> H4Q.44. <sup>1)</sup> 175.R.0	175	201	≈ 2.06	≈ 1.65	E4Q.44.* H4Q.44.* 362.R.0	362	389	≈ 2.73	≈ 1.99
E4Q.44.* H4Q.44.* 187.R.0	187	214	≈ 2.10	≈ 1.67	E4Q.44.* H4Q.44.* 375.R.0	375	401	≈ 2.78	≈ 2.01
E4Q.44. <sup>1)</sup> H4Q.44. <sup>1)</sup> 200.R.0	200	226	≈ 2.15	≈ 1.70	E4Q.44.* H4Q.44.* 387.R.0	387	414	≈ 2.82	≈ 2.03
E4Q.44.* H4Q.44.* 212.R.0	212	239	≈ 2.19	≈ 1.72	E4Q.44.* H4Q.44.* 400.R.0	400	426	≈ 2.90	≈ 2.08
E4Q.44.* H4Q.44.* 225.R.0	225	251	≈ 2.24	≈ 1.74					

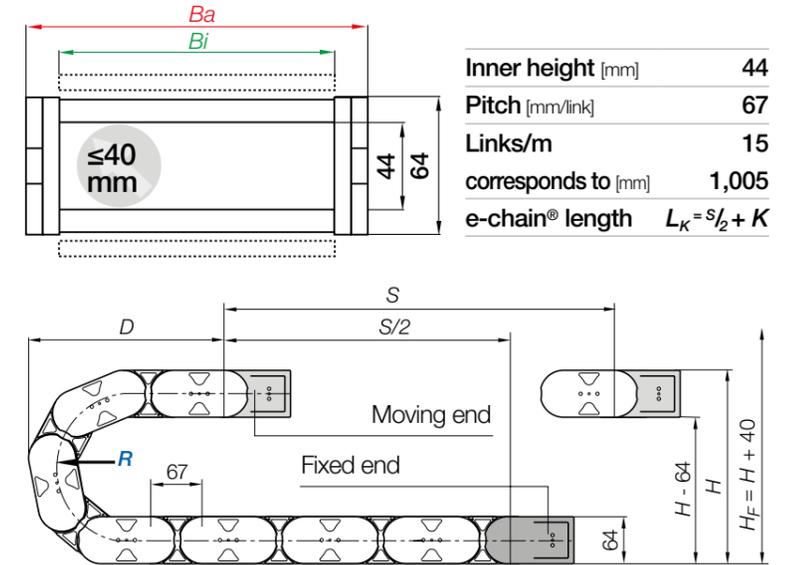
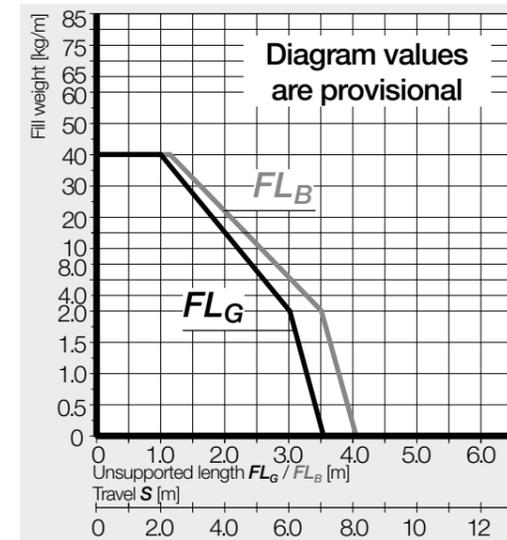
\*Width available upon request. Available upon request. 1) Width available from spring 2021. 2) Radius available from spring 2021.

Available bend radii

R [mm] | 075<sup>2)</sup> | 100<sup>2)</sup> | 115<sup>2)</sup> | 125<sup>2)</sup> | 150<sup>2)</sup> | 160<sup>2)</sup> | 175<sup>2)</sup> | 200<sup>2)</sup> | 250<sup>2)</sup> | 300<sup>2)</sup> | 350<sup>2)</sup>

Complete Part No. with required radius (R). Example:

E4Q.44.150.150.0 = crossbars every link / E4Q.44.150.150.0 = crossbars every 2<sup>nd</sup> link

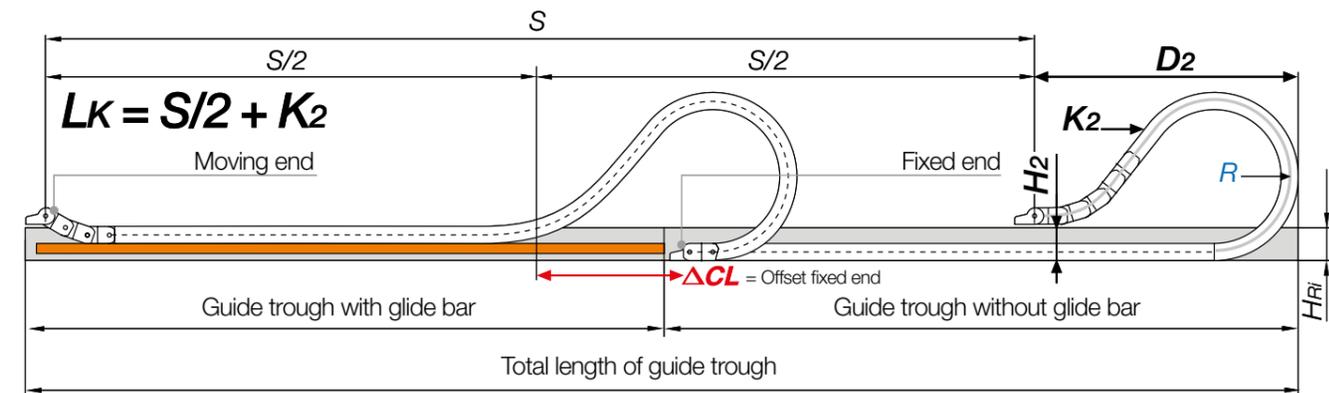


R	075 <sup>2)</sup>	100 <sup>2)</sup>	115 <sup>2)</sup>	125 <sup>2)</sup>	150 <sup>2)</sup>	160 <sup>2)</sup>	175 <sup>2)</sup>	200 <sup>2)</sup>	250 <sup>2)</sup>	300 <sup>2)</sup>	350 <sup>2)</sup>
H <sub>25</sub> <sup>0</sup>	214	264	294	314	364	384	414	464	564	664	764
D	208	233	248	258	283	293	308	333	383	433	483
K	370	450	500	530	610	640	685	765	920	1,080	1,235

The required clearance height:  $H_F = H + 40\text{mm}$  (with 3.0kg/m fill weight)

2) Radius available from spring 2021.

Gliding applications | For travel lengths from 12m to max. 300m

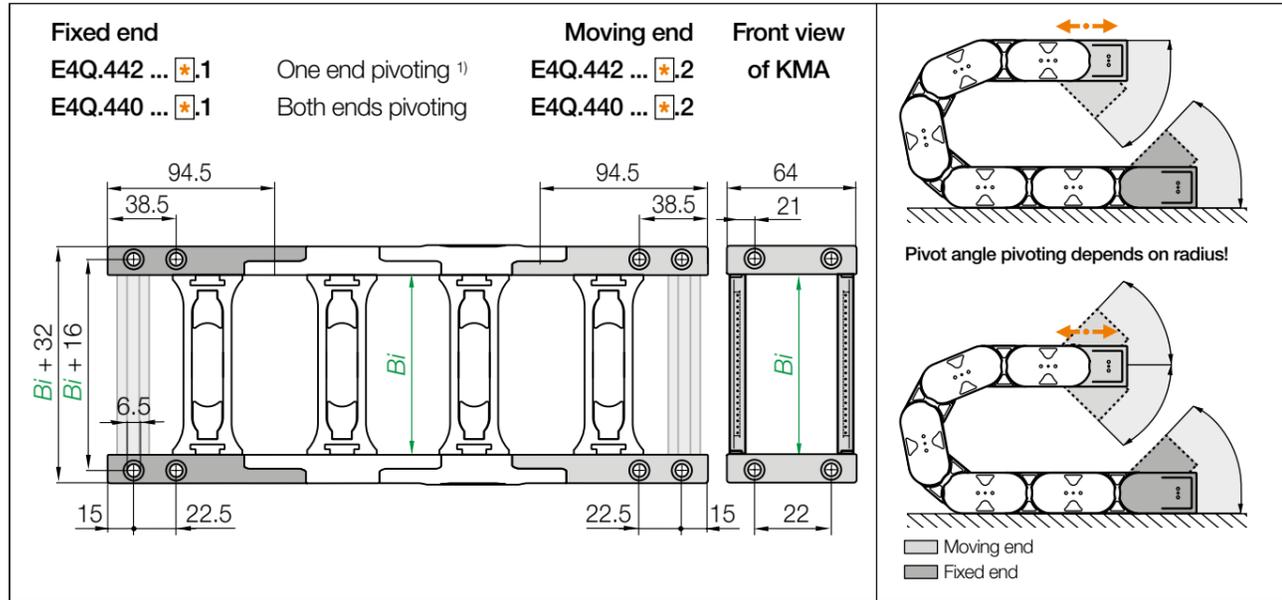


**Note:** We recommend the project planning of such a system to be carried out by igus®.

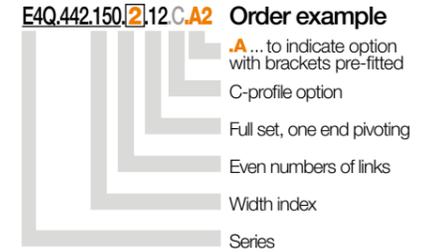
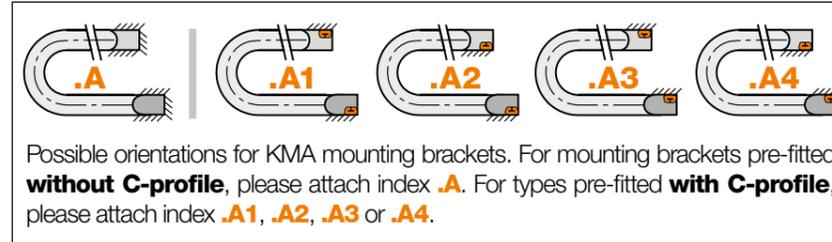
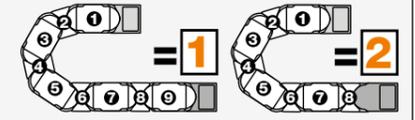
In case of travels between 8 and 12m we recommend an e-chain® with a longer unsupported length.

R	075 <sup>2)</sup>	100 <sup>2)</sup>	115 <sup>2)</sup>	125 <sup>2)</sup>	150 <sup>2)</sup>	160 <sup>2)</sup>	175 <sup>2)</sup>	200 <sup>2)</sup>	250 <sup>2)</sup>	300 <sup>2)</sup>	350 <sup>2)</sup>
H <sub>2</sub>	150	186	186	186	186	186	186	186	186	186	186
D <sub>25</sub> <sup>+</sup>	174	390	435	475	570	620	675	780	1,030	1,150	1,500
K <sub>2</sub>	370	603	737	804	938	1,072	1,139	1,340	1,675	1,943	2,412
ΔCL	-	170	200	230	300	340	380	460	660	730	1,030

2) Radius available from spring 2021.



**Note:** \*The e-chains® may end with either an inner or an outer side link. An outer side link should always be the first e-chain® link at the moving end. Please specify the index **1** (for odd) or **2** (for even) depending on an even or odd number of links required.



**Strain relief** e.g. clamps, tie-wrap plates, nuggets and clips are available from stock. The complete chainfix range with ordering options ► From page 1392

**One end pivoting <sup>1)</sup>** | Recommended for unsupported, vertical hanging, standing applications  
**Both ends pivoting** | Recommended for gliding applications

Width index	Part No. KMA full set			Width index	Part No. KMA full set		
	One end pivoting <sup>1)</sup>	Both ends pivoting	$Bi$ [mm]		One end pivoting <sup>1)</sup>	Both ends pivoting	$Bi$ [mm]
075	E4Q.442.075 <b>.1</b> .12.C <sup>2)</sup>	E4Q.440.075 <b>.1</b> .12.C <sup>2)</sup>	75	237	E4Q.442.237 <b>.1</b> .12.C <sup>**</sup>	E4Q.440.237 <b>.1</b> .12.C <sup>**</sup>	237
087	E4Q.442.087 <b>.1</b> .12.C <sup>2)</sup>	E4Q.440.087 <b>.1</b> .12.C <sup>2)</sup>	87	250	E4Q.442.250 <b>.1</b> .12.C <sup>2)</sup>	E4Q.440.250 <b>.1</b> .12.C <sup>2)</sup>	250
100	E4Q.442.100 <b>.1</b> .12.C <sup>2)</sup>	E4Q.440.100 <b>.1</b> .12.C <sup>2)</sup>	100	262	E4Q.442.262 <b>.1</b> .12.C <sup>**</sup>	E4Q.440.262 <b>.1</b> .12.C <sup>**</sup>	262
108	E4Q.442.108 <b>.1</b> .12.C <sup>2)</sup>	E4Q.440.108 <b>.1</b> .12.C <sup>2)</sup>	108	275	E4Q.442.275 <b>.1</b> .12.C <sup>**</sup>	E4Q.440.275 <b>.1</b> .12.C <sup>**</sup>	275
112	E4Q.442.112 <b>.1</b> .12.C <sup>**</sup>	E4Q.440.112 <b>.1</b> .12.C <sup>**</sup>	112	287	E4Q.442.287 <b>.1</b> .12.C <sup>**</sup>	E4Q.440.287 <b>.1</b> .12.C <sup>**</sup>	287
125	E4Q.442.125 <b>.1</b> .12.C <sup>2)</sup>	E4Q.440.125 <b>.1</b> .12.C <sup>2)</sup>	125	300	E4Q.442.300 <b>.1</b> .12.C <sup>**</sup>	E4Q.440.300 <b>.1</b> .12.C <sup>**</sup>	300
137	E4Q.442.137 <b>.1</b> .12.C <sup>**</sup>	E4Q.440.137 <b>.1</b> .12.C <sup>**</sup>	137	312	E4Q.442.312 <b>.1</b> .12.C <sup>**</sup>	E4Q.440.312 <b>.1</b> .12.C <sup>**</sup>	312
150	E4Q.442.150 <b>.1</b> .12.C <sup>2)</sup>	E4Q.440.150 <b>.1</b> .12.C <sup>2)</sup>	150	325	E4Q.442.325 <b>.1</b> .12.C <sup>**</sup>	E4Q.440.325 <b>.1</b> .12.C <sup>**</sup>	325
162	E4Q.442.162 <b>.1</b> .12.C <sup>**</sup>	E4Q.440.162 <b>.1</b> .12.C <sup>**</sup>	162	337	E4Q.442.337 <b>.1</b> .12.C <sup>**</sup>	E4Q.440.337 <b>.1</b> .12.C <sup>**</sup>	337
168	E4Q.442.168 <b>.1</b> .12.C <sup>2)</sup>	E4Q.440.168 <b>.1</b> .12.C <sup>2)</sup>	168	350	E4Q.442.350 <b>.1</b> .12.C <sup>**</sup>	E4Q.440.350 <b>.1</b> .12.C <sup>**</sup>	350
175	E4Q.442.175 <b>.1</b> .12.C <sup>2)</sup>	E4Q.440.175 <b>.1</b> .12.C <sup>2)</sup>	175	362	E4Q.442.362 <b>.1</b> .12.C <sup>**</sup>	E4Q.440.362 <b>.1</b> .12.C <sup>**</sup>	362
187	E4Q.442.187 <b>.1</b> .12.C <sup>**</sup>	E4Q.440.187 <b>.1</b> .12.C <sup>**</sup>	187	375	E4Q.442.375 <b>.1</b> .12.C <sup>**</sup>	E4Q.440.375 <b>.1</b> .12.C <sup>**</sup>	375
200	E4Q.442.200 <b>.1</b> .12.C <sup>2)</sup>	E4Q.440.200 <b>.1</b> .12.C <sup>2)</sup>	200	387	E4Q.442.387 <b>.1</b> .12.C <sup>**</sup>	E4Q.440.387 <b>.1</b> .12.C <sup>**</sup>	387
212	E4Q.442.212 <b>.1</b> .12.C <sup>**</sup>	E4Q.440.212 <b>.1</b> .12.C <sup>**</sup>	212	400	E4Q.442.400 <b>.1</b> .12.C <sup>**</sup>	E4Q.440.400 <b>.1</b> .12.C <sup>**</sup>	400
225	E4Q.442.225 <b>.1</b> .12.C <sup>**</sup>	E4Q.440.225 <b>.1</b> .12.C <sup>**</sup>	225				

1) One end pivoting - standard for E4Q mounting brackets. For the C-profile option please add index **.C**.  
2) Width available from spring 2021. \*\*Width available upon request. Please consult igus® for delivery time. (KMA = polymer metal mounting bracket)

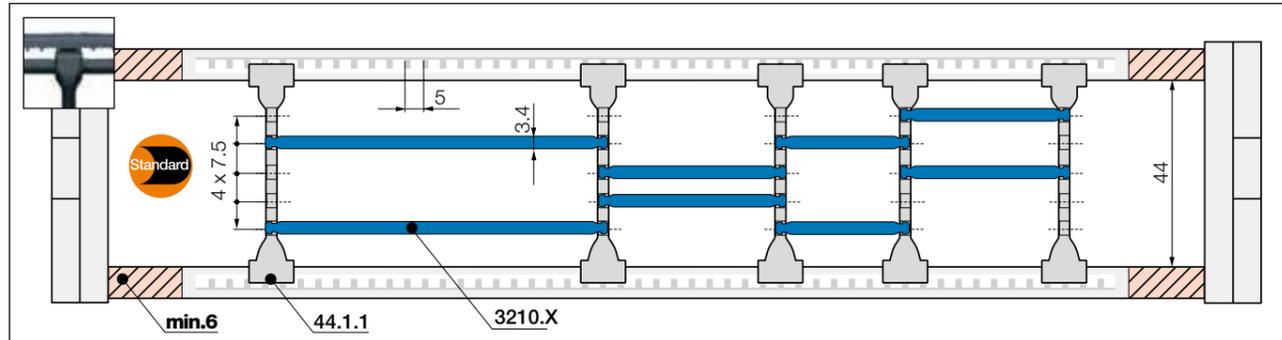
**Steel support tray for support of the lower run**

- Simple one-piece support trays for the lower run
  - To your requirements and specification
  - 4 options available
- More information ► From page 1356



The new E4Q combines ease of installation with a new level of strength and stability





**Note:** Please be aware of the minimum lateral gap to the side links! **e-chain®: 6mm**  
As standard separators are fitted every 2<sup>nd</sup> e-chain® link!



**Standard separator, wide base**

unassembled	44.1
assembled	44.1.1

**Standard - for any application**  
Separator with a wide base for maximum holding force.



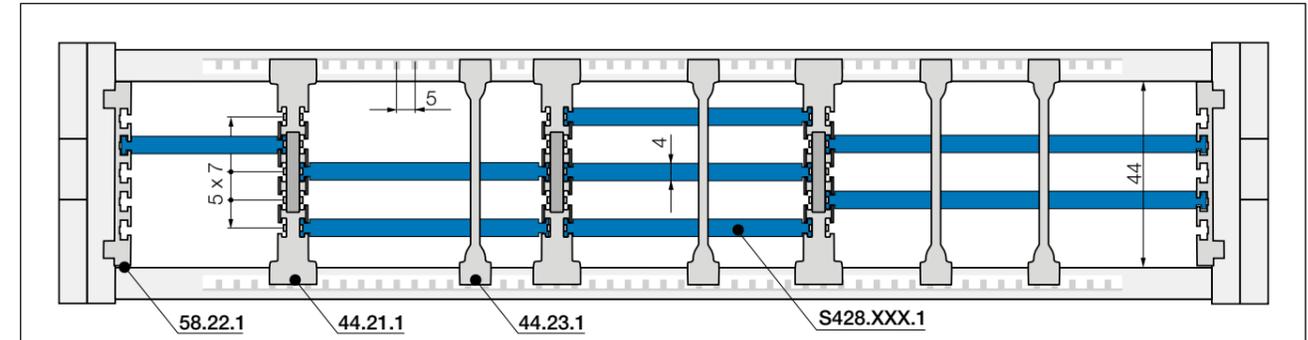
**Shelf, lockable**

unassembled	3200.X
assembled	3210.X

**Horizontal separation**  
Full-width shelf locks securely into separators at both ends, giving a fixed width. Can be used as full-width or partial shelf.

**Shelves**  
Width = X [mm]

X [mm]	unassembled	assembled	X [mm]	unassembled	assembled	X [mm]	unassembled	assembled
050	3200.050	3210.050	125	3200.125	3210.125	225	3200.225	3210.225
075	3200.075	3210.075	150	3200.150	3210.150	250	3200.250	3210.250
100	3200.100	3210.100	175	3200.175	3210.175			
115	3200.115	3210.115	200	3200.200	3210.200			



No lateral gap to side links necessary.  
As standard separators are fitted every 2<sup>nd</sup> e-chain® link!



**Universal middle plate**

unassembled	44.21
assembled	44.21.1

**Universal middle plates**  
The shelves can be inserted from both sides. The shelves are locked in place by means of the integrated slider and additionally when the crossbar is fitted. For unlocking, the crossbar must be removed - on the inner or outer radius.



**Universal side plate**

unassembled	44.22
assembled	44.22.1

**Universal side plates**  
Allow modular shelving right up to the side links. Shelves can be inserted from both sides.



**Separator**

unassembled	44.23
assembled	44.23.1

**Separators for universal interior separation**  
For additional vertical partitioning of the shelf system. When using the separator, the shelves can only be removed in one direction.



**Shelf**

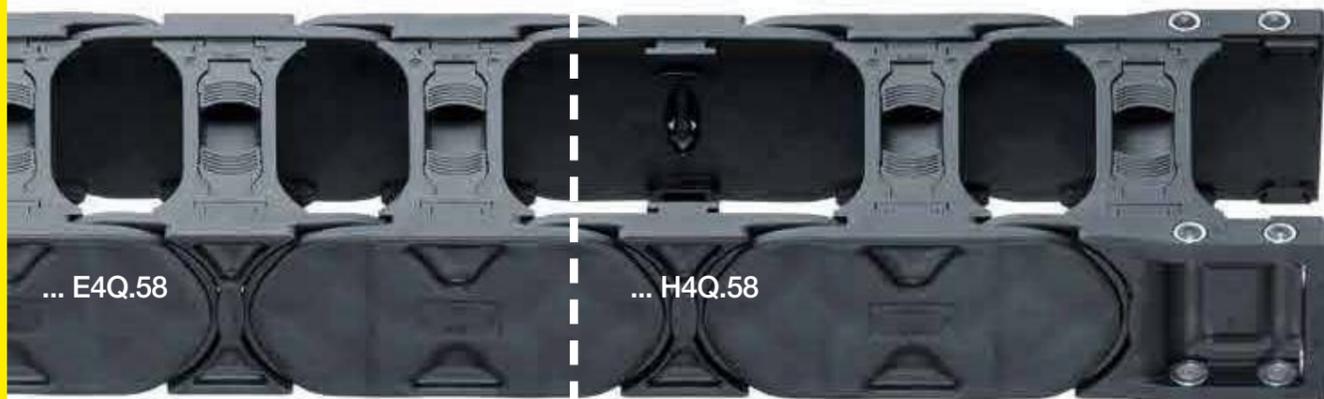
unassembled	S428.XXX
assembled	S428.XXX.1

**Shelves for universal interior separation**  
Shelves of various widths can be arranged in steps of 7mm.

**Shelves**  
Width = XXX [mm]

XXX [mm]	unassembled	assembled	XXX [mm]	unassembled	assembled	XXX [mm]	unassembled	assembled
018*	S428.018	S428.018.1	050 <sup>1)</sup>	S428.050	S428.050.1	108*	S428.108	S428.108.1
023*	S428.023	S428.023.1	054*	S428.054	S428.054.1	125*	S428.125	S428.125.1
025*	S428.025	S428.025.1	062 <sup>1)</sup>	S428.062	S428.062.1	150*	S428.150	S428.150.1
028*	S428.028	S428.028.1	075 <sup>1)</sup>	S428.075	S428.075.1	175*	S428.175	S428.175.1
033*	S428.033	S428.033.1	087*	S428.087	S428.087.1	200*	S428.200	S428.200.1
043*	S428.043	S428.043.1	100 <sup>1)</sup>	S428.100	S428.100.1	208*	S428.208	S428.208.1

\*Width available upon request. Please consult igus® for delivery time. 1) Width available from spring 2021.



Series E4Q.58 | Crossbars every link (crossbars removable along the inner and outer radius)  
 Series H4Q.58 | Crossbars every 2<sup>nd</sup> link (crossbars removable along the inner and outer radius)

Part No. e-chains®	Bi [mm]	Ba [mm]	E4Q.58 [kg/m]	H4Q.58 [kg/m]	Part No. e-chains®	Bi [mm]	Ba [mm]	E4Q.58 [kg/m]	H4Q.58 [kg/m]
E4Q.58. H4Q.58. 100.R.0	100	134	≈ 3.66	≈ 3.31	E4Q.58. H4Q.58. 362.R.0	362	397	≈ 4.79	≈ 3.88
E4Q.58. H4Q.58. 112.R.0	112	147	≈ 3.72	≈ 3.34	E4Q.58.* H4Q.58.* 375.R.0	375	409	≈ 4.84	≈ 3.90
E4Q.58. H4Q.58. 125.R.0	125	159	≈ 3.75	≈ 3.36	E4Q.58.* H4Q.58.* 387.R.0	387	422	≈ 4.90	≈ 3.93
E4Q.58.* H4Q.58.* 137.R.0	137	172	≈ 3.80	≈ 3.39	E4Q.58.* H4Q.58.* 400.R.0	400	434	≈ 4.95	≈ 3.96
E4Q.58. H4Q.58. 150.R.0	150	184	≈ 3.89	≈ 3.43	E4Q.58.* H4Q.58.* 412.R.0	412	447	≈ 5.01	≈ 3.99
E4Q.58. H4Q.58. 162.R.0	162	197	≈ 3.95	≈ 3.46	E4Q.58.* H4Q.58.* 425.R.0	425	459	≈ 5.07	≈ 4.02
E4Q.58. H4Q.58. 175.R.0	175	209	≈ 3.98	≈ 3.48	E4Q.58.* H4Q.58.* 437.R.0	437	472	≈ 5.12	≈ 4.04
E4Q.58.* H4Q.58.* 187.R.0	187	222	≈ 4.02	≈ 3.50	E4Q.58.* H4Q.58.* 450.R.0	450	484	≈ 5.17	≈ 4.07
E4Q.58. H4Q.58. 200.R.0	200	234	≈ 4.14	≈ 3.55	E4Q.58.* H4Q.58.* 462.R.0	462	497	≈ 5.22	≈ 4.10
E4Q.58. H4Q.58. 212.R.0	212	247	≈ 4.19	≈ 3.58	E4Q.58.* H4Q.58.* 475.R.0	475	509	≈ 5.28	≈ 4.12
E4Q.58.* H4Q.58.* 225.R.0	225	259	≈ 4.21	≈ 3.59	E4Q.58.* H4Q.58.* 487.R.0	487	522	≈ 5.34	≈ 4.15
E4Q.58. H4Q.58. 237.R.0	237	272	≈ 4.24	≈ 3.61	E4Q.58.* H4Q.58.* 500.R.0	500	534	≈ 5.39	≈ 4.18
E4Q.58. H4Q.58. 250.R.0	250	284	≈ 4.30	≈ 3.63	E4Q.58.* H4Q.58.* 512.R.0	512	547	≈ 5.44	≈ 4.21
E4Q.58. H4Q.58. 262.R.0	262	297	≈ 4.33	≈ 3.65	E4Q.58.* H4Q.58.* 525.R.0	525	559	≈ 5.50	≈ 4.23
E4Q.58. H4Q.58. 275.R.0	275	309	≈ 4.41	≈ 3.69	E4Q.58.* H4Q.58.* 537.R.0	537	572	≈ 5.55	≈ 4.26
E4Q.58.* H4Q.58.* 287.R.0	287	322	≈ 4.44	≈ 3.71	E4Q.58.* H4Q.58.* 550.R.0	550	584	≈ 5.61	≈ 4.29
E4Q.58. H4Q.58. 300.R.0	300	334	≈ 4.52	≈ 3.74	E4Q.58.* H4Q.58.* 562.R.0	562	597	≈ 5.65	≈ 4.31
E4Q.58.* H4Q.58.* 312.R.0	312	347	≈ 4.57	≈ 3.77	E4Q.58.* H4Q.58.* 575.R.0	575	609	≈ 5.70	≈ 4.33
E4Q.58.* H4Q.58.* 325.R.0	325	359	≈ 4.63	≈ 3.80	E4Q.58.* H4Q.58.* 587.R.0	587	622	≈ 5.74	≈ 4.35
E4Q.58. H4Q.58. 337.R.0	337	372	≈ 4.68	≈ 3.82	E4Q.58.* H4Q.58.* 600.R.0	600	634	≈ 5.81	≈ 4.39
E4Q.58.* H4Q.58.* 350.R.0	350	384	≈ 4.73	≈ 3.85					

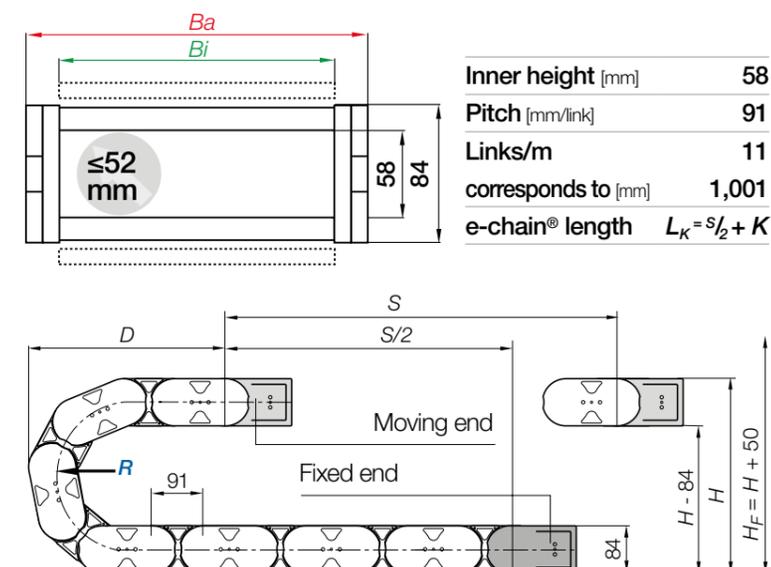
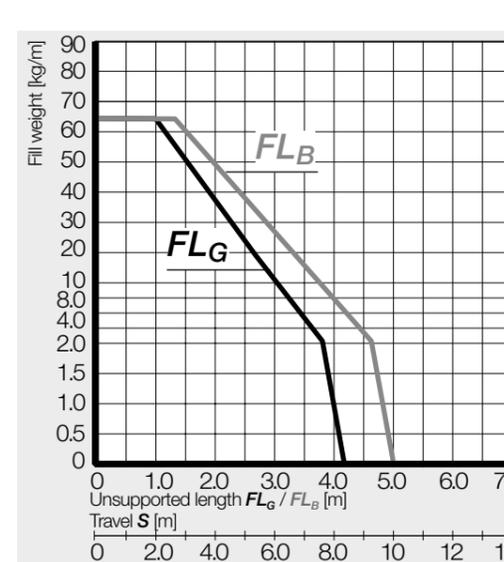
\*Width available upon request. Please consult igus® for delivery time.

Available bend radii

R [mm] | 135 | 150 | 175 | 200 | 240 | 250 | 300 | 350 | 400 | 450 | 500

Complete Part No. with required radius (R). Example:

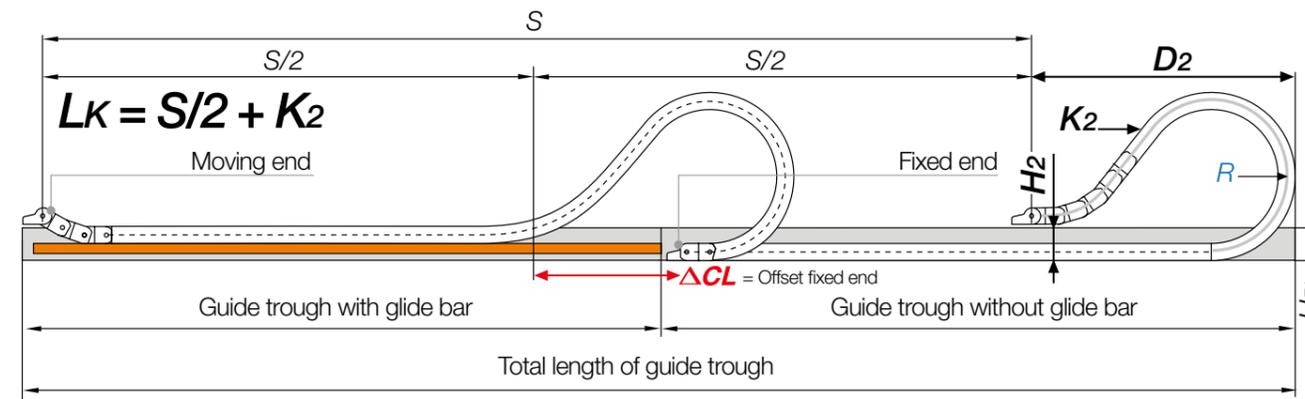
E4Q.58.100.135.0 = crossbars every link / E4Q.58.100.135.0 = crossbars every 2<sup>nd</sup> link



R	135	150	175	200	240	250	300	350	400	450	500
H <sub>25</sub> <sup>-0</sup>	354	384	434	484	564	584	684	784	884	984	1084
D	314	329	354	379	419	429	479	529	579	629	679
K	610	655	735	815	940	970	1,125	1,285	1,440	1,600	1,755

The required clearance height:  $H_F = H + 50\text{mm}$  (with 3.0kg/m fill weight)

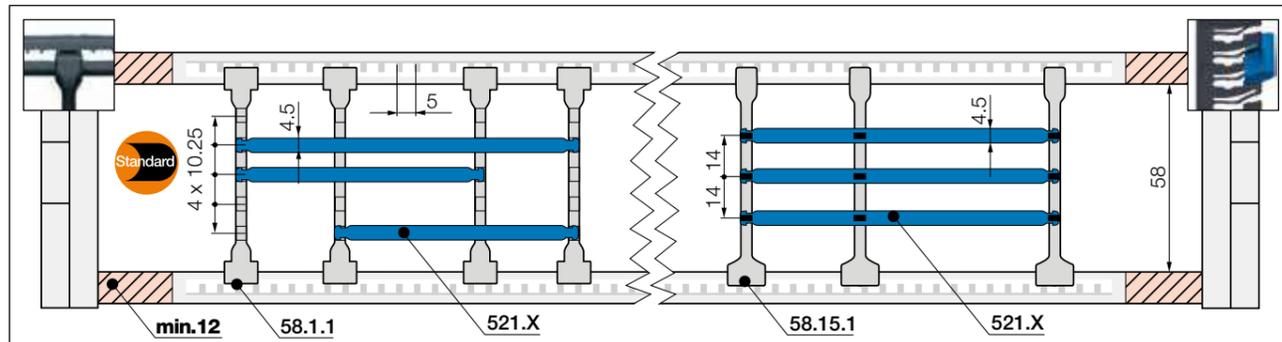
Gliding applications | For travel lengths from 12m to max. 400m



**Note:** We recommend the project planning of such a system to be carried out by igus®. In case of travels between 10 and 12m we recommend an e-chain® with a longer unsupported length.

R	135	150	175	200	240	250	300	350	400	450	500
H <sub>2</sub>	270	266	266	266	266	266	266	266	266	266	266
D <sub>25</sub> <sup>+25</sup>	268	450	580	710	900	980	1,180	1,440	1,530	1,700	1,850
K <sub>2</sub>	610	819	1,092	1,274	1,547	1,638	2,002	2,275	2,548	2,912	3,276
ΔCL	-	159	259	359	509	559	709	909	959	1,059	1,159





**Note:** Please be aware of the minimum lateral gap to the side links! **e-chain®: 12mm**  
As standard separators are fitted every 2<sup>nd</sup> e-chain® link!

**Standard separator, wide base**

unassembled **58.1**  
assembled **58.1.1**

**Standard - for any application**  
Separator with a wide base for maximum holding force.

**Lean notch separator<sup>1)</sup>**

unassembled **58.15**  
assembled **58.15.1**

**Lean notch separators<sup>1)</sup>**  
For quick fitting of shelves in several layers. Snaps securely into the crossbar in 5mm steps to be positioned securely.  
**1) Note: Please combine maximum 4 lean separators with one shelf.**  
**Not suitable for side-mounted e-chains®!**

**Shelf, lockable**

unassembled **520.X**  
assembled **521.X**

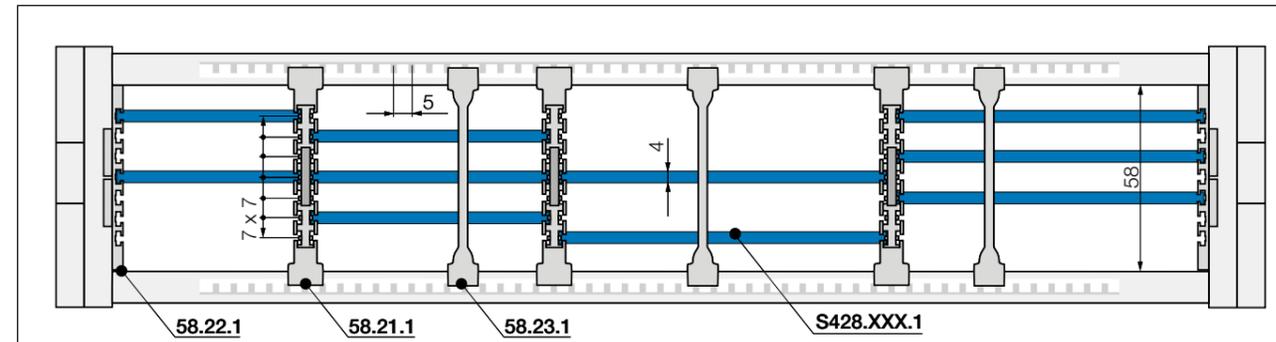
**Horizontal separation**  
Full-width shelf locks securely into separators at both ends, giving a fixed width. Can be used as full-width or partial shelf.

Shelves Width = X [mm]	X [mm]		X [mm]		X [mm]		X [mm]		
	unassembled	assembled	unassembled	assembled	unassembled	assembled	unassembled	assembled	
	050	520.050	521.050	150	520.150	521.150	300	520.300	521.300
	065	520.065	521.065	175	520.175	521.175	350	520.350	521.350
	075	520.075	521.075	200	520.200	521.200	375	520.375	521.375
	100	520.100	521.100	225	520.225	521.225	387	520.387	521.387
	125	520.125	521.125	250	520.250	521.250	450	520.450	521.450

**Lean notch separator design principle | For even faster filling**

With the lean notch separator you can quickly insert several layers of cables into the e-chain® and reduce the installation time by up to 50%<sup>2)</sup>.

<sup>2)</sup> Lean interior separation vs. Standard separator - measured on a 4m long e-chain® fitted with 12 cables in the igus® readychain® factory



No lateral gap to side links necessary.  
As standard separators are fitted every 2<sup>nd</sup> e-chain® link!

**Universal middle plate**

unassembled **58.21**  
assembled **58.21.1**

**Universal middle plates**  
The shelves can be inserted from both sides. The shelves are locked in place by means of the integrated slider and additionally when the crossbar is fitted. For unlocking, the crossbar must be removed - on the inner or outer radius.

**Universal side plate**

unassembled **58.22**  
assembled **58.22.1**

**Universal side plates**  
Allow modular shelving right up to the side links. Shelves can be inserted from both sides.

**Separator**

unassembled **58.23**  
assembled **58.23.1**

**Separators for universal interior separation**  
For additional vertical partitioning of the shelf system. When using the separator, the shelves can only be removed in one direction.

**Shelf**

unassembled **S428.XXX**  
assembled **S428.XXX.1**

**Shelves for universal interior separation**  
Shelves of various widths can be arranged in steps of 7mm.

Shelves Width = XXX [mm]	XXX [mm]		XXX [mm]		XXX [mm]		XXX [mm]		
	unassembled	assembled	unassembled	assembled	unassembled	assembled	unassembled	assembled	
	018*	S428.018	S428.018.1	050 <sup>1)</sup>	S428.050	S428.050.1	108*	S428.108	S428.108.1
	023*	S428.023	S428.023.1	054*	S428.054	S428.054.1	125*	S428.125	S428.125.1
	025*	S428.025	S428.025.1	062 <sup>1)</sup>	S428.062	S428.062.1	150*	S428.150	S428.150.1
	028*	S428.028	S428.028.1	075 <sup>1)</sup>	S428.075	S428.075.1	175*	S428.175	S428.175.1
	033*	S428.033	S428.033.1	087*	S428.087	S428.087.1	200*	S428.200	S428.200.1
	043*	S428.043	S428.043.1	100 <sup>1)</sup>	S428.100	S428.100.1	208*	S428.208	S428.208.1

\*Width available upon request. Please consult igus® for delivery time. 1) Width available from spring 2021.



Series E4Q.82 | Crossbars every link (crossbars removable along the inner and outer radius)  
 Series H4Q.82 | Crossbars every 2<sup>nd</sup> link (crossbars removable along the inner and outer radius)

Part No. e-chains®	Bi [mm]	Ba [mm]	E4Q.82 [kg/m]	H4Q.82 [kg/m]	Part No. e-chains®	Bi [mm]	Ba [mm]	E4Q.82 [kg/m]	H4Q.82 [kg/m]
E4Q.82. H4Q.82. 100.R.0	100	150	≈ 6.05	≈ 5.77	E4Q.82. H4Q.82. 362.R.0	362	413	≈ 6.97	≈ 6.23
E4Q.82. H4Q.82. 112.R.0	112	163	≈ 6.10	≈ 5.79	E4Q.82.* H4Q.82.* 375.R.0	375	425	≈ 7.02	≈ 6.25
E4Q.82. H4Q.82. 125.R.0	125	175	≈ 6.12	≈ 5.81	E4Q.82.* H4Q.82.* 387.R.0	387	438	≈ 7.07	≈ 6.28
E4Q.82.* H4Q.82.* 137.R.0	137	188	≈ 6.17	≈ 5.83	E4Q.82.* H4Q.82.* 400.R.0	400	450	≈ 7.11	≈ 6.30
E4Q.82. H4Q.82. 150.R.0	150	200	≈ 6.24	≈ 5.87	E4Q.82.* H4Q.82.* 412.R.0	412	463	≈ 7.15	≈ 6.32
E4Q.82. H4Q.82. 162.R.0	162	213	≈ 6.29	≈ 5.89	E4Q.82.* H4Q.82.* 425.R.0	425	475	≈ 7.20	≈ 6.35
E4Q.82. H4Q.82. 175.R.0	175	225	≈ 6.32	≈ 5.90	E4Q.82.* H4Q.82.* 437.R.0	437	488	≈ 7.24	≈ 6.37
E4Q.82.* H4Q.82.* 187.R.0	187	238	≈ 6.35	≈ 5.92	E4Q.82.* H4Q.82.* 450.R.0	450	500	≈ 7.29	≈ 6.39
E4Q.82. H4Q.82. 200.R.0	200	250	≈ 6.44	≈ 5.97	E4Q.82.* H4Q.82.* 462.R.0	462	513	≈ 7.33	≈ 6.41
E4Q.82. H4Q.82. 212.R.0	212	263	≈ 6.49	≈ 5.99	E4Q.82.* H4Q.82.* 475.R.0	475	525	≈ 7.38	≈ 6.43
E4Q.82.* H4Q.82.* 225.R.0	225	275	≈ 6.50	≈ 6.00	E4Q.82.* H4Q.82.* 487.R.0	487	538	≈ 7.42	≈ 6.46
E4Q.82. H4Q.82. 237.R.0	237	288	≈ 6.53	≈ 6.01	E4Q.82.* H4Q.82.* 500.R.0	500	550	≈ 7.47	≈ 6.48
E4Q.82. H4Q.82. 250.R.0	250	300	≈ 6.57	≈ 6.03	E4Q.82.* H4Q.82.* 512.R.0	512	563	≈ 7.51	≈ 6.50
E4Q.82. H4Q.82. 262.R.0	262	313	≈ 6.62	≈ 6.05	E4Q.82.* H4Q.82.* 525.R.0	525	575	≈ 7.56	≈ 6.52
E4Q.82. H4Q.82. 275.R.0	275	325	≈ 6.66	≈ 6.08	E4Q.82.* H4Q.82.* 537.R.0	537	588	≈ 7.60	≈ 6.54
E4Q.82.* H4Q.82.* 287.R.0	287	338	≈ 6.71	≈ 6.10	E4Q.82.* H4Q.82.* 550.R.0	550	600	≈ 7.65	≈ 6.57
E4Q.82. H4Q.82. 300.R.0	300	350	≈ 6.75	≈ 6.12	E4Q.82.* H4Q.82.* 562.R.0	562	613	≈ 7.68	≈ 6.59
E4Q.82.* H4Q.82.* 312.R.0	312	363	≈ 6.80	≈ 6.14	E4Q.82.* H4Q.82.* 575.R.0	575	625	≈ 7.72	≈ 6.60
E4Q.82.* H4Q.82.* 325.R.0	325	375	≈ 6.84	≈ 6.17	E4Q.82.* H4Q.82.* 587.R.0	587	638	≈ 7.68	≈ 6.59
E4Q.82. H4Q.82. 337.R.0	337	388	≈ 6.89	≈ 6.19	E4Q.82.* H4Q.82.* 600.R.0	600	650	≈ 7.74	≈ 6.61
E4Q.82.* H4Q.82.* 350.R.0	350	400	≈ 6.93	≈ 6.21					

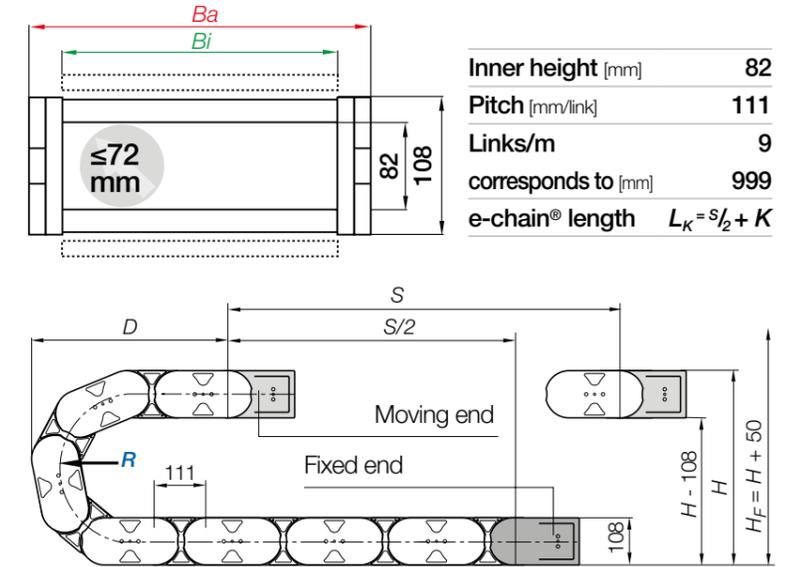
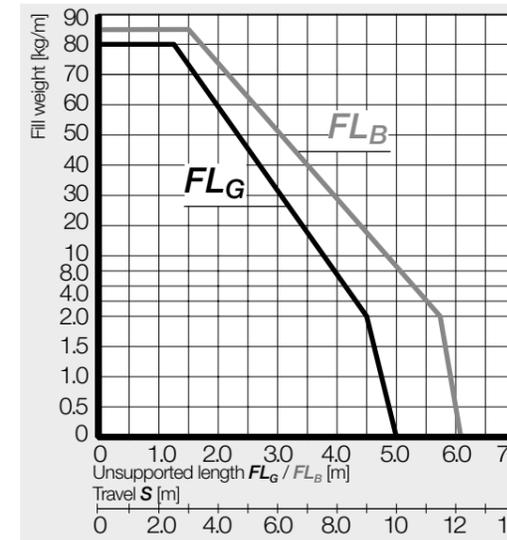
\*Width available upon request. Please consult igus® for delivery time.

Available bend radii

R [mm] | 150 | 175 | 200 | 250 | 300 | 350 | 400 | 450 | 500 | 600 | 1,000 |

Complete Part No. with required radius (R). Example:

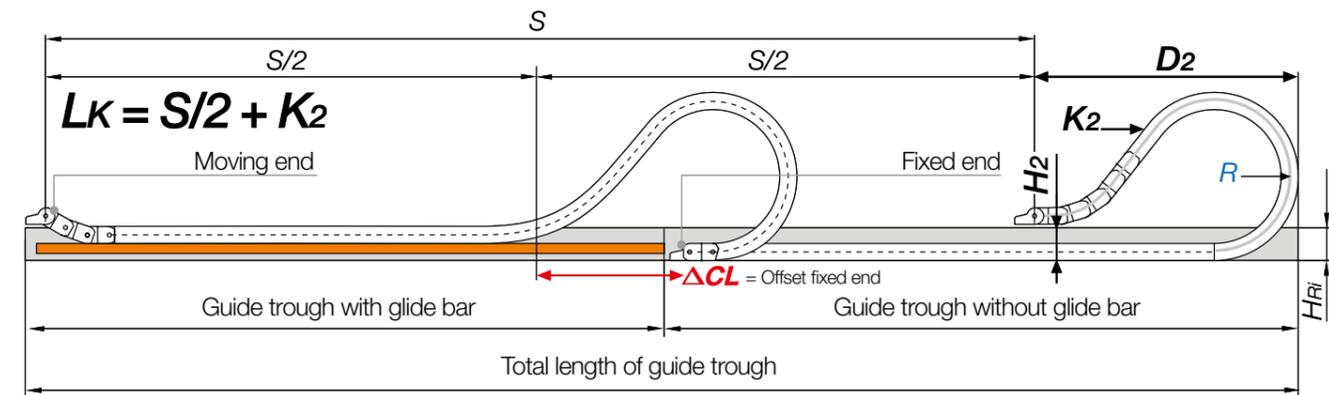
E4Q.82.125.150.0 = crossbars every link / E4Q.82.125.150.0 = crossbars every 2<sup>nd</sup> link



R	150	175	200	250	300	350	400	450	500	600	1,000
H	408	458	508	608	708	808	908	1,008	1108	1308	2,108
D	371	396	421	471	521	571	621	671	721	821	1,221
K	695	775	855	1,010	1,165	1,325	1,480	1,640	1,795	2,110	3,365

The required clearance height:  $H_f = H + 50\text{mm}$  (with 3.0kg/m fill weight)

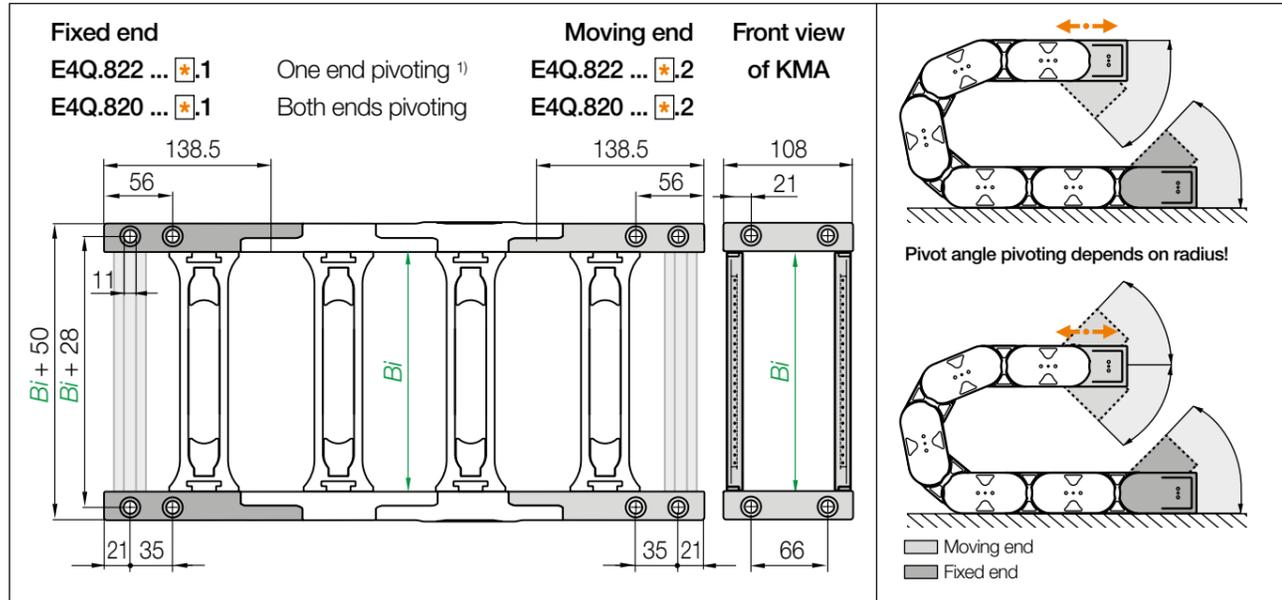
Gliding applications | For travel lengths from 12m to max. 400m



Note: We recommend the project planning of such a system to be carried out by igus®.

In case of travels between 10 and 12m we recommend an e-chain® with a longer unsupported length.

R	150	175	200	250	300	350	400	450	500	600	1,000
H <sub>2</sub>	242	242	242	242	242	242	242	242	242	242	-
D <sub>2</sub>	550	675	800	1,000	1,200	1,450	1,600	1,850	2,100	2,500	-
K <sub>2</sub>	890	1,000	1,330	1,665	2,000	2,330	2,660	3,000	3,440	4,100	-
ΔCL	189	289	389	539	689	889	989	1,189	1,389	1,689	-



One end pivoting <sup>1)</sup> | Recommended for unsupported, vertical hanging, standing applications  
Both ends pivoting | Recommended for gliding applications

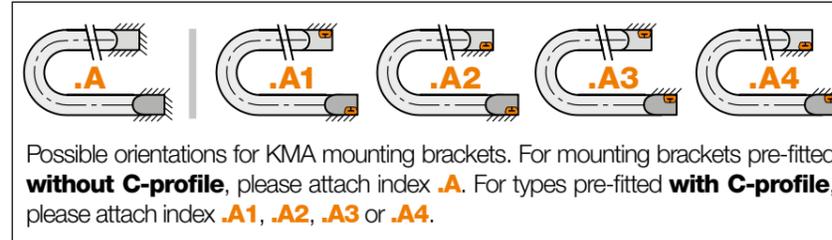
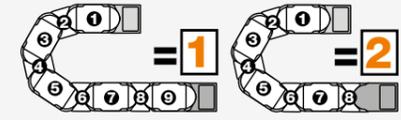
Part No. KMA full set			
Width index	One end pivoting <sup>1)</sup>	Both ends pivoting	Bi [mm]
100.	E4Q.822.100. <b>.12.C</b>	E4Q.820.100. <b>.12.C</b>	100
112.	E4Q.822.112. <b>.12.C</b>	E4Q.820.112. <b>.12.C</b>	112
125.	E4Q.822.125. <b>.12.C</b>	E4Q.820.125. <b>.12.C</b>	125
137.	E4Q.822.137. <b>.12.C**</b>	E4Q.820.137. <b>.12.C**</b>	137
150.	E4Q.822.150. <b>.12.C</b>	E4Q.820.150. <b>.12.C</b>	150
162.	E4Q.822.162. <b>.12.C</b>	E4Q.820.162. <b>.12.C</b>	162
175.	E4Q.822.175. <b>.12.C</b>	E4Q.820.175. <b>.12.C</b>	175
187.	E4Q.822.187. <b>.12.C**</b>	E4Q.820.187. <b>.12.C**</b>	187
200.	E4Q.822.200. <b>.12.C</b>	E4Q.820.200. <b>.12.C</b>	200
212.	E4Q.822.212. <b>.12.C</b>	E4Q.820.212. <b>.12.C</b>	212
225.	E4Q.822.225. <b>.12.C**</b>	E4Q.820.225. <b>.12.C**</b>	225
237.	E4Q.822.237. <b>.12.C</b>	E4Q.820.237. <b>.12.C</b>	237
250.	E4Q.822.250. <b>.12.C</b>	E4Q.820.250. <b>.12.C</b>	250
262.	E4Q.822.262. <b>.12.C</b>	E4Q.820.262. <b>.12.C</b>	262
275.	E4Q.822.275. <b>.12.C</b>	E4Q.820.275. <b>.12.C</b>	275
287.	E4Q.822.287. <b>.12.C**</b>	E4Q.820.287. <b>.12.C**</b>	287
300.	E4Q.822.300. <b>.12.C</b>	E4Q.820.300. <b>.12.C</b>	300
312.	E4Q.822.312. <b>.12.C**</b>	E4Q.820.312. <b>.12.C**</b>	312
325.	E4Q.822.325. <b>.12.C**</b>	E4Q.820.325. <b>.12.C**</b>	325
337.	E4Q.822.337. <b>.12.C</b>	E4Q.820.337. <b>.12.C</b>	337
350.	E4Q.822.350. <b>.12.C**</b>	E4Q.820.350. <b>.12.C**</b>	350

Part No. KMA full set			
Width index	One end pivoting <sup>1)</sup>	Both ends pivoting	Bi [mm]
362.	E4Q.822.362. <b>.12.C</b>	E4Q.820.362. <b>.12.C</b>	362
375.	E4Q.822.375. <b>.12.C**</b>	E4Q.820.375. <b>.12.C**</b>	375
387.	E4Q.822.387. <b>.12.C**</b>	E4Q.820.387. <b>.12.C**</b>	387
400.	E4Q.822.400. <b>.12.C**</b>	E4Q.820.400. <b>.12.C**</b>	400
412.	E4Q.822.412. <b>.12.C**</b>	E4Q.820.412. <b>.12.C**</b>	412
425.	E4Q.822.425. <b>.12.C**</b>	E4Q.820.425. <b>.12.C**</b>	425
437.	E4Q.822.437. <b>.12.C**</b>	E4Q.820.437. <b>.12.C**</b>	437
450.	E4Q.822.450. <b>.12.C**</b>	E4Q.820.450. <b>.12.C**</b>	450
462.	E4Q.822.462. <b>.12.C**</b>	E4Q.820.462. <b>.12.C**</b>	462
475.	E4Q.822.475. <b>.12.C**</b>	E4Q.820.475. <b>.12.C**</b>	475
487.	E4Q.822.487. <b>.12.C**</b>	E4Q.820.487. <b>.12.C**</b>	487
500.	E4Q.822.500. <b>.12.C**</b>	E4Q.820.500. <b>.12.C**</b>	500
512.	E4Q.822.512. <b>.12.C**</b>	E4Q.820.512. <b>.12.C**</b>	512
525.	E4Q.822.525. <b>.12.C**</b>	E4Q.820.525. <b>.12.C**</b>	525
537.	E4Q.822.537. <b>.12.C**</b>	E4Q.820.537. <b>.12.C**</b>	537
550.	E4Q.822.550. <b>.12.C**</b>	E4Q.820.550. <b>.12.C**</b>	550
562.	E4Q.822.562. <b>.12.C**</b>	E4Q.440.562. <b>.12.C**</b>	562
575.	E4Q.822.575. <b>.12.C**</b>	E4Q.820.575. <b>.12.C**</b>	575
587.	E4Q.822.587. <b>.12.C**</b>	E4Q.820.587. <b>.12.C**</b>	587
600.	E4Q.822.600. <b>.12.C**</b>	E4Q.820.600. <b>.12.C**</b>	600

<sup>1)</sup> One end pivoting - standard for E4Q mounting brackets. For the C-profile option please add index **.C**.  
\*\*Width available upon request. Please consult igus® for delivery time. (KMA = polymer metal mounting bracket)

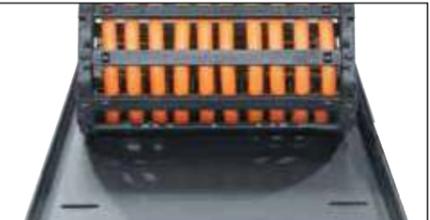
**Note:** \*The e-chains® may end with either an inner or an outer side link. An outer side link should always be the first e-chain® link at the moving end. Please specify the index **1** (for odd) or **2** (for even) depending on an even or odd number of links required.

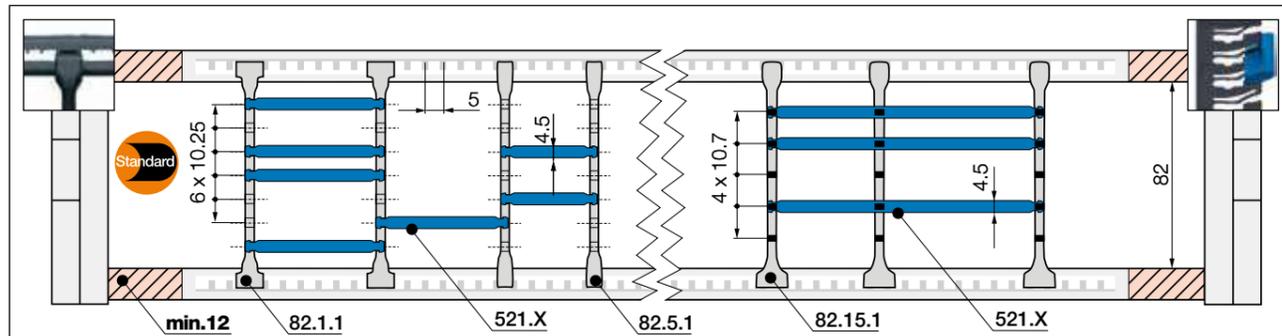


**Strain relief** e.g. clamps, tiwrap plates, nuggets and clips are available from stock. The complete chainfix range with ordering options ► From page 1392

**Steel support tray for support of the lower run**

- Simple one-piece support trays for the lower run
  - To your requirements and specification
  - 4 options available
- More information ► From page 1356





**Note:** Please be aware of the minimum lateral gap to the side links! **e-chain®: 12mm**  
As standard separators are fitted every 2<sup>nd</sup> e-chain® link!

**Standard separator, wide base**

unassembled	82.1
assembled	82.1.1

**Standard - for any application**  
Separator with a wide base for maximum holding force.

**Notch separator for notched crossbar**

unassembled	82.5
assembled	82.5.1

**Locks securely in preset increments**  
Notch separator for exact positioning. Recommended for side-mounted applications.

**Lean notch separator<sup>1)</sup>**

unassembled	82.15
assembled	82.15.1

**Lean notch separators<sup>1)</sup>**  
For quick fitting of shelves in several layers. Snaps securely into the crossbar in 5mm steps to be positioned securely.  
**1) Note: Please combine maximum 4 lean separators with one shelf.**  
**Not suitable for side-mounted e-chains®!**

**Shelf, lockable**

unassembled	520.X
assembled	521.X

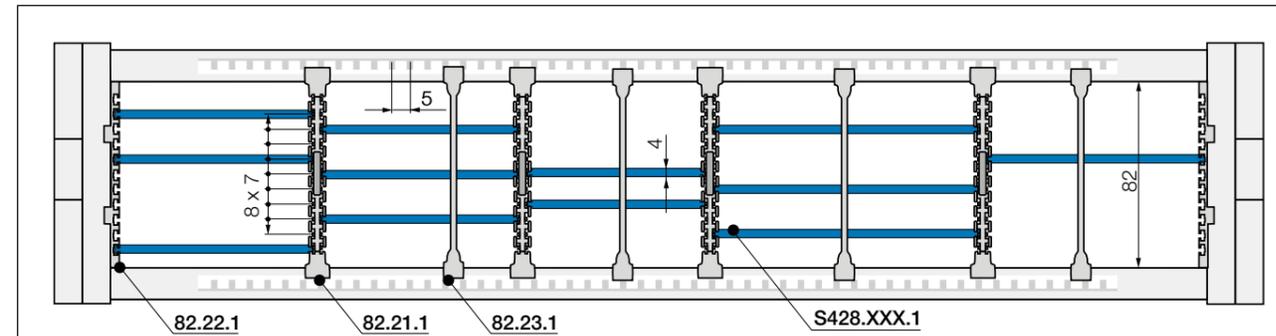
**Horizontal separation**  
Full-width shelf locks securely into separators at both ends, giving a fixed width. Can be used as full-width or partial shelf.

Shelves Width = X [mm]	X [mm]		X [mm]		X [mm]	
	unassembled	assembled	unassembled	assembled	unassembled	assembled
	050	520.050	521.050	150	520.150	521.150
	065	520.065	521.065	175	520.175	521.175
	075	520.075	521.075	200	520.200	521.200
	100	520.100	521.100	225	520.225	521.225
	125	520.125	521.125	250	520.250	521.250
				300	520.300	521.300
				350	520.350	521.350
				375	520.375	521.375
				387	520.387	521.387
				450	520.450	521.450

**Lean notch separator design principle | For even faster filling**

With the lean notch separator you can quickly insert several layers of cables into the e-chain® and reduce the installation time by up to 50%<sup>2)</sup>.

<sup>2)</sup> Lean interior separation vs. Standard separator - measured on a 4m long e-chain® fitted with 12 cables in the igus® readychain® factory



No lateral gap to side links necessary.  
As standard separators are fitted every 2<sup>nd</sup> e-chain® link!

**Universal middle plate**

unassembled	82.21
assembled	82.21.1

**Universal middle plates**  
The shelves can be inserted from both sides. The shelves are locked in place by means of the integrated slider and additionally when the crossbar is fitted. For unlocking, the crossbar must be removed - on the inner or outer radius.

**Universal side plate**

unassembled	82.22
assembled	82.22.1

**Universal side plates**  
Allow modular shelving right up to the side links. Shelves can be inserted from both sides.

**Separator**

unassembled	82.23
assembled	82.23.1

**Separators for universal interior separation**  
For additional vertical partitioning of the shelf system. When using the separator, the shelves can only be removed in one direction.

**Shelf**

unassembled	S428.XXX
assembled	S428.XXX.1

**Shelves for universal interior separation**  
Shelves of various widths can be arranged in steps of 7mm.

Shelves Width = XXX [mm]	XXX [mm]		XXX [mm]		XXX [mm]	
	unassembled	assembled	unassembled	assembled	unassembled	assembled
	018*	S428.018	S428.018.1	050 <sup>1)</sup>	S428.050	S428.050.1
	023*	S428.023	S428.023.1	054*	S428.054	S428.054.1
	025*	S428.025	S428.025.1	062 <sup>1)</sup>	S428.062	S428.062.1
	028*	S428.028	S428.028.1	075 <sup>1)</sup>	S428.075	S428.075.1
	033*	S428.033	S428.033.1	087*	S428.087	S428.087.1
	043*	S428.043	S428.043.1	100 <sup>1)</sup>	S428.100	S428.100.1
				108*	S428.108	S428.108.1
				125*	S428.125	S428.125.1
				150*	S428.150	S428.150.1
				175*	S428.175	S428.175.1
				200*	S428.200	S428.200.1
				208*	S428.208	S428.208.1

\*Width available upon request. Please consult igus® for delivery time. 1) Width available from spring 2021.