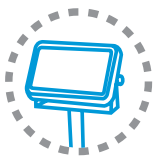


SINGLE LOAD CELL  
BENCH SCALE

# BAV



CELY  
INDICATOR  
VC SERIES

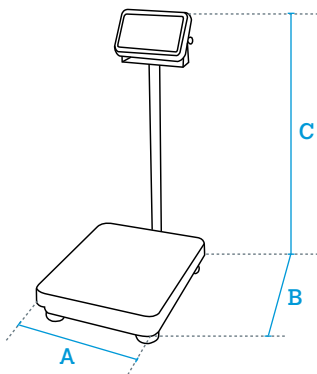


1 LOAD  
CELL



METROLOGICAL  
VERIFICATION  
OPTIONAL

## DIMENSIONS



DATA IN mm

A	B	C (min.)		C (max.)	
		VC-50 M	VC-80 I	VC-50 M	VC-80 I
350	450	855	800	870	815
420	520	915	860	930	875
600	800	915	860	930	875

# Specifications:

## Main characteristics

- Set consisting of weighing platform, column and weight indicator.
- 1 load cell.
- Valid for legal metrology (see section on equipment metrological verification).

## Functions

- Weight.
- Checkweighing (minimum-maximum).
- Accumulation.
- Zero.
- Tare.
- Piece counting (only VC-50 M).

## Construction

- Platform:
    - Steel structure (aluminium for model of 420 x 520 mm), aluminum load cell and stainless steel plate.
  - Height adjustable feet.
  - 2 weight indicator versions available:
    - VC-50 M.
    - VC-80 I.
- See section on weight indicators and repeaters.

## MODELS:

DIMENSIONS (MM)	RANGE (KG) (3,000 div.)	VC-50 M		VC-80 I	
		Ref.		Ref.	
<b>350 x 450</b>	30	71ASVC50M0002_		71ASVC80M0002_	
	60	71ASVC50M0001_		71ASVC80M0001_	
	150	71ASVC50M0003_		71ASVC80M0003_	
<b>420 x 520</b>	60	71AMVC50M0001_		71AMVC80M0001_	
	150	71AMVC50M0003_		71AMVC80M0003_	
	300	71AMVC50M0004_		71AMVC80M0004_	
<b>600 x 800</b>	300	71ALVC50M0004_		71ALVC80M0004_	
	600	71ALVC50M0005_		71ALVC80M0005_	