



98/83/EC



Canaletas
SOURCE OF LIFE

HEADQUARTERS AND FACTORY

Ronda de Llevant, 10
08820 El Prat de Llobregat
Barcelona (Spain)
T. +34 934 358 546
F. +34 934 350 604

INTERNET

www.canaletas.es
www.canaletas.com
info@canaletas.es

Canaletas reserves the right to make changes considered opportune to the information contained in the catalogue without prior notice, with the aim to improve its products.

Canaletas
SOURCE OF LIFE



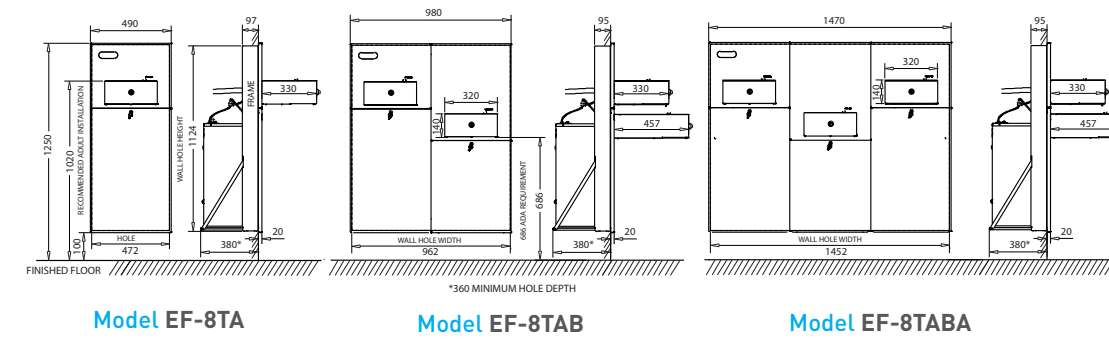
Series EF

Series EF

Semi-recessed drinking fountains.

Wall mounted barrier-free access, modular system.
Space-saving wall design for adults, children and disabled.

Made entirely from stainless steel, including the internal chassis.



Canaletas
SOURCE OF LIFE



Model EF-8TA

Series EF

Allows different water supply combinations while taking up very little passage space.

- Thanks to the coupling of drinking water fountains and cooling unit, several people can be supplied simultaneously.
- Semi-recessed wall design. The installation of the cooling unit inside the wall offers greater free passage space.
- All elements manufactured from high thickness stainless steel: top plate, front panels, interior chassis and cooling equipment.
- A-316 stainless steel water nozzle with hygienic protection.
- Anti-vandalism front push button and regulation of water height through exclusive high precision membrane valve.
- Greater hygiene since the push button is separate from the water jet.
- Deep rounded top plate with anti-splash design.
- Removable lower ventilation panel for easy maintenance access.
- Interior structure supporting the top plate, panels and cooling equipment.
- Easily regulated cold water temperature (thermostat).
- Possibility of emptying the cooling unit for greater hygiene.

Models. Modular system.

One or several users, according to height, dimensions and No. of top plates:

- A** Adult. H: 1020mm; DIMS.: 140 (H) x 320(W) x 330(D)mm
- B** Disabled. H: 686mm (ADA); DIMS.: 140mm (H) x 320(W) x 457(D)mm
- C** Child. H: 610mm (ADA); DIMS.: 140mm (H) x 320(W) x 330(D)mm

(As a minimum the adult (A) option is always necessary to couple other heights).

Models with:

- LV:** Top plate with cup filler.
- PV:** Models with cup holder and disposal side accessory.



Internal chassis
WARRANTY



Model EF-8TAC

Compact and powerful cooling unit.

Easy recessed installation.
Front ventilation toward the ventilation grilles.
Specific catalogue for the cooling unit (Series GF).



Cooling unit

Accessories



There is a specific catalogue for filters.

Technical data

	Series EF-8
Cooling power (W)	600
Power consumption (W)	230
Voltage 230V 50Hz single-phase (A) (Consult other options)	1,1
Cooling capacity (Room temp.:30°C, Input temp.:27°C, Output temp. 17°C) (l/h)	50
Water output speed (l/h)	60
Water tank capacity (l) (Optional: Stainless steel direct chill)	4,5
Cold water output temperature (°C) (Regulated by thermostat)	4-11
Refrigerant gas (CFC-free)	R-134a
Net weight (kg) Model EF-8TAB	60