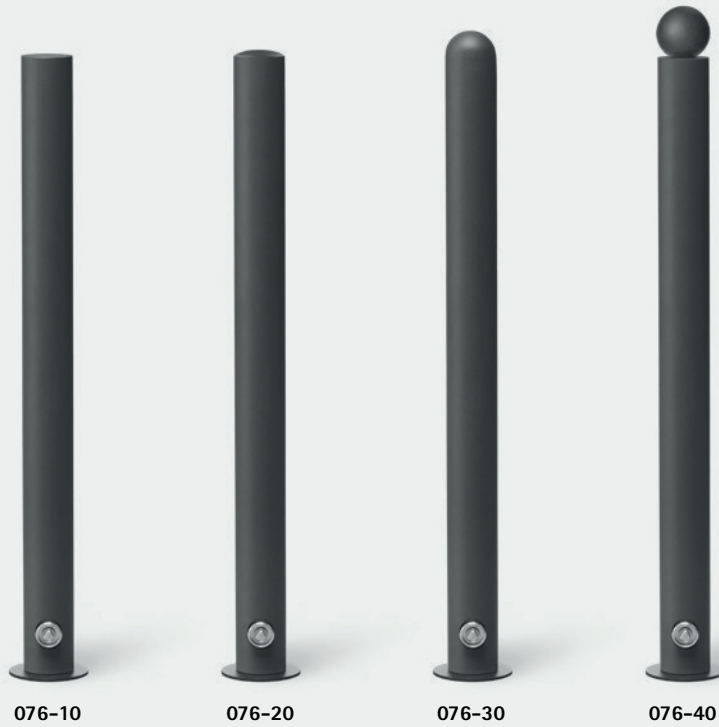


BOLLARD 076

Steel

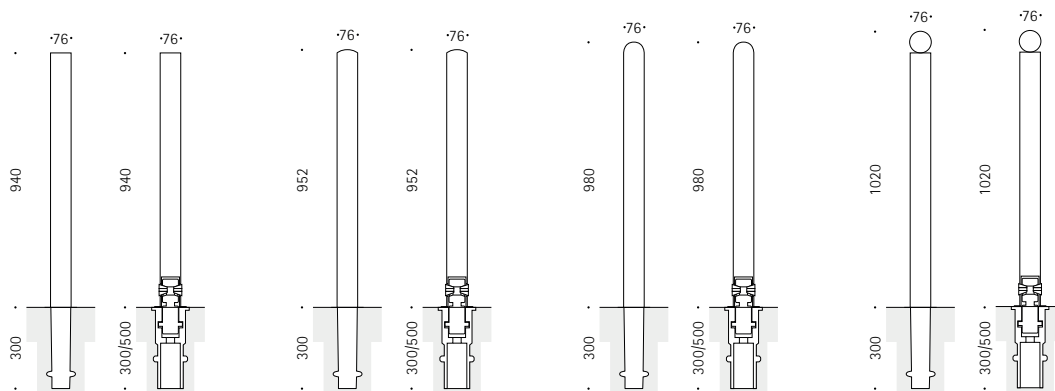


Diameter 76 mm:

Suitable for multipurpose clips to fasten signs, bins, dog waste containers etc.



Sample application



BOLLARD 076*Steel***Specifications**

- 076-10** Cylindrical bollard made from galvanised steel with flat top.
- 076-20** Cylindrical bollard made from galvanised steel with slightly curved top.
- 076-30** Cylindrical bollard made from galvanised steel with round top.
- 076-40** Cylindrical bollard made from galvanised steel with a spherical top.

Mounting

Removable with 3p-Technology

Alternative: concrete embedment

Optional: with flange to enable screwing

Finish

- Steel ST37, galvanised with powder coating in standard RAL colours or DB 703
- Suitable for multipurpose clips to fasten signs, bins, dog waste containers etc.

Note

The ground rosette is part of the delivery (3p-Technology)

Completely covers the ground shell

Material: ST37 steel, hot-dip galvanised and powder-coated in bollard paint



| | Top shape | Material | Fixed mounting | 3p-Technology |
|-----------------------|-----------------|--------------------------|----------------|----------------|
| Bollard 076-10 | flat | galvanised | 076.201 | 076.220 |
| | | galvanised/powder-coated | 076.301 | 076.320 |
| Bollard 076-20 | slightly curved | galvanised | 076.001 | 076.020 |
| | | galvanised/powder-coated | 076.101 | 076.120 |
| Bollard 076-30 | round | galvanised | 076.401 | 076.420 |
| | | galvanised/powder-coated | 076.501 | 076.520 |
| Bollard 076-40 | spherical | galvanised/powder-coated | 076.701 | 076.720 |

