

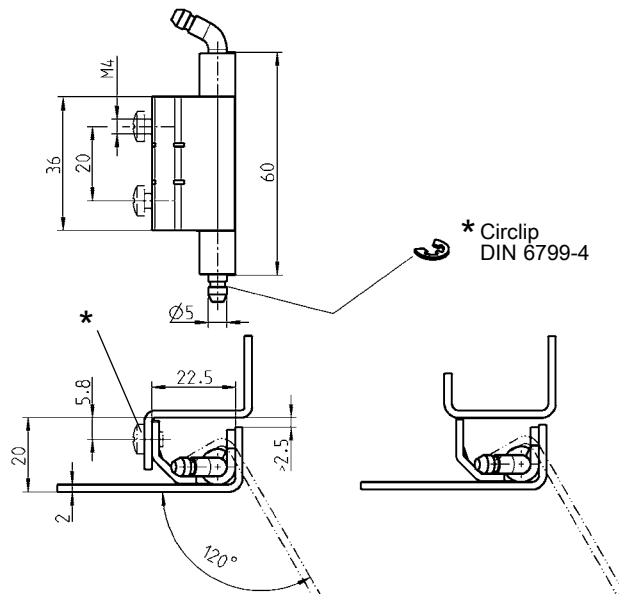
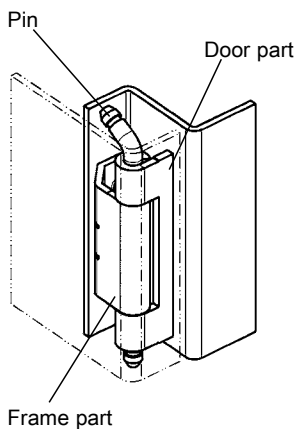
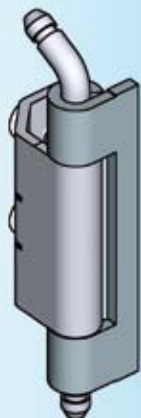
120° hinge PROGRAM 1069

Beschlagteile



120° hinge
for 20 mm door return

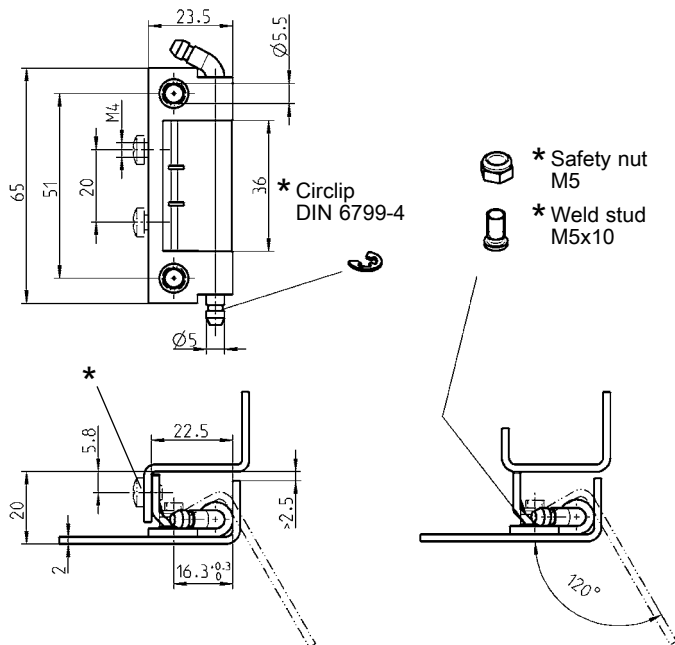
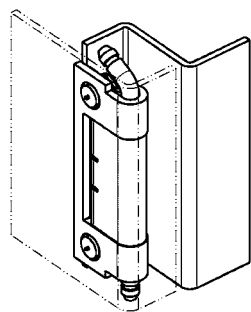
STAINLESS STEEL



Hinge m.s. zinc pl. or stainl. steel, door part m.s. raw or AISI 304

screw-on m.s.	1069-U1	weld-on m.s.	1069-U2
screw-on AISI 304	1069-U4	weld-on AISI 304	1069-U3

120° hinge for weld stud fastening
for 20 mm door return



* not included

Further parts see page
– Fixing material

12E-100

Hinge m.s.zinc plated; screw-on

1069-U6

Hinge m. s. zinc plated; weld-on

weld-on part m.s. raw

1069-U5