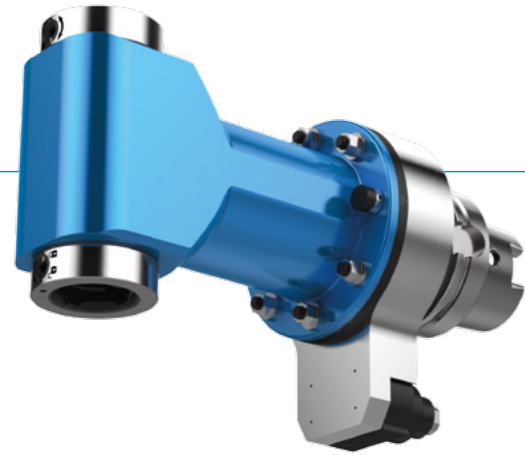


ANGLE HEAD DUO WZX

MODULAR DESIGN



ANGLE HEAD BODY (SIZE)

04 05 07 15 20

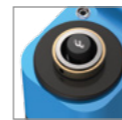
OUTPUT SPINDLE / CLAMPING SYSTEM



BENZ
Solidfix®



Collet chuck



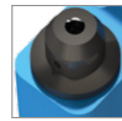
HSK



Milling arbor



Weldon



Whistle
Notch



KM™

DRIVE CONE



SK
DIN 69871



MAS BT



CAT



HSK
DIN 69893

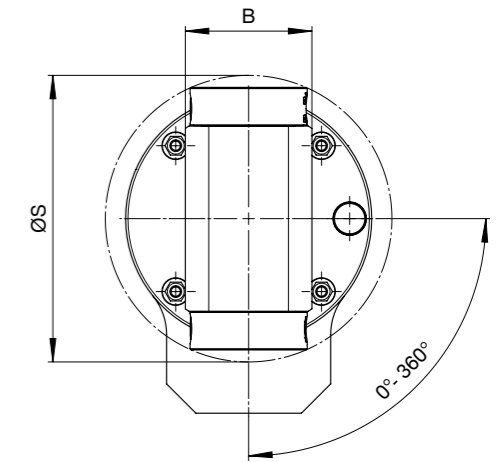
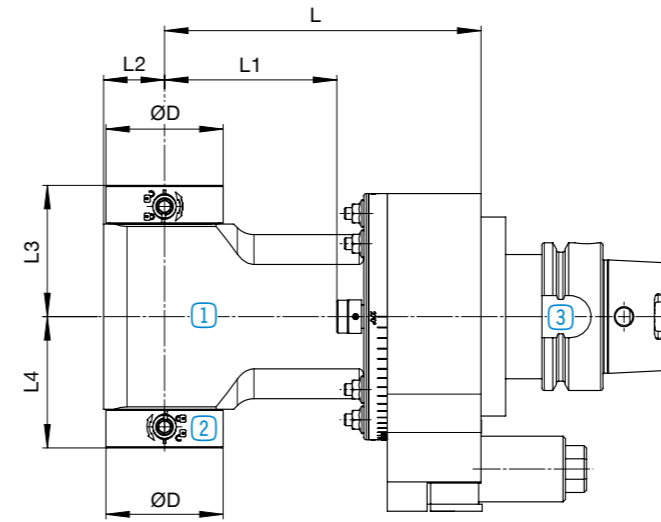


Coromant
Capto®



KM™

Angle head without IC



1 Angle head body
page 30



2 Output spindle /
clamping system
page 32



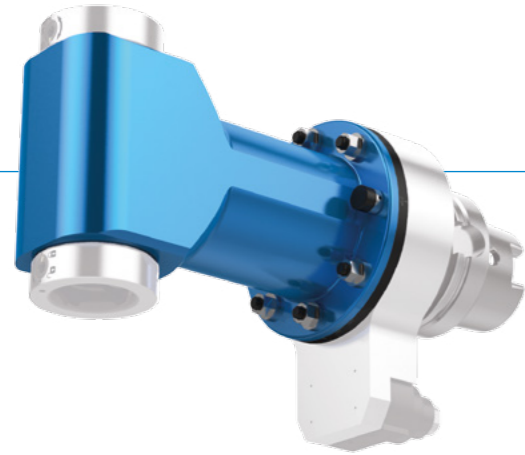
3 Drive cone
page 34

Specifications

Change the angle head	Machining	Number of output spindles	Axis angle	Coolant feed for cutting edge

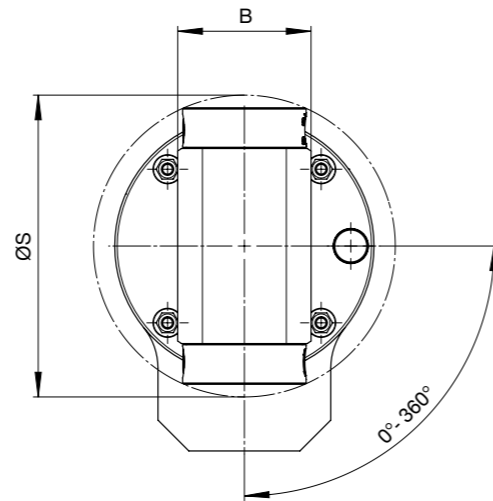
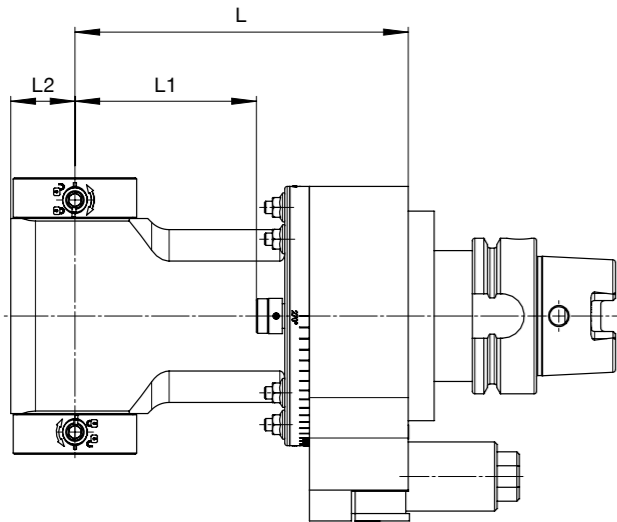
ANGLE HEAD DUO WZX

▶ ANGLE HEAD BODY (SIZE)



i More sizes on request.
Higher speeds are possible as an option.

▶ Angle head without IC



Size 04

M_{max} = 15 Nm
 i = 1:1
 n_{max} = 10,000 rpm

▶ Technical data

L1 [mm]	L2 [mm]	B [mm]	ØS [mm]	L [mm]	EC*	IC	Weight [kg]
43.5				95			4
93.5	24	46	107	145	-	-	4.3
123.5				175			4.5

Size 05

M_{max} = 30 Nm
 i = 1:1
 n_{max} = 8,000 rpm
 p_{max} = 70 bar*

▶ Technical data

L1 [mm]	L2 [mm]	B [mm]	ØS [mm]	L [mm]	EC*	IC	Weight [kg]
26.5				88	-		5
73.5	26	54	123	135	- / ✓	-	5.5
133.5				195	- / ✓		6.5

Size 07

M_{max} = 70 Nm
 i = 1:1
 n_{max} = 6,000 rpm
 p_{max} = 70 bar*

▶ Technical data

L1 [mm]	L2 [mm]	B [mm]	ØS [mm]	L [mm]	EC*	IC	Weight [kg]
43.5				105	-		8.5
88.5	35	80	157	150	- / ✓	-	9.5
153.5				215	- / ✓		11

Size 15

M_{max} = 150 Nm
 i = 1:1
 n_{max} = 4,000 rpm
 p_{max} = 70 bar*

▶ Technical data

L1 [mm]	L2 [mm]	B [mm]	ØS [mm]	L [mm]	EC*	IC	Weight [kg]
85.5				155	-		14.5
155.5	40	92	188	225	- / ✓	-	17
228.5				298	- / ✓		19.5

Size 20

M_{max} = 230 Nm
 i = 1:1
 n_{max} = 3,000 rpm
 p_{max} = 70 bar*

▶ Technical data

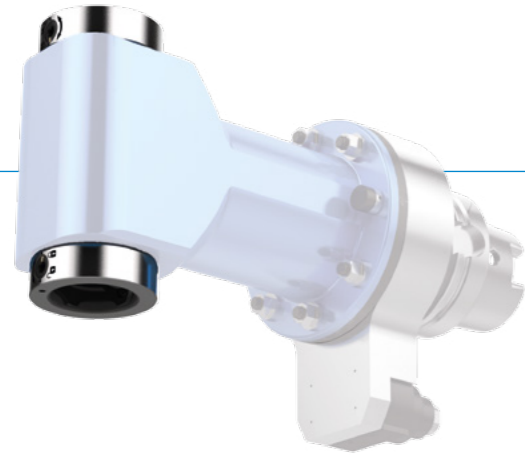
L1 [mm]	L2 [mm]	B [mm]	ØS [mm]	L [mm]	EC*	IC	Weight [kg]
101				171	-		16.5
171	45	100	205	241	- / ✓	-	19
241				311	- / ✓		21.5



*Optional: EC via spray nozzle

ANGLE HEAD DUO WZX

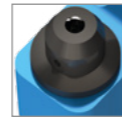
▶ OUTPUT SPINDLE / CLAMPING SYSTEM



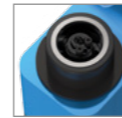
i Technical data for other output spindles / clamping systems on request:



Weldon

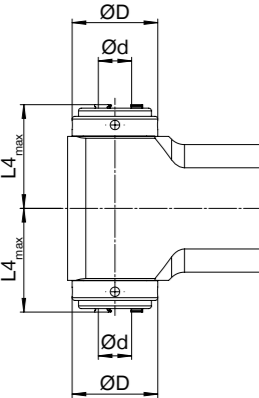


Whistle Notch



KM™

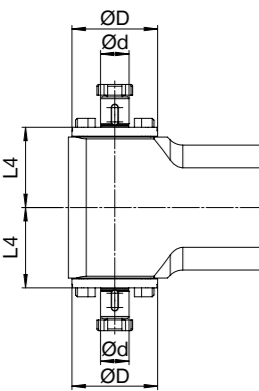
i We show you **preferable sizes** in the following tables. Smaller output spindles are possible at any time as an option.



Collet chuck

▶ Technical data

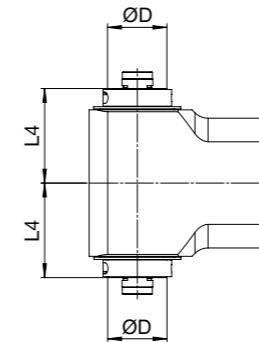
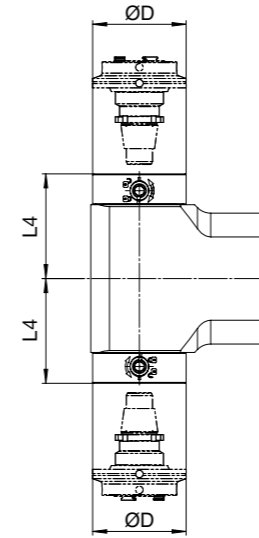
	Size	L4 _{max} [mm]	ØD [mm]	Ød _{max} [mm]
ER16A	04	46	44	10
ER20A	04	54	44	13
ER25A	05	57	47	16
ER32A	07	69	55	20
ER40A	15	82	70	30
ER40A	20	82	75	30



Milling arbor

▶ Technical data

	Size	L4 [mm]	ØD [mm]	Ød [mm]
22	05	48	48	22
27	07	62.5	60	27
32	15	76	75	32
40	15	77.5	80	40
40	20	77.5	80	40



i For adapters and dimensions, see catalogue **BENZ Modular Tool Systems**



BENZ Solidfix®

▶ Technical data

	Size	L4 [mm]	ØD [mm]
S2	04	49.5	40
S3	05	56	50
S4	07	72	63
S5	15	86	75
S5	20	90	75



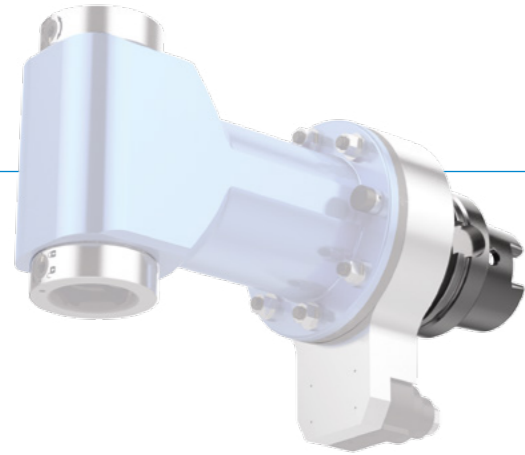
HSK

▶ Technical data

	Size	L4 [mm]	ØD [mm]
HSK 40	05	59	40
HSK 50	07	68	50
HSK 63	15	93	63
HSK 63	20	99	63

ANGLE HEAD DUO WZX

DRIVE CONE



i Technical data for other machine interfaces on request.

Type: Hollow shank taper



	Size				
	04	05	07	15	20
HSK DIN 69893					
HSK 40	✓	-	-	-	-
HSK 50	✓	✓	-	-	-
HSK 63	✓	✓	✓	-	-
HSK 80	✓	✓	✓	✓	-
HSK 100	✓	✓	✓	✓	✓



	Size				
	04	05	07	15	20
Coromant Capto®					
C3	✓	-	-	-	-
C4	✓	✓	-	-	-
C5	✓	✓	✓	✓	-
C6	✓	✓	✓	✓	✓
C8	✓	✓	✓	✓	✓

Type: Steep taper



	Size				
	04	05	07	15	20
SK DIN 69871					
SK 40	✓	✓	✓	-	-
SK 50	✓	✓	✓	✓	✓



	Size				
	04	05	07	15	20
MAS BT					
BT 40	✓	✓	✓	-	-
BT 50	✓	✓	✓	✓	✓



	Size				
	04	05	07	15	20
CAT					
CAT 40	✓	✓	✓	-	-
CAT 50	✓	✓	✓	✓	✓



	Size				
	04	05	07	15	20
Kennametal™					
KM 40	✓	-	-	-	-
KM 50	✓	✓	-	-	-
KM 63	✓	✓	✓	-	-
KM 80	✓	✓	✓	✓	-
KM 100	✓	✓	✓	✓	✓