

Info

1 Quarter turns

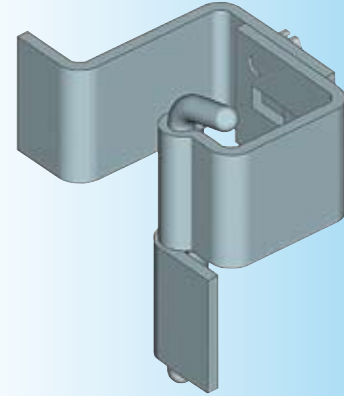


2 Rod controls



3 Locking systems

4 Hinges



5 Gasketing

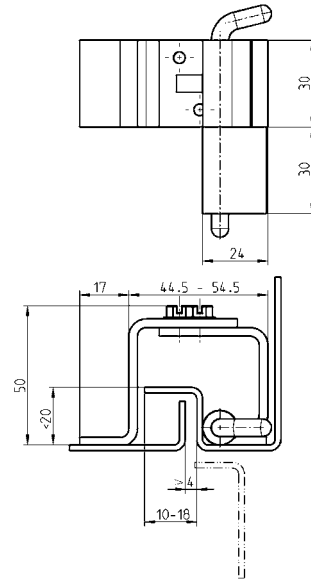
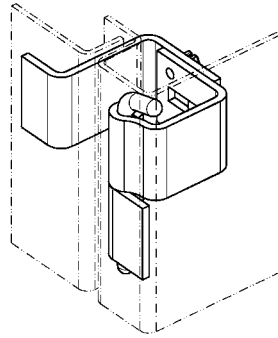
6 Handles

7 Aluminium windows

8 Stainless steel



STAINLESS STEEL

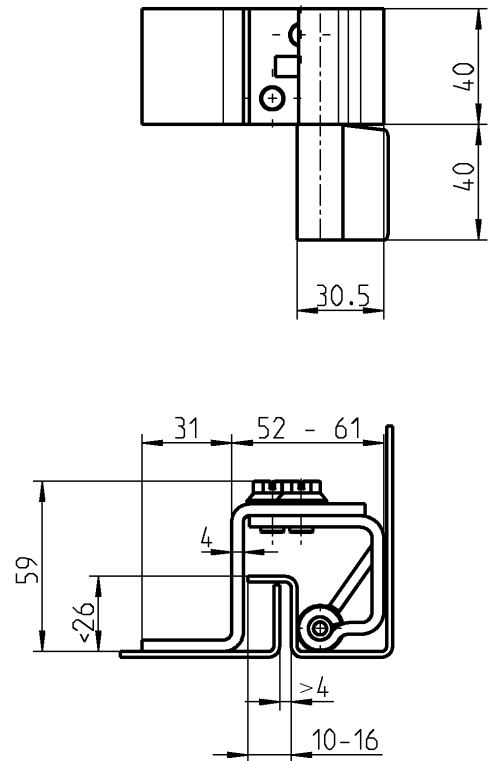
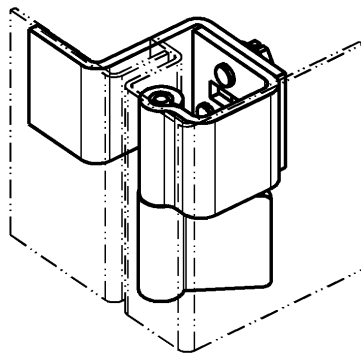


Concealed hinge AISI 304 and AISI 303

1006-U1-PC



STAINLESS STEEL



Concealed hinge AISI 304 and AISI 303

1046-U5