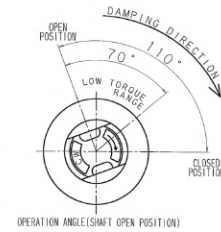


TD118 SERIES

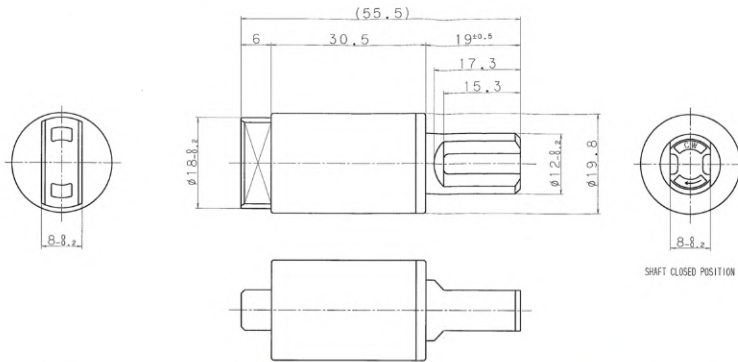


- FEATURES**
- RoHS compliance
 - Max. Torque 3.5N·m available with all plastic material

OPERATION ANGLE(SHAFT OPEN POSITION)



Above drawing shows operation angle of TD118A1 series dampers. Operation angle for TD118B1 series dampers are symmetrical to the vertical line. Shaft position at the time of shipment is closed position.



<Standard Components>

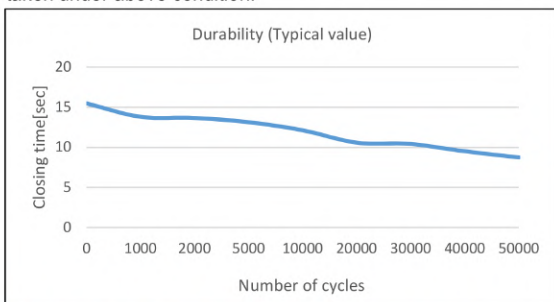
Part name	Material
Housing	PBT
Shaft	PA66
Cap	PBT

Code	Part No.	Allowable Torque [N·m]	(Kgf·cm)	Direction
611808	TD118A1-15K	[1.5]	(15)	CW(R)
611806	TD118A1-20K	[2.0]	(20)	CW(R)
611804	TD118A1-25K	[2.5]	(25)	CW(R)
611802	TD118A1-30K	[3.0]	(30)	CW(R)
611800	TD118A1-35K	[3.5]	(35)	CW(R)

Code	Part No.	Allowable Torque [N·m]	(Kgf·cm)	Direction
611809	TD118B1-15K	[1.5]	(15)	CCW(L)
611807	TD118B1-20K	[2.0]	(20)	CCW(L)
611805	TD118B1-25K	[2.5]	(25)	CCW(L)
611803	TD118B1-30K	[3.0]	(30)	CCW(L)
611801	TD118B1-35K	[3.5]	(35)	CCW(L)

DURABILITY

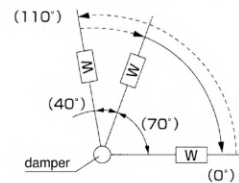
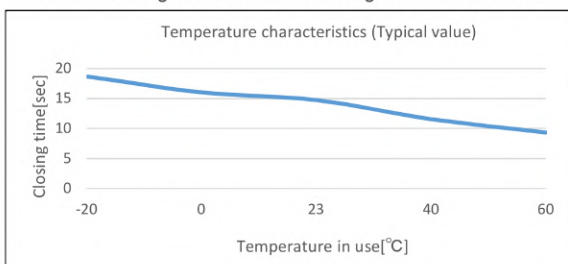
Each damper is set-up with an applied torque and weight on the shaft of the testing device. Measurements for closing time are taken under above condition.



Operation angle	110°	
Durability	50,000 cycles	
Closing time	Applied torque	Initial value
	1.5N·m(15kgf·cm)	6~20 (sec)
	2.0N·m(20kgf·cm)	6~20 (sec)
	2.5N·m(25kgf·cm)	6~20 (sec)
	3.0N·m(30kgf·cm)	6~20 (sec)
3.5N·m(35kgf·cm)	6~20 (sec)	

TEMPERATURE CHARACTERISTICS

After the damper is stabilized at room temperature for 1 hour or more. The closing time is measured using a TOK made device.



TEST CONDITION

- ①Setting-up time : 20 sec/cycle
- ②Applied torque :
 - 1.5N·m(15kgf·cm)
 - 2.0N·m(20kgf·cm)
 - 2.5N·m(25kgf·cm)
 - 3.0N·m(30kgf·cm)
 - 3.5N·m(35kgf·cm)
- ③Temperature : 23°C±2°C
- ④Angle for measuring the closing time : 70° → 0°
- ⑤Radial force : nothing
- ⑥Closing time after durability test : 1 sec. or more

TOK, Inc.

HEAD OFFICE, TOKYO, JAPAN – TEL : 81-3-3969-1534 FAX : 81-3-3969-9354
EMAIL : en-contact@tok-inc.com

Product specification are subject to change without prior notice.

Before assembly or use of any bearing, please read "Caution for Use"