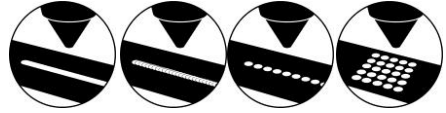




Built-in unit 313

Technical data sheet



- Marking area 120 x 20 mm (X/Y)
- Diversity in marking technologies: stylus, scribe and dot marking
- DataMatrix coding (ECC 200)
- Compact and solid built-in unit for flexible markings
- Robust ball bearing spindles and carriage with circular ball track in both axes
- Drive with powerful stepping motors
- Marking controller: EK2-Box with membrane keyboard and display, protection class IP 53



Application area

The built-in unit 313 can be integrated in production lines. It is suitable for plain text markings in stylus marking or DataMatrix coding in steel or aluminium. Scribe marking is also possible.

Standard delivery is with LDM Macro software. Standard settings are printer or layout mode. As an option the VisuWin SE as well as VisuWin PRO PC software are available.

Options

- Pneumatic adjustment unit (50mm, 80 mm or 100 mm stroke)
- Electric adjustment unit (125 mm stroke, only in conjunction with EG2-Box)
- Surface touching (only in conjunction with electric adjustment unit)
- Dirt cover at the bottom of the marking unit





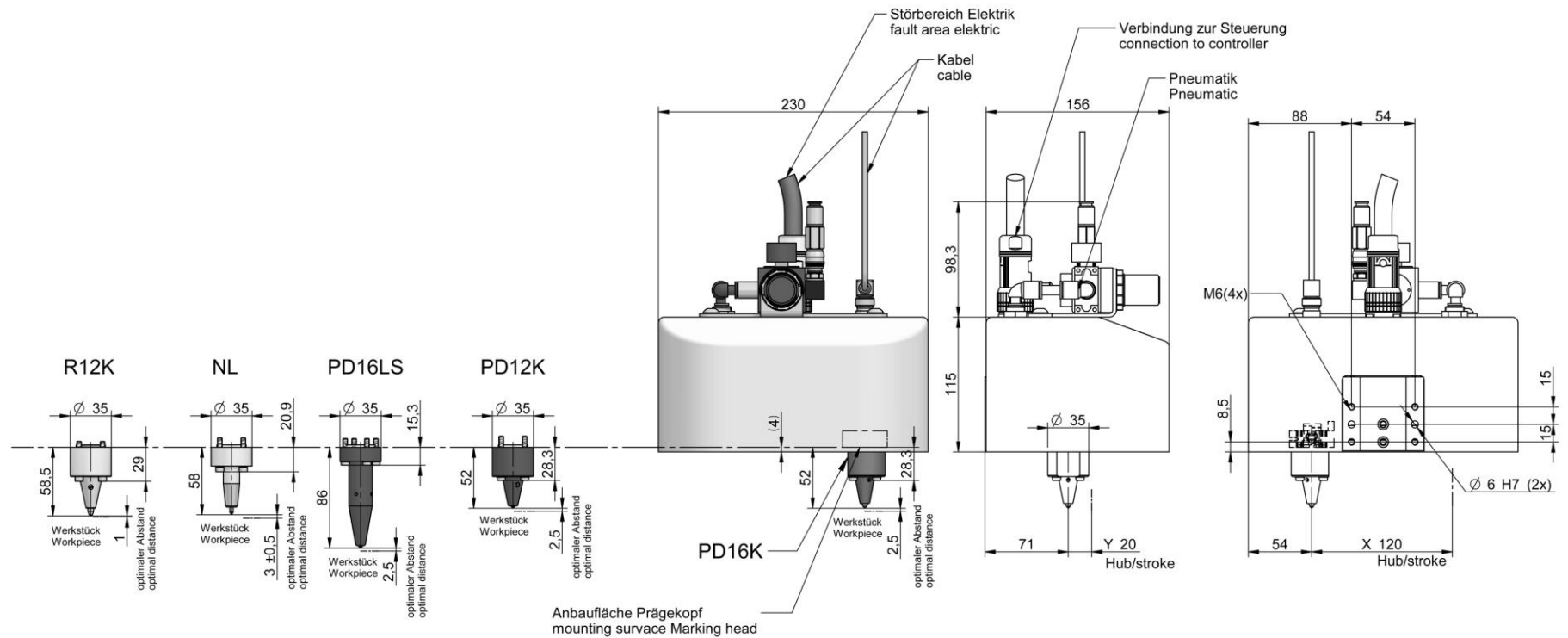
Technical data

Property	Measure, Unit, Explanation
Dimensions built-in unit (W x D x H)	230 x 156 x 213 mm (without attachments)
Marking area (X, Y)	120 x 20 mm
Weight (without controller)	approx. 3,5 kg
Marking speed (depending on character size and shape, marking process and motorization)	up to 6 characters/ second
Character height	from 1 mm (enhancing in 0,1 mm steps)
Mounting position	freely selectable
Documentation	German, English or French other languages are optional
Penetration depth marking tip (depending on material, marking head and marking process)	approx. 0.01 – 0.5 mm (see data sheet marking heads)
Font	DIN 1451, 7 x 5 stylus, scribe, dot marking DataMatrix Other fonts are optional
Special signs, logos	according to specifications
Marking direction	straight line, angle or circular arc
Power supply	
Power supply with connecting cable	230 V AC \pm 10 %, 50/60 Hz or 115 V AC \pm 10 %, 50/60 Hz switchable
Pneumatic connection (supply pressure) technically provided compressed air	At least 5 bar dried, oil-free, filtered with 50 μ m
Working pressure (marking pressure)	At least 2 bar up to max. 4 bar

Technical details are subject to change.

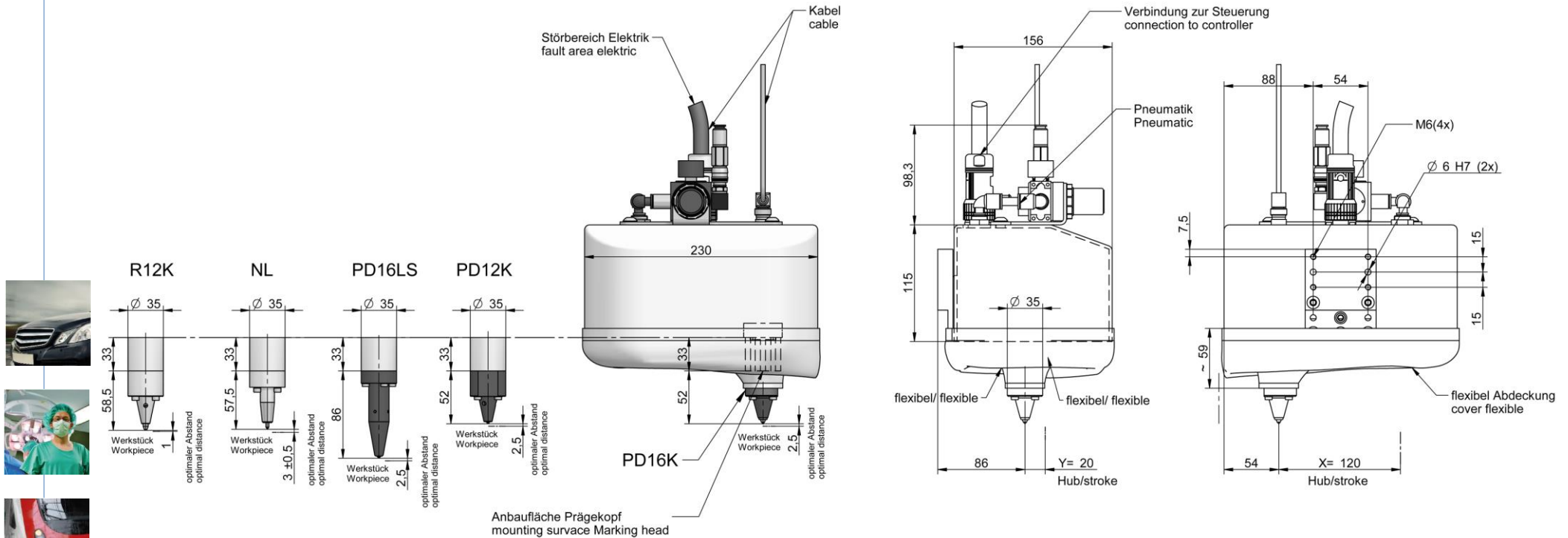


Drawing built-in unit 313 without dirt cover



Dimensions in mm
 Technical details are subject to change
 Date: August 2015

Drawing built-in unit 313 with dirt cover



Dimensions in mm
 Technical details are subject to change.
 Date: August 2015