



BSS/WA



SK



FK



PF

## COUPLING JOINTS for rotary encoders

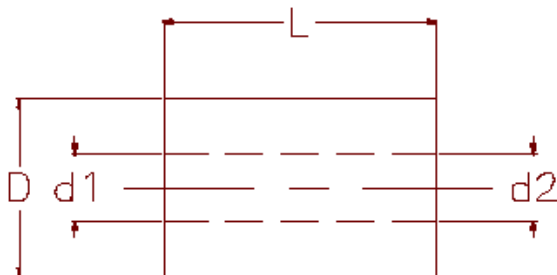
- **The flexible joint mounted on the encoder shaft grants an excellent coupling, without parallel and angular mis-alignment, and avoids overloads, which can damage the bushings life.**

BSS	WA	FK	SK	PF
Aluminium joint Hole Ø 6-10 or 6-6 mm	Aluminium joint Hole Ø 8-8 or 10-10 mm	Nickel-plated steel joint Hole Ø 6-6, 6-8 or 8-8 mm	Polyamid fiberglass reinforced joint with aluminium insertion Hole Ø 4-4, 6-6, 8-8, 10-10 mm	Paguflex type joint out of galvanized steel with polyurethane connecting element Hole Ø 6-6, 8-8, 10-10 mm

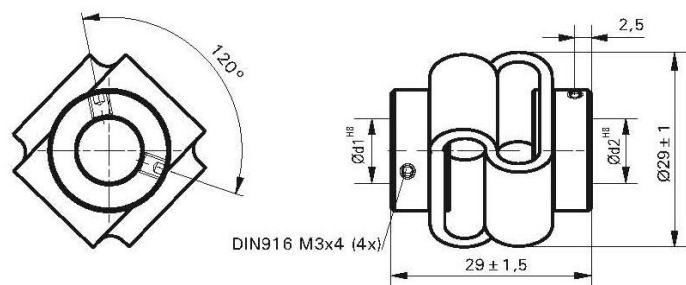
TYPE	CODE	MATERIAL	SPECIFICATIONS		DIMENSIONS Ø x Length mm	HOLE d1/d2 mm
			TORQUE without inversion/ with inversion	SHAFT MAX OFFSET Angular/parallel		
BSS40610	BSS40610	Aluminium	2,6 / 1,3 Nm	7° / 0,25 mm	23 X 19	6 / 10
BSS06-06	BSS0606		2,6 / 1,3 Nm	7° / 0,25 mm	20 x 19	6 / 6
WA 8-8	WA8-8	Aluminium	0,95 / 0,475 Nm	5° / 0,25 mm	22 x 25	8 / 8
WA 10-10	WA10-10		1,1 / 0,55 Nm	5° / 0,25 mm	25 x 24	10 / 10
SK 4-4	SK4-4	Polyamid fiberglass reinforced with aluminium insertion	0,20 / 0,10 Nm	2,5° / 0,25 mm	15 x 20	4 / 4
SK 6-6	SK6-6		0,80 / 0,40 Nm	3° / 0,25 mm	22 x 24	6 / 6
SK 8-8	SK8-8		0,80 / 0,40 Nm	3° / 0,25 mm	22 x 24	8 / 8
SK 10-10	SK10-10		0,80 / 0,40 Nm	3° / 0,25 mm	22 x 24	10 / 10
FK 6-6	FK6-6	Nickel-plated steel	0,1 Nm max	1° / 1 mm	16 x 35	6 / 6
FK 6-8	FK6-8		0,1 Nm max	1° / 1 mm	16 x 35	6 / 8
FK 8-8	FK8-8		0,1 Nm max	1° / 1 mm	16 x 35	8 / 8
PF 6-6	PF0606	Galvanized steel with polyurethane connecting elem.	0,5 Nm max	10°/2 mm	29 x 29	6 / 6
PF 8-8	PF0808		0,5 Nm max	10°/2 mm	29 x 29	8 / 8
PF 10-10	PF1010		0,5 Nm max	10°/2 mm	29 x 29	10 / 10

### DIMENSIONS

Joints BSS/WA/SK/FK



Paguflex joint PF







Supporting arm B100



Encoder SEB with arm and wheel 251

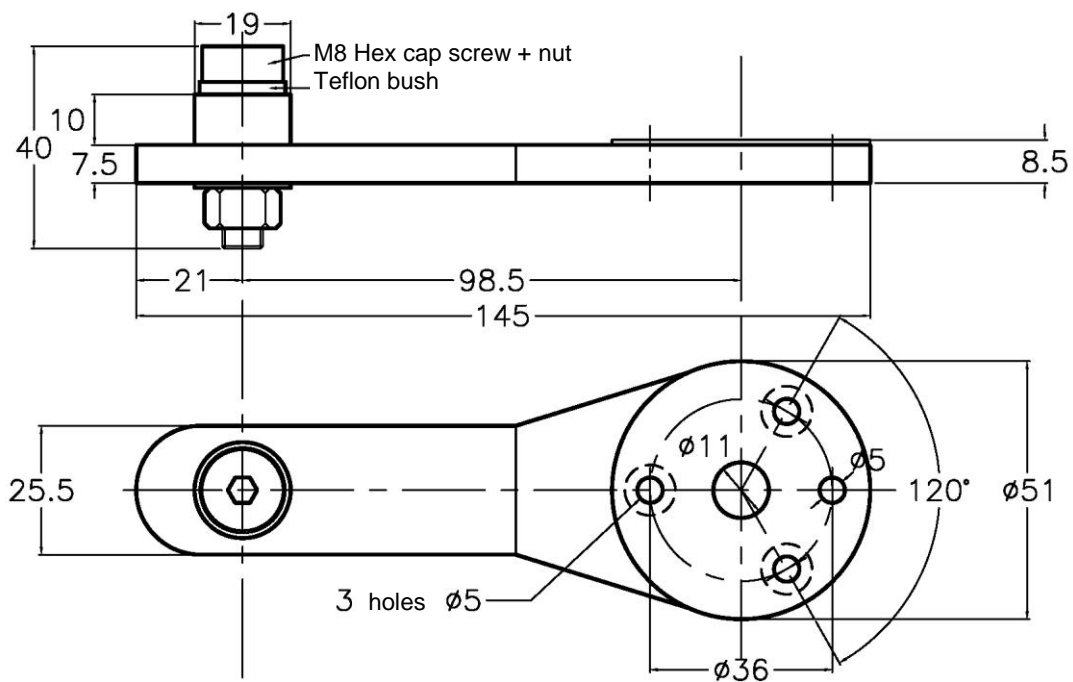
## SUPPORTING ARM for rotary encoders

### Supporting arm B100

Aluminium supporting arm fit for encoders with protruding shaft – specially fitted for encoders series SEB

### DIMENSIONS

#### B100 Supporting arm



Supplied with 3 TSPEI M5x16 hexagon socket countersunk flat head cap screw

Rif.M1312A

