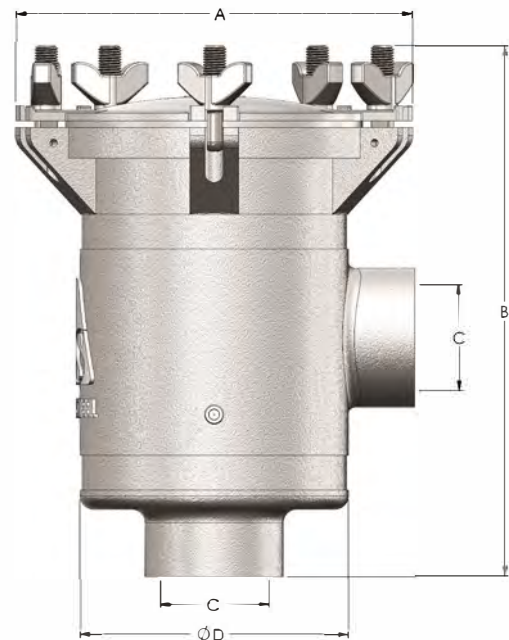


BISO Strainers - Bottom Inlet, Side Outlet

Application:	<ul style="list-style-type: none"> • Suitable for applications where a superior corrosion-resistant stainless steel is required to filter liquids. Commonly used to strain seawater for engines, generators, HVAC systems in vessels. However, it can be used for other liquids that require a high-grade stainless steel filter to protect pumps, nozzles, and injectors from large particles.
Body Material:	<ul style="list-style-type: none"> • Electro-polished AISI 2205 cast stainless steel
Lid Material:	<ul style="list-style-type: none"> • Electro-polished AISI 2205 cast stainless steel
Features:	<ul style="list-style-type: none"> • Offset outlet for improved performance • Secured by five wing nuts for safe, quick, and easy access • No tools required • Swing-down eye bolts eliminates need to remove nuts • BSP thread inlet and outlet; flanges available on request • Full height, high-impact-resistant ABS basket • Cast anode connection point to combat galvanic corrosion
Options:	<ul style="list-style-type: none"> • 316 stainless steel basket • Clear polycarbonate or solid lid



Size BSP (inch)	Part No.	Lid	Flow Rate 1 Bar L/Min	Lid Width A (mm)	Height B (mm)	Thread Size C BSP (inch)	Thread Type	Body Width D (mm)	Weight (kg)
1	WS-BISO-100-C-A	clear	425	150	235	1	male x female	95	2.90
	WS-BISO-100-S-A	solid	425	150	235	1	male x female	95	3.10
1½	WS-BISO-150-C-A	clear	903	150	235	1½	male x female	95	3.05
	WS-BISO-150-S-A	solid	903	150	235	1½	male x female	95	3.15
2	WS-BISO-200-C-A	clear	1,375	200	272	2	male x female	140	5.70
	WS-BISO-200-S-A	solid	1,375	200	272	2	male x female	140	6.20
2½	WS-BISO-250-C-A	clear	1,974	200	272	2½	female x female	140	5.90
	WS-BISO-250-S-A	solid	1,974	200	272	2½	female x female	140	6.25
3	WS-BISO-300-C-A	clear	3,103	235	332	3	female x female	164	11.55
	WS-BISO-300-S-A	solid	3,103	235	332	3	female x female	164	12.30
4	WS-BISO-400-C-A	clear	5,710	273	474	4	female x female	220	18.15
	WS-BISO-400-S-A	solid	5,710	273	474	4	female x female	220	18.95
6	WS-BISO-600-S-A	solid	13,538	360	510	6	female x female	310	32.00



SISO Strainers - Side Inlet, Side Outlet

Application:	<ul style="list-style-type: none"> Suitable for applications where a superior corrosion-resistant stainless steel is required to filter liquids. Commonly used to strain seawater for engines, generators, HVAC systems in vessels. However, it can be used for other liquids that require a high-grade stainless steel filter to protect pumps, nozzles, and injectors from large particles.
Body Material:	<ul style="list-style-type: none"> Electro-polished AISI 2205 cast stainless steel
Lid Material:	<ul style="list-style-type: none"> Electro-polished AISI 2205 cast stainless steel
Features:	<ul style="list-style-type: none"> Offset inlet and outlet for improved performance Free standing, base mounted Secured by five wing nuts for safe, quick, and easy access No tools required Swing-down eye bolts eliminates need to remove nuts BSP thread inlet and outlet, flanges available on request Full height high-impact-resistant ABS basket Cast anode connection point to combat galvanic corrosion Drain plug Lower outlet position allows for applications that require a header tank or mounting above the waterline
Options:	<ul style="list-style-type: none"> 316 stainless steel basket Clear polycarbonate or solid lid



Size BSP (inch)	Part No.	Lid	Flow Rate 1 Bar L/Min	Lid Width A (mm)	Height B (mm)	Thread Size C BSP (inch)	Thread Type	Body Width D (mm)	Weight (kg)
1	WS-SISO-100-C-A	clear	332	150	235	1	female x female	95	3.60
	WS-SISO-100-S-A	solid	332	150	235	1	female x female	95	3.75
1¼	WS-SISO-125-C-A	clear	535	200	269	1¼	female x female	133	6.39
	WS-SISO-125-S-A	solid	535	200	269	1¼	female x female	133	6.85
1½	WS-SISO-150-C-A	clear	171	200	269	1½	female x female	133	6.45
	WS-SISO-150-S-A	solid	171	200	269	1½	female x female	133	6.75
2	WS-SISO-200-C-A	clear	1,349	200	269	2	female x female	133	6.40
	WS-SISO-200-S-A	solid	1,349	200	269	2	female x female	133	6.90
2½	WS-SISO-250-C-A	clear	1,882	235	365	2½	female x female	164	13.35
	WS-SISO-250-S-A	solid	1,882	235	365	2½	female x female	164	13.95
3	WS-SISO-300-C-A	clear	2,761	235	365	3	female x female	164	14.30
	WS-SISO-300-S-A	solid	2,761	235	365	3	female x female	164	15.15
4	WS-SISO-400-C-A	clear	5,366	273	478	4	female x female	221	22.95
	WS-SISO-400-S-A	solid	5,366	273	478	4	female x female	221	23.75

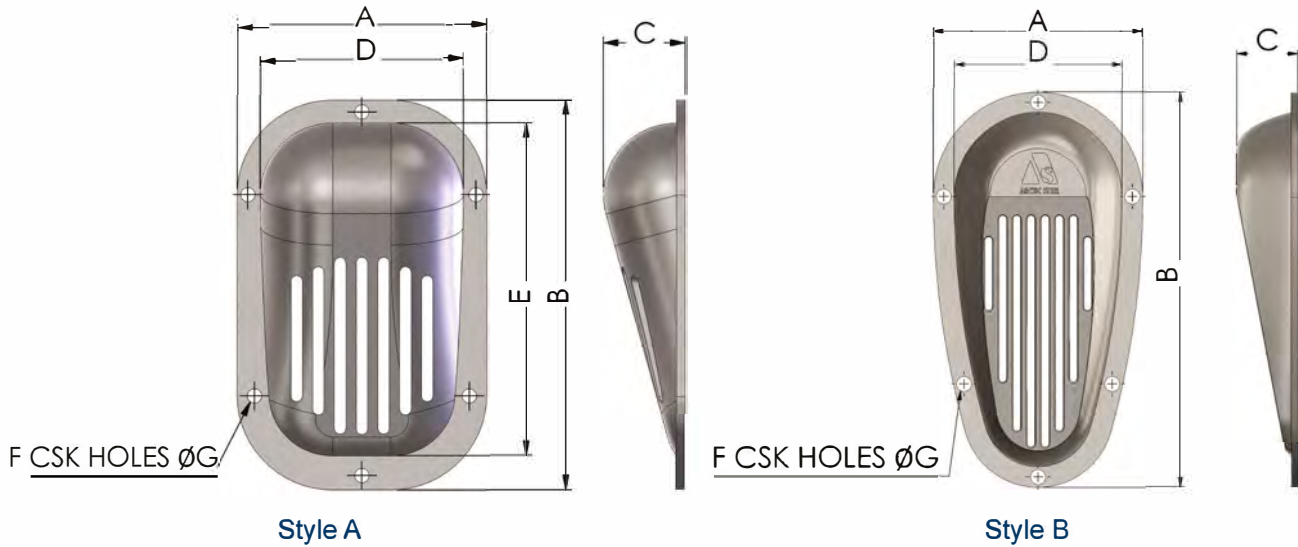
**ARCTIC STEEL**

+44 (0)1772 323529
 europe.dixonvalve.com

DGEL2020

Inlet Scoop Strainers

Application:	<ul style="list-style-type: none"> Designed to scoop water into thru hull fittings when the boat is in motion, at the same time preventing large particles and debris from entering the marine systems aboard.
Material:	<ul style="list-style-type: none"> Solid cast 2205 stainless steel



Size (mm)	Part No.	A (mm)	B (mm)	B (mm)	B (mm)	B (mm)	F (mm)	B (mm)	Style	Fits Thru Hulls (inch)	Weight (kg)
140 x 100	ISS140-100	100	140	28	70	115	6	5	A	½, ¾, 1	0.40
210 x 115	ISS210-115	115	210	32	82	180	6	5	B	1¼, 1½	0.65
315 x 160	ISS315-160	160	315	50	127	280	8	5	B	2, 2½, 3	1.8
410 x 206	ISS410-206	206	410	60	170	370	10	5	B	4	3.9
510 x 280	ISS510-280	275	507	70	230	470	12	6	B	6	4.7

Inlet Rose Strainers



Size (mm)	Part No.	B (mm)	B (mm)	C (mm)	D (mm)	B (mm)	Fits Thru Hulls (inch)	Weight (kg)
90	IRS-90	90	66	23	4	5	½, ¾, 1	0.10
150	IRS-150	153	118	35	6	5	1¼, 1½, 2, 2½, 3	0.65



ARCTIC STEEL

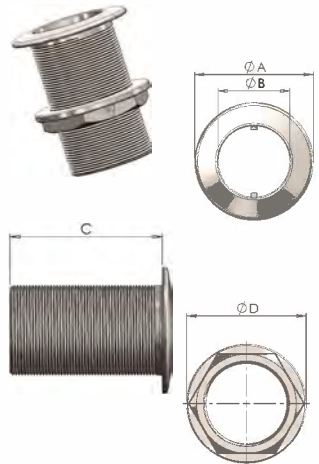


+44 (0)1772 323529
europe.dixonvalve.com

DGEL2020



Thru Hull Skin Fittings



Material: • Solid cast 2205 stainless steel

Thread BSP (inch)	Part No.	h (mm)	E (mm)	E (mm)	h (mm)	Fits Inlet Scoops	Weight (kg)
½	TH/SF-050A	38	12	55	38	ISS140-100, IRS-90	0.20
¾	TH/SF-075A	45	18.5	65	45	ISS140-100, IRS-90	0.25
1	TH/SF-100A	51.5	24	86	51.5	ISS140-100, IRS-90	0.40
1¼	TH/SF-125A	61.5	30.9	85	63.5	ISS210-115, IRS-150	0.50
1½	TH/SF-150A	70	40	85	70	ISS210-115, IRS-150	0.55
2	TH/SF-200A	84	50.8	100	84	ISS315-160, IRS-150	0.80
2½	TH/SF-250A	98	62.5	100	98	ISS315-160, IRS-150	1.30
3	TH/SF-300A	116	78	124	116	ISS315-160, IRS-150	1.65
4	TH/SF-400A	145	94	150	145	ISS410-206	3.60
long reach ¾	TH/SF-LR-075A	45	18.5	110	45	ISS140-100	0.35
long reach 1	TH/SF-LR-100A	51.5	24	110	51.5	ISS140-100	0.45
long reach 1½	TH/SF-LR-150A	70	40	114.5	70	ISS210-115	0.60

Water Strainer Accessories ABS Plastic Baskets



Size (inch)	Style	Part No.	Weight (kg)
1, 1½	BISO	WS-BISO-150-005	0.05
2, 2½	BISO	WS-BISO-250-005	0.20
3	BISO	WS-BISO-300-005	0.25
4	BISO	WS-BISO-400-005	0.45
6	BISO	WS-BISO-600-005	0.75
1	SISO	WS-SISO-100-005	0.05
1¼, 1½, 2	SISO	WS-SISO-200-005	0.15
2½, 3	SISO	WS-SISO-300-005	0.40
4	SISO	WS-SISO-400-005	0.60



316 Stainless Steel Baskets

Size (inch)	Style	Part No.	Weight (kg)
1, 1½	BISO	WS-BISO150-011-2	0.10
2, 2½	BISO	WS-BISO250-011-2	0.45
3	BISO	WS-BISO300-011-2	0.35
4	BISO	WS-BISO400-011-2	0.55
6	BISO	WS-BISO600-011-2	1.26
1¼, 1½, 2	SISO	WS-SISO200-011-2	0.35
3	SISO	WS-SISO300-011-2	0.85
4	SISO	WS-SISO400-011-2	1.30



Strainer Mounting Bracket

BISO Strainer Size (inch)	Style	Part No.	Weight (kg)
1, 1½	BISO	WS-BR-150	0.40
2, 2½	BISO	WS-BR-250	0.55
3	BISO	WS-BR-300	0.60
4	BISO	WS-BR-400	0.90



Adjustable Arms

Size (mm)	Part No.	Weight (kg)
100mm	WS-ADJ-BR-ARM100	0.60
150mm	WS-ADJ-BR-ARM150	0.65
200mm	WS-ADJ-BR-ARM200	0.65



Strainer 316 Wing Nuts

Size (mm)	Description	Part No.	Weight (kg)
10mm	Suits all strainers	WS-WNSS-M10	0.20



Replacement Solid Lid

Size (inch)	Style	Part No.	Weight (kg)
1, 1½	BISO	WS-150-002	0.45
1	SISO		
2, 2½	BISO	WS-250-002	1.10
1¼, 1½, 2	SISO		
3	BISO	WS-300-002	1.95
2½, 3	SISO		
4	BISO	WS-400-002	2.50
	SISO		
6	BISO	WS-600-002	4.50



Replacement Clear Lid Kit and Separate Parts



Size (inch)	Style	Description	Part No.	Weight (kg)
1, 1½	BISO	clear lid kit (cast ring and poly disc)	WS-150-010	0.30
1	SISO			
1, 1½	BISO	cast retaining ring only	WS-150-003	0.25
1	SISO			
1, 1½	BISO	polycarbonate disc only	WS-150-004	0.50
1	SISO			
2, 2½	BISO	clear lid kit (cast ring and poly disc)	WS-250-010	0.70
1¼, 1½, 2	SISO			
2, 2½	BISO	cast retaining ring only	WS-250-003	0.50
1¼, 1½, 2	SISO			
2, 2½	BISO	polycarbonate disc only	WS-250-004	0.15
1¼, 1½, 2	SISO			
3	BISO	clear lid kit (cast ring and poly disc)	WS-300-010	1.00
2½, 3	SISO			
3	BISO	cast retaining ring only	WS-300-003	0.70
2½, 3	SISO			
3	BISO	polycarbonate disc only	WS-300-004	0.30
2½, 3	SISO			
4	BISO	clear lid kit (cast ring and poly disc)	WS-400-010	1.87
	SISO			
	BISO	cast retaining ring only	WS-400-003	1.45
	SISO			
	BISO	polycarbonate disc only	WS-400-004	0.42
SISO				

Strainer Gaskets



Size (inch)	Style	Part No.	Weight (kg)
1, 1½	BISO	WS-150-006	0.02
1	SISO		
2, 2½	BISO	WS-250-006	0.05
1¼, 1½, 2	SISO		
3	BISO	WS-300-006	0.05
2½, 3	SISO		
4	BISO	WS-400-006	0.10
	SISO		
6	BISO	WS-600-006	0.13

Valves



Options: • A full range of valves suitable for use within the marine applications are available

Hose

Options: • A wide range of hoses are available for marine including wet exhaust, fuel, sanitation, and a wide variety of PVC

