

# MULTI-SPINDLE HEAD - CLASSIC LINE

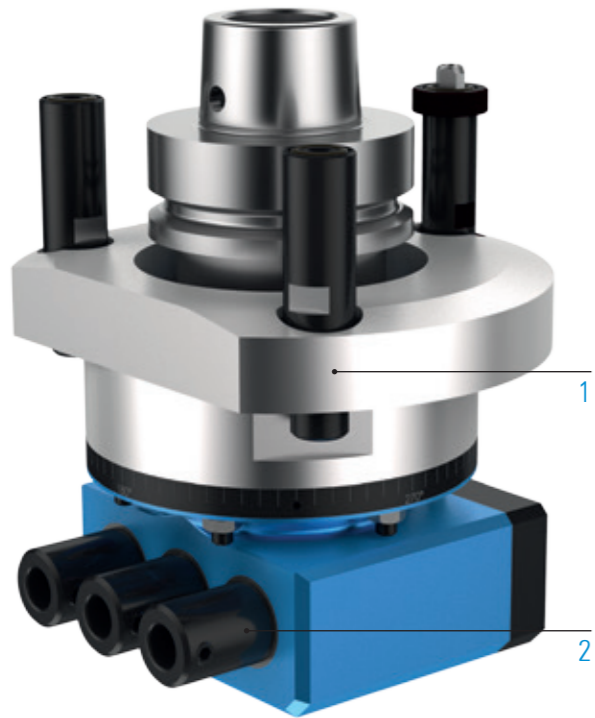
## MULTI H3+

### TECHNICAL DATA

Lubrication	Grease
Max. drive speed $n_2$	10,000rpm
Transmission ratio ( $n_1: n_2$ )	1:1.37
Max. drive torque $M_2$	5Nm
Weight	about 4 kg

### STANDARD DESIGN

- 1  Machine Connection  
HSK - F63
- 2  **25** Spindle distance
-  Output spindle  
Weldon Ø10



### MACHINING

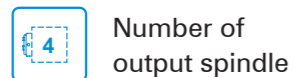


Drilling



Milling

### SPECIFICATIONS



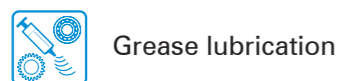
Number of output spindle



Axis angle



C-angle



Grease lubrication

### VIDEO



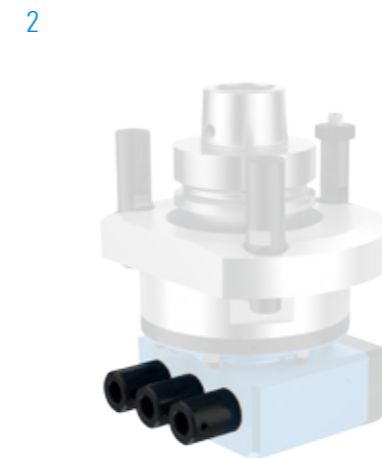
Multi-spindle head - live in the application  
Scan QR code or go to:  
[www.youtube.com/BENZWerkzeugsysteme](http://www.youtube.com/BENZWerkzeugsysteme)

### ORDER DIRECTLY



Inquiry form:  
[www.benz-tools.de/en/products](http://www.benz-tools.de/en/products)

### ADDITIONAL OPTIONS: MODULAR DESIGN



### MACHINE CONNECTION



For further information see p. 106

### SPINDLE DISTANCE



Additional spindle distances/ numbers of spindles/ drilling patterns on request

### OUTPUT SPINDLE



Weldon Ø10

For further information see p. 108