

Small Industry Linear Actuator

Mini series

Small compact design

Low noise design

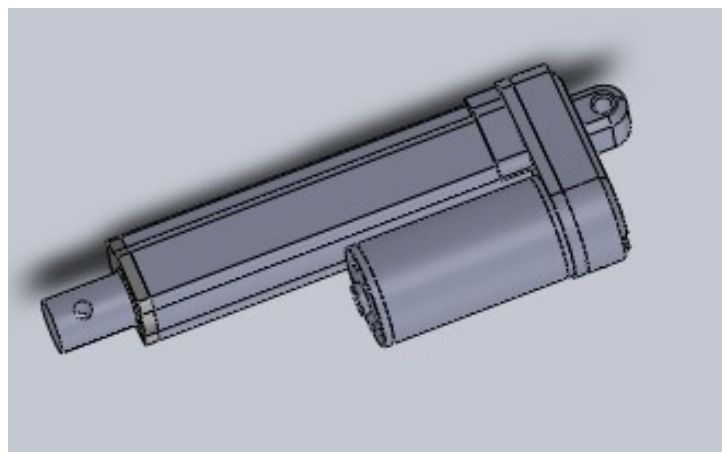
Enhanced corrosion resistance

Aluminum outer and inner tube

Zinc alloy housing

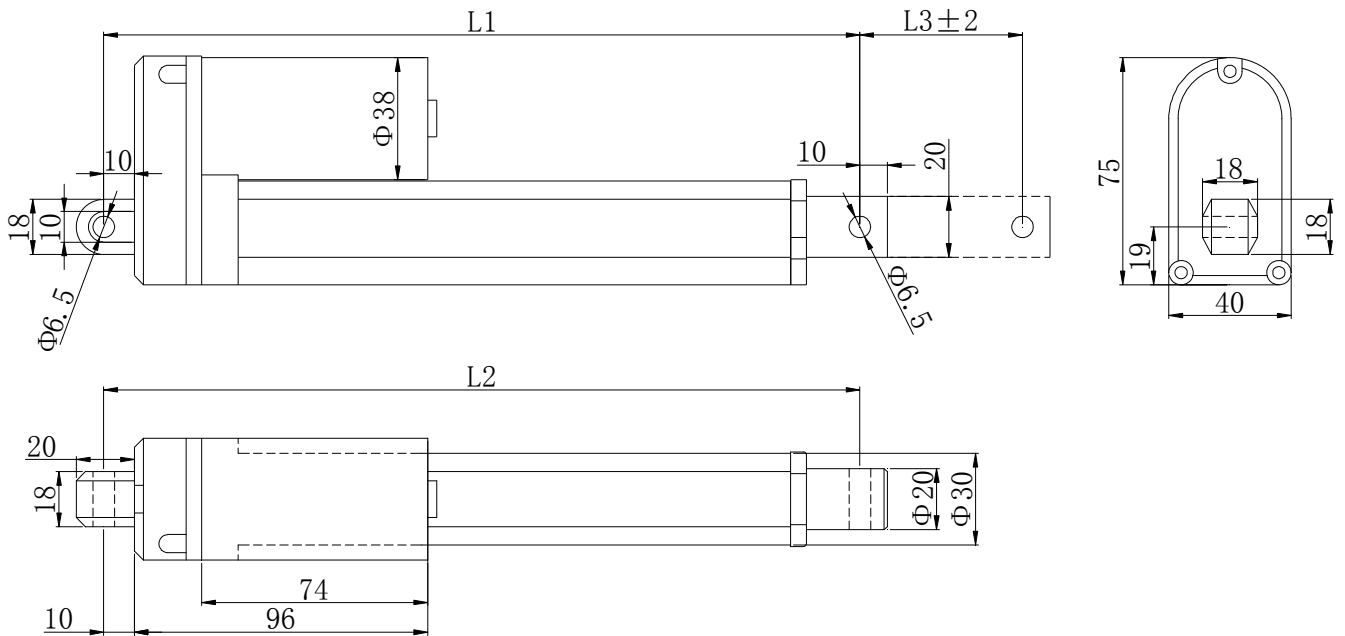
Powder metal gears

Lubrication for longer life



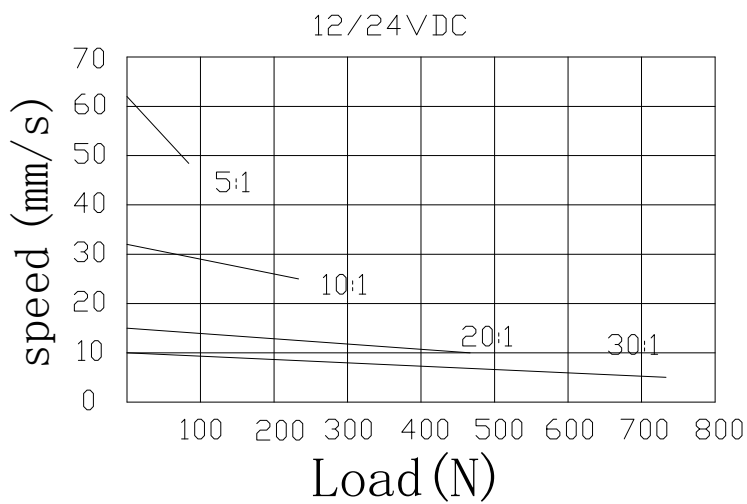
Specification				
Input	24V or 12V DC			
Gear Ratio	5:1	10 : 1	20 :1	30:1
Load	20KG	40KG	60KG	80KG
Static Load	230KG			
Speed	45mm/s	22mm/s	12mm/s	8mm/s
Stroke	50 100 150 200 250 300 MM			
Environment Temperature	-26°C ~ +65°C			
Duty Cycle	25% (function 2.5minute in 10minute)			
Limited Switch	Inner, can not be adjusted after leave factory			
IP	IP65			
Option sensor	Potentiometer 10K/10round			
Front and rear hole	Φ6.5 mm (Φ8mm special request)			
controller	Input220V, output24/12V, drive several actuator together			

Dimension:



L3:stroke (mm)	50	100	150	200	250
L1: Retracted Length (without sensor)	158	209	260	311	362
L2:Retracted Length (with sensor)	192	243	294	345	395

Speed & Load



Current & Load

