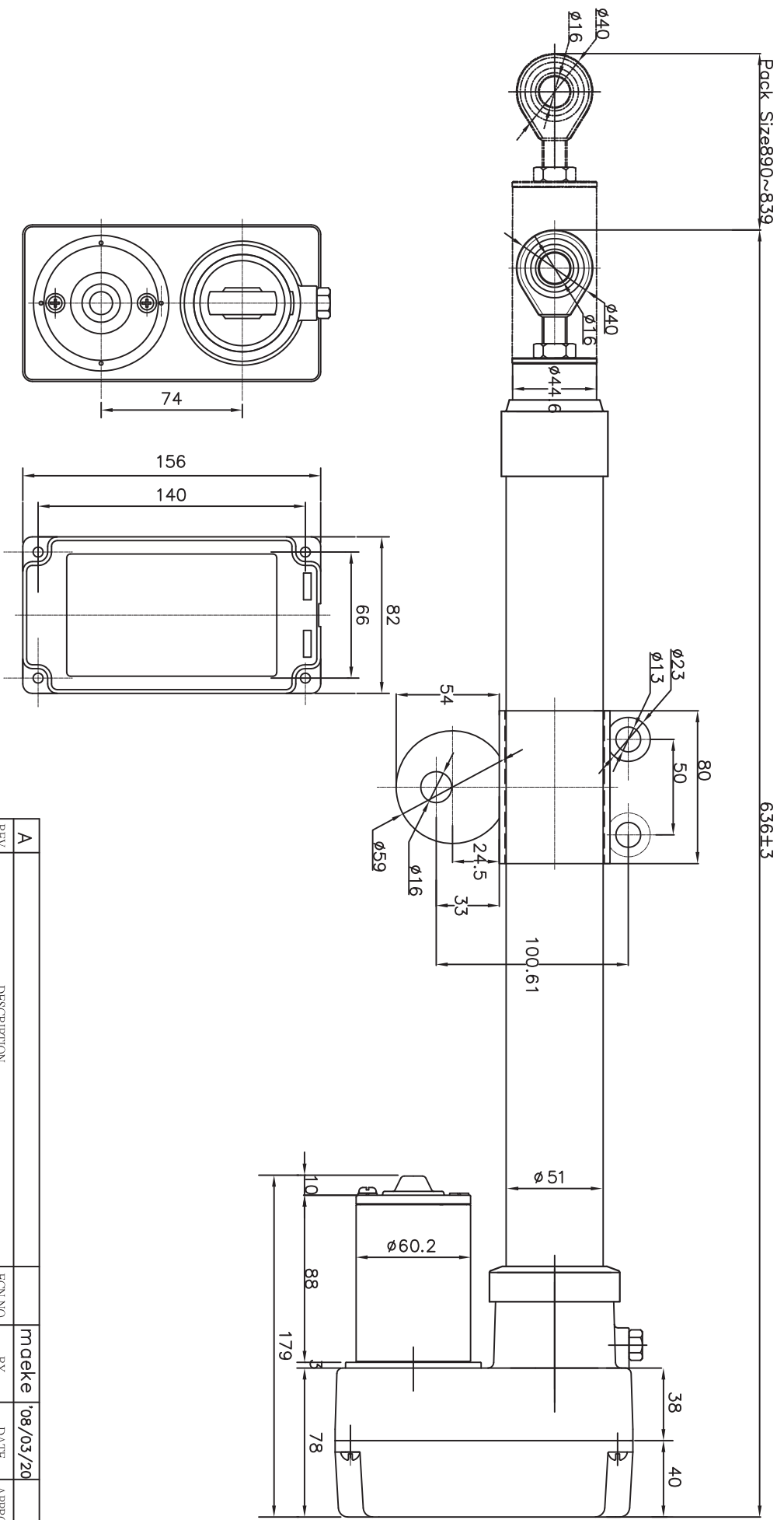


SPEC.	
Non-load motor speed	6000rpm
Voltage (V) DC	DC24V
Dynamic load(KG)	450KG
Max current(A)	4A
Duty-cycle	20%
Non-load current(A)	less than 1.5A
Non-load speed(mm/s)	5±1
Load speed(mm/s)	4±1
Static load (KG)	1500KG



REV.	DESCRIPTION	ECN NO.	BY	DATE	APPROVED	DATE
A			moake	'08/03/20		

TOLERANCE	DESCRIPTION	MATERIAL	FINISH	UNIT	UNIT	UNIT
0-5		±0.1				
5-20		±0.2				
20-60		±0.3				
60-100		±0.4				
100 above		±0.5		mm		

TITLE	DWG NO.	SHEET
Engineer Drawing		1/1

PJM MECHANICAL CO., LTD

PJM600A DC24V LOAD & CURRENT AND SPEED

Load (N)	Current (A)	Time (s)	Stroke (mm)	Speed (mm/s)
0	0.4	265	815	3.075471698
2500	1.8	126	320	2.53968254
2900	2	130	320	2.461538462
3300	2.2	135	320	2.37037037
3700	2.4	137	320	2.335766423
4100	2.8	141	320	2.269503546
4500	3.1	161	320	1.98757764
6000				

