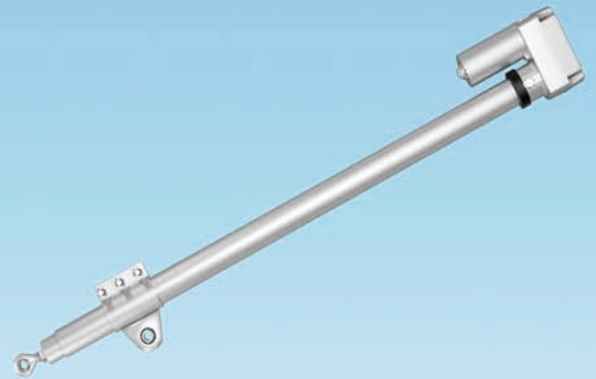


a strong linear actuator designed for solar tracker, where strong force and tough body are needed.

SPECIFICATION

- **Voltage:** 12/24 VDC
- **Max. dynamic load:** 8,000N
- **Max. static load:** 20,000N
- **No-Load Speed :** 2.7mm/s
- **Full-Load Speed:** 1 ~ 1.5mm/s
- **Duty cycle:** 25%
- **Protection:** IP65
- **Ambient temp.:** -25°C ~ +65°C
- **Position feedback:** Reed sensor
- **Option:** Hall sensor



PARAMETERS

CODE	RATED LOAD (N)		RATED CURRENT (A)	RATED SPEED (mm/s)	
	PUSH	PULL		NO LOAD(32VDC)	FULL LOAD (24VDC)
A	6000	6000	2.2	2.7	1.5
B	8000	8000	3.2	2.7	1

Dimensions

