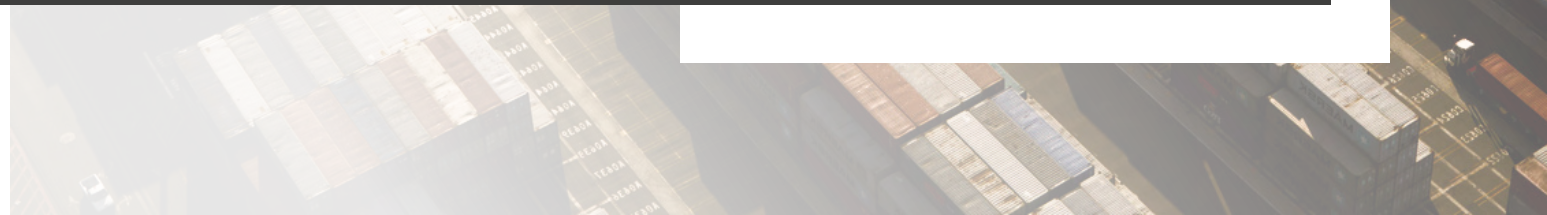




Partner when you need
reliable and all-inclusive
logistics solutions

ENGLISH





Dedicated to reliability and quality

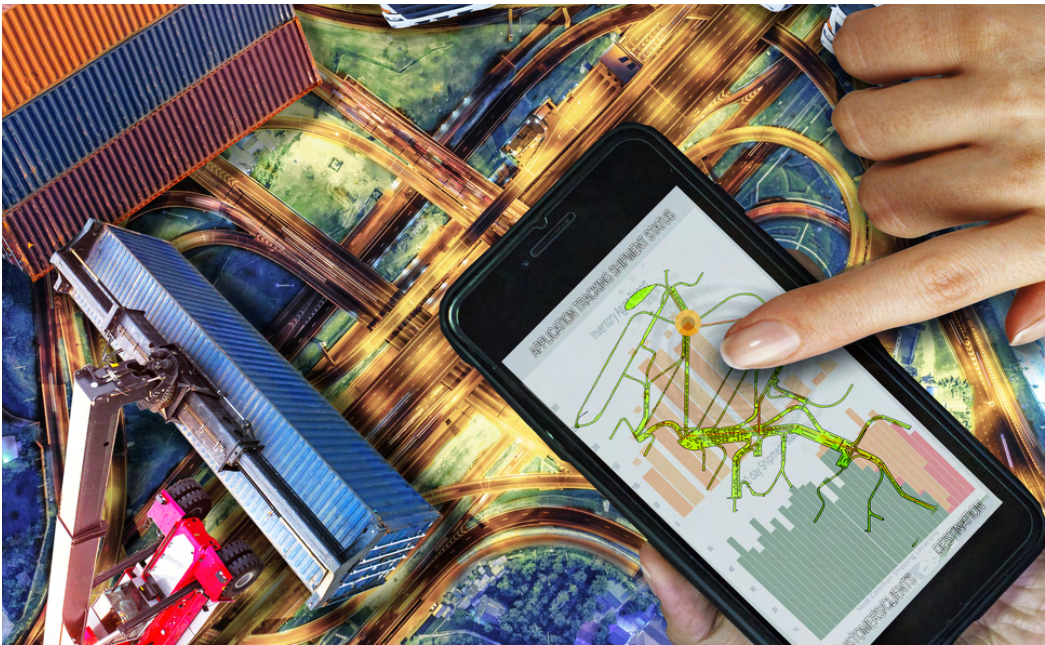
2HM Logistics has evolved strategically and now stands as a leader in global logistics. Years of experience, streamlined operations and a global network of partners combine to form one of the world's most dynamic and enthusiastic companies in the logistics industry. The services we offer vary from transportation, warehousing, customs and contract logistics.

Our extensive partnership network helps our customers increase the efficiency and protect the integrity of their supply chains worldwide. We associate with more than ten international and domestic logistics organizations, associations and networks to move your goods as efficiently as possible. Our team also speaks more than ten languages to provide exceptional operational quality and customer service.

We have headquarters in Koper, Slovenia, which guarantees the shortest paths for your shipments – no matter where they are headed.

We are 2HM logistics, and we help the world to move.





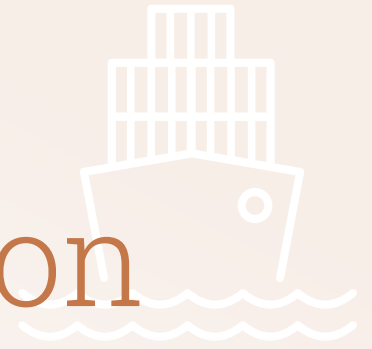
Road transportation

Qualified drivers and a fleet of vehicles provide standard or personalized solutions.

- ✓ Full truckload (FTL)
- ✓ Less than truckload (LTL)
- ✓ Express shipping
- ✓ Out of Gauge (OOG) cargo & dangerous cargo



Sea transportation



When your company chooses a perfect balance between time and costs.

- ✓ Full container load (FCL)
- ✓ Less than container Load (LCL)
- ✓ Roll-on, Roll-off (RoRo) transport
- ✓ Vehicle movements
- ✓ BreakBulk transportation
- ✓ Out of Gauge (OOG) cargo & exceptional cargo



Air transportation

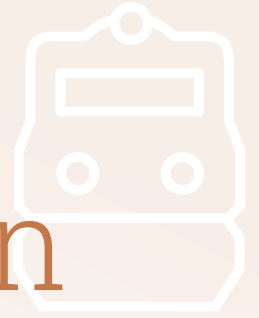


We do everything to get your goods to their destination safely and on time.

- ✓ Global air transport
- ✓ Time Critical Shipments

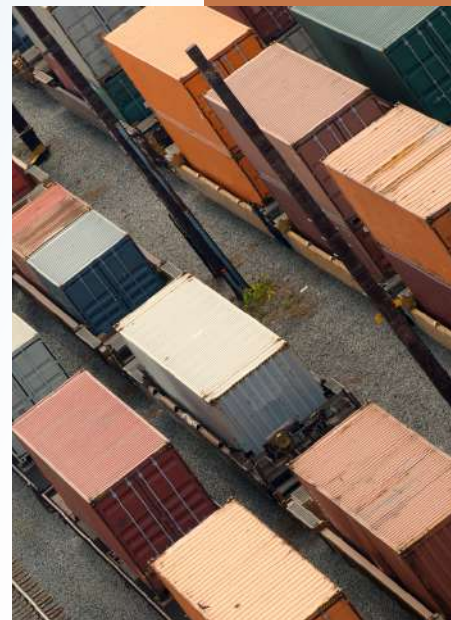


Train transportation



An economical and secure decision for greater distances.

- ✓ Full container load (FCL)
- ✓ Less than container Load (LCL)

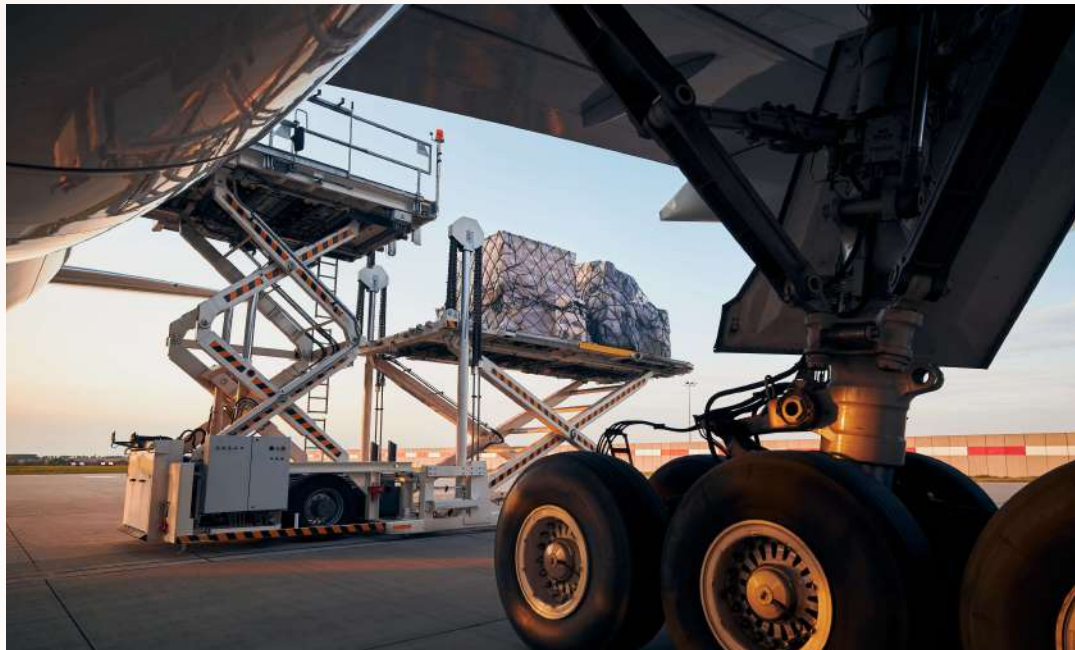


Customs clearance



We support your business's global growth.

- ✓ Our own customs department
- ✓ Customs procedures for import and export
- ✓ Customs transit
- ✓ Fiscal representation



Why choose us?

Through proven expertise, 2HM can support the most complex supply chains while still providing levels of customer service that distinguish us from other logistics companies.



Quality

ISO 9001



Safety

AEO



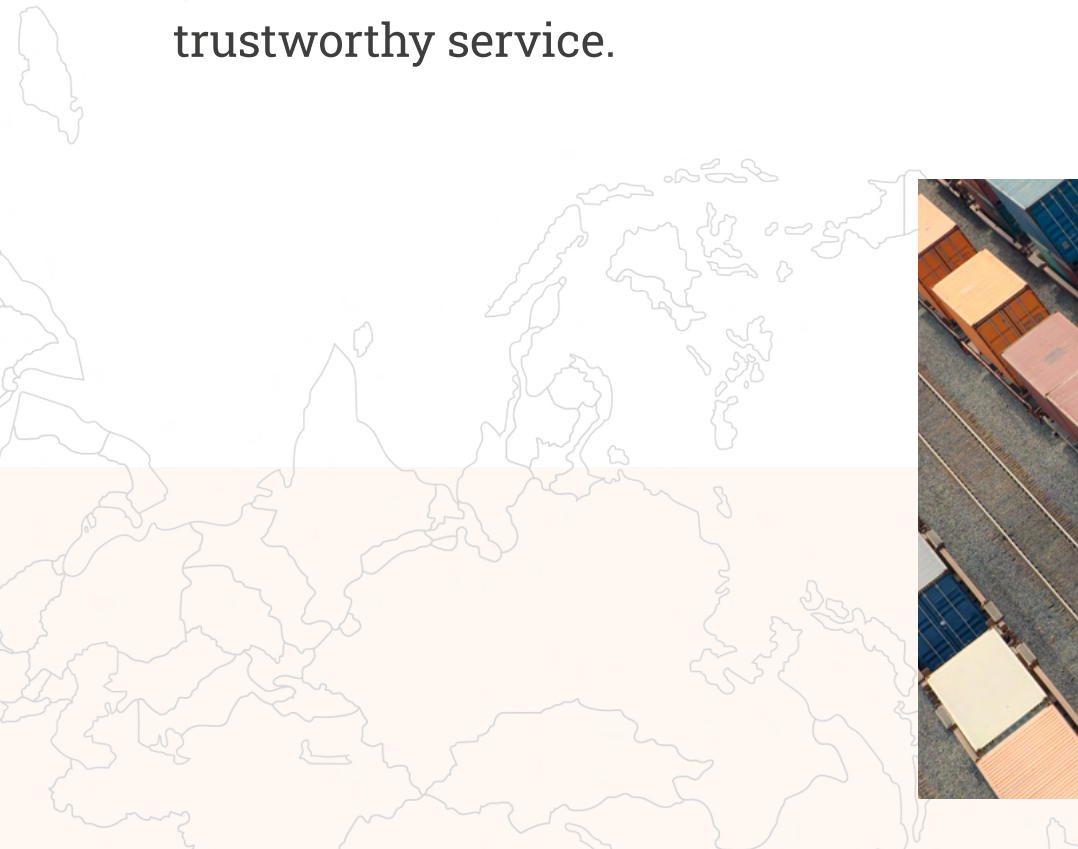
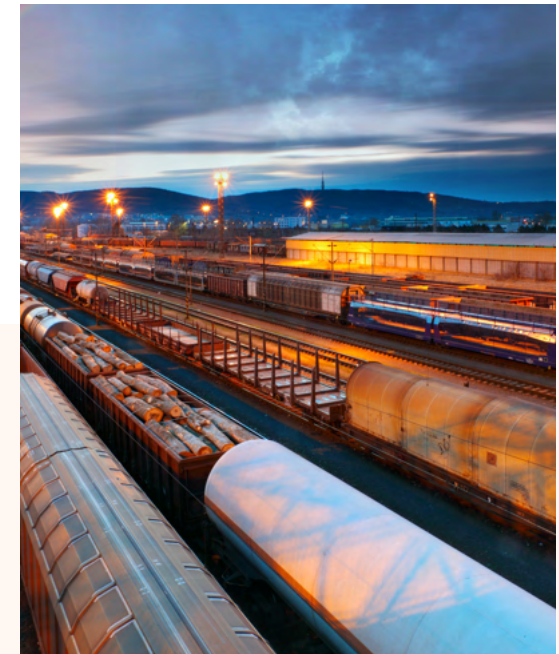
Sustainability

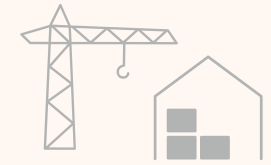
ISO 14001



Incoterms ® 2020

Following the latest regulations in global trade to provide a reliable and trustworthy service.





INCOTERM

	EXW Ex Works	FCA Free Carrier	FAS Free Alongside Ship	FOB Free On Board	CFR Cost and Freight	CIF Cost Insurance and Freight	CPT Carriage Paid To	CIP Carriage and Insurance Paid To	DAP Delivered at Place	DAU Delivered at Place Unloaded	DDP Delivered Duty Paid
Cargo Packing											
Loading Charges	buyer										
Export Customs Procedure	buyer										
Delivery to Port / Place	buyer	buyer									
Origin Port Charges	buyer	buyer									
Loading on Carriage	buyer	buyer	buyer								
Freight Charges	buyer	buyer	buyer	buyer							
Destination Port Charges	buyer	buyer	buyer	buyer	buyer	buyer					
Delivery to Destination	buyer	buyer	buyer	buyer	buyer	buyer	buyer				
Unloading charges	buyer	buyer	buyer	buyer	buyer	buyer	buyer	buyer	buyer		buyer
Import Custom Procedure	buyer	buyer	buyer	buyer	buyer	buyer	buyer	buyer	buyer	buyer	
Import Duties and Taxes	buyer	buyer	buyer	buyer	buyer	buyer	buyer	buyer	buyer	buyer	
Insurance	negotiable	negotiable	negotiable	negotiable	negotiable	seller	negotiable	seller	negotiable	negotiable	negotiable

seller
 buyer
 negotiable

Containers & trucks dimensions

With a comprehensive range of transport solutions, we guarantee operational excellence.

Containers dimensions

STANDARD CONTAINER		20'	40'	40'HQ
Door opening width	mm	2340	2340	2340
Door opening width	mm	2280	2280	2585
Internal length	mm	5900	12034	12034
Internal width	mm	2352	2352	2352
Internal height	mm	2393	2395	2700
Volume	m ³	33,2	67,8	76,4
Weight gross	kg	30480	32500	32500
Weight tare	kg	2230	3720	3900
May payload	kg	28250	28780	28600

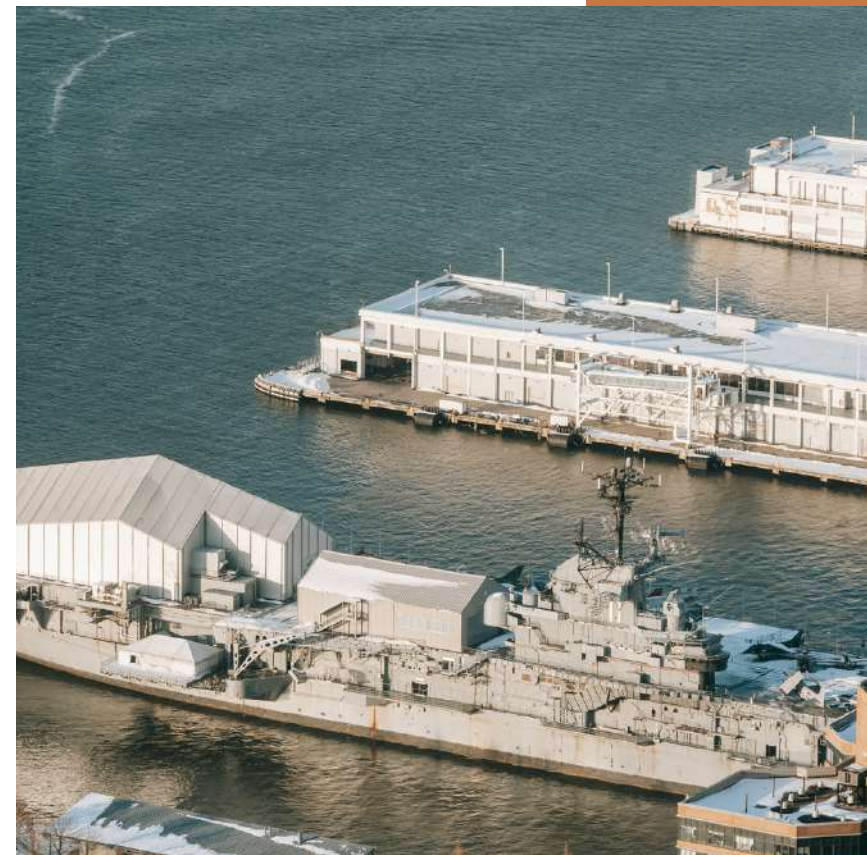
OPEN TOP CONTAINERS		20'OT	40'OT
Door opening width	mm	2340	2340
Door opening width	mm	2280	2280
Door opening width	mm	2200	2000
Roof opening width between gussets	mm	1840	1650
Roof opening width between roof rails	mm	1940	1940
Roof opening length between end gussets	mm	5397	11531
Roof opening length between end lintels	mm	5682	11806
Internal length	mm	5898	12032
Internal width	mm	2352	2352
Internal height	mm	2348	2348
Volume	m ³	32	66
Weight gross	kg	30480	30480
Weight tare	kg	2200	3880
May payload	kg	28280	26600

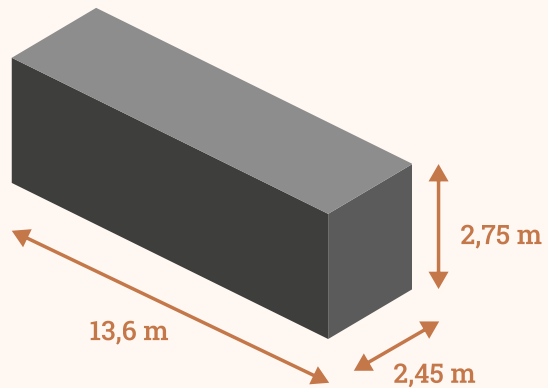


FLAT RACK CONTAINERS		20'FR	40'FR
Internal length between end headers	mm	5920	12054
Internal length between corner posts	mm	5634	11652
Internal width between corner posts	mm	2224	2227
Internal width of floor	mm	2208	2374
Internal height	mm	2213	1959
Weight gross	kg	34000	45000
Weight tare	kg	2750	4900
May payload	kg	31250	40100



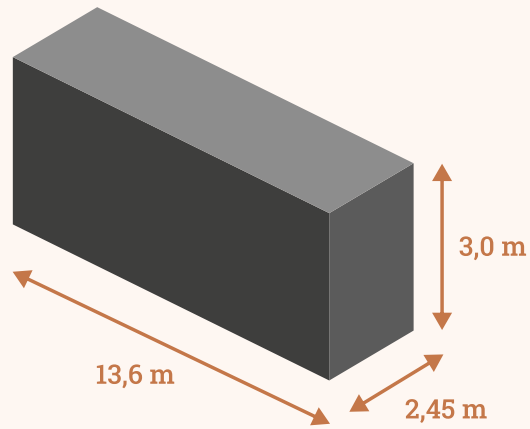
REEFER CONTAINERS		20'RF	40'RFHQ
Door opening width	mm	2290	2284
Door opening height	mm	2264	2567
Internal length	mm	5456	11584
Internal width	mm	2294	2294
Internal height	mm	2273	2557
Volume	m ³	27,3	64,9
Weight gross	kg	30480	3400
Weight tare	kg	3010	4700
May payload	kg	27470	29300





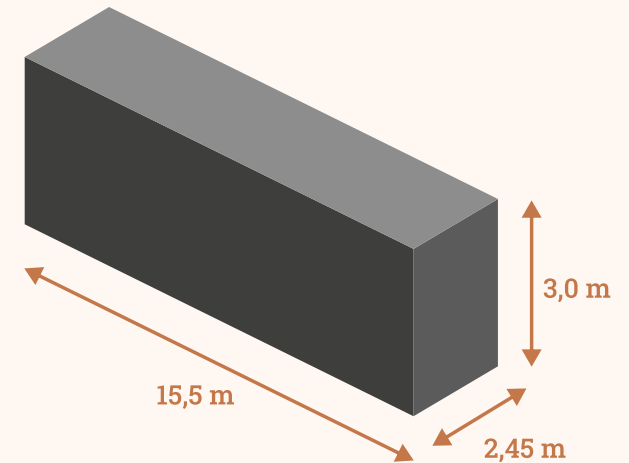
Semi-trailer truck (with tarpaulin)

Volume: **90 m³**
Number of europallets: **33**
Load capacity: **24 t**



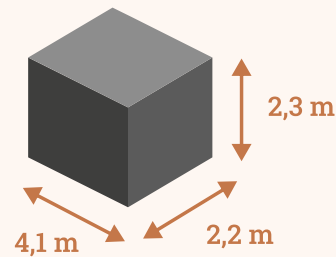
Semi-trailer truck (XL Code)

Volume: **100 m³**
Number of europallets: **33**
Load capacity: **24 t**



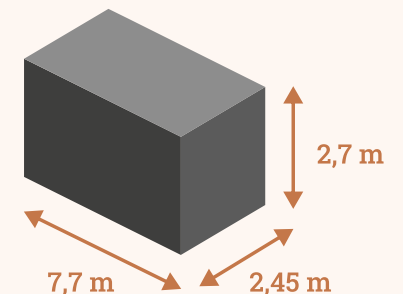
Jumbo trailer truck (with tarpaulin)

Volume: **120 m³**
Number of europallets: **38**
Load capacity: **24 t**



Box van (with tarpaulin)

Volume: **20,7 m³**
Number of europallets: **8**
Load capacity: **1,25 t**



Box truck (with tarpaulin)

Volume: **51 m³**
Number of europallets: **16**
Load capacity: **9 t**

Truck dimensions

Weight measurement

Chargeable weight is what the carrier uses to determine the cost of the shipment. The shipping fee is based upon the dimensional weight or the actual weight, whichever is greater.

Dimensional weight (also known as volumetric weight) is a pricing technique for commercial freight transport, which uses an estimated weight calculated from the length, width and height of a package.

Gross weight simply means the total weight of a load. In shipping, gross weight includes the weight of the actual product transported and the package used in wrapping it.



1 m³ = 1000 kg

Example:
(L x W x H) x 1000 kg

4,25 x 1000 kg = 4250 kg
Chargeable weight: 4250 kg



1 m³ = 333 kg

Example:
(L x W x H) x 1000 kg

4,25 x 333 kg = 1415,25 kg
Chargeable weight:
more than 1300 kg = 1415,25



1 m³ = 167 kg

Example:
(L x W x H) x 1000 kg

4,25 x 167 kg = 709,75 kg
Chargeable weight:
less than 1300 kg = 1300 kg



2HM Logistics d.o.o.


HEAD OFFICE

Koper

Ankaranska Cesta 7A
6000 Koper, Slovenia, EU

 info@2hm.si

 Office: +386 (0)5 63 93 111

 Urgent Operations:
+386 (0)41 99 77 66

BRANCH OFFICE

Šenčur

Delavska cesta 26
4208 Šenčur, Slovenia

Office phone: +386 4 5743 000

Urgent phone: +386 41 99 77 88

Email: road@2hm.si

BRANCH OFFICE

Bratislava

Racianska 153, Reding Tower 2
831 54 Bratislava, Slovakia

Office phone: +421 222 111 950

Urgent phone: +421 940 982 182

Email: slovakia@2hm.si

BRANCH OFFICE

Ljubljana Airport (LJU)

Zgornji Brnik 130o
4210 Brnik, Slovenia

Office phone: +386 4 5743 003

Urgent phone: +386 41 99 77

Email: air@2hm.si

BRANCH OFFICE

Warsaw

Puławska 2
02-566 Warsaw, Poland

Urgent phone: +48 600 270 828

Email: poland@2hm.si