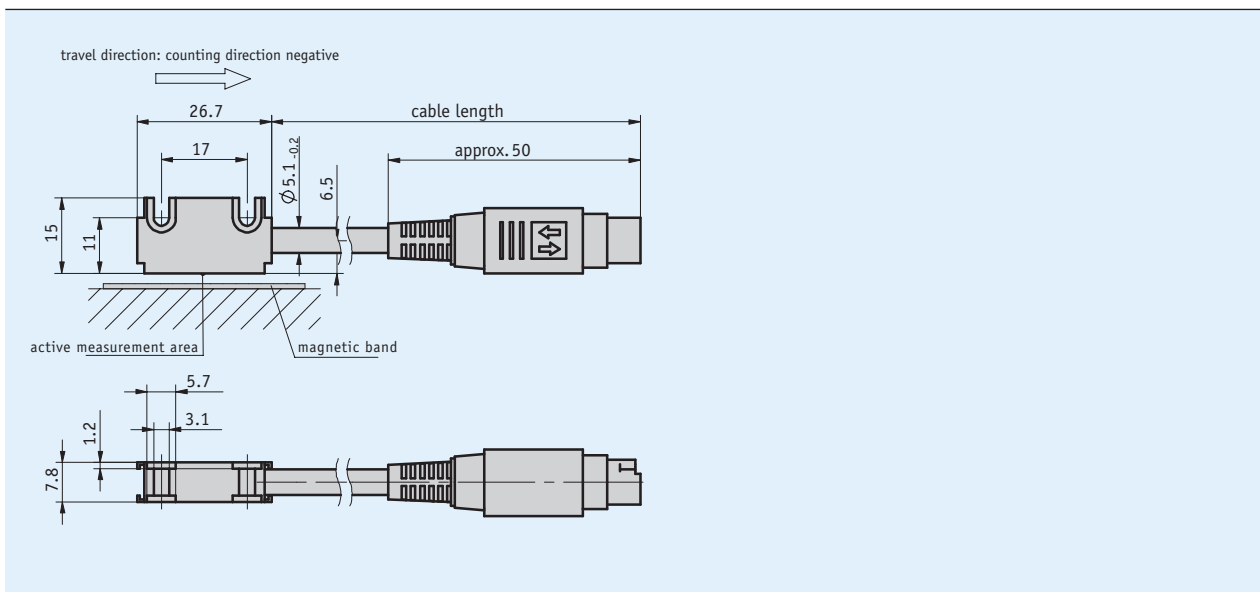
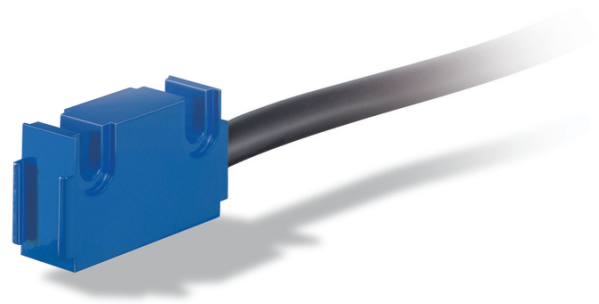


Profile

- Max. resolution of 1 µm in combination with MA100/2
- Repeat accuracy max. ±1 µm in combination with MA100/2
- Small, compact design
- Works with MB100/1 magnetic tape
- Reading distance ≤0.4 mm



Mechanical data

Feature	Technical data	Additional information
Housing	aluminum blue	
Sensor/band reading distance	≤0.4 mm	
Cable sheath	PUR, PVC	6-adrig ø5.1 _{-0.2} mm

Electrical data

Feature	Technical data	Additional information
Operating voltage	supply via display	
Current consumption	supply via display	
Type of connection	mini-DIN	6-pole, 1x pin (for MA100/2 or MA523/1 magnetic display)

System data


Feature	Technical data	Additional information
System accuracy	depending on downstream electronic unit	
Repeat accuracy	depending on downstream electronic unit	
Travel speed	≤5 m/s	

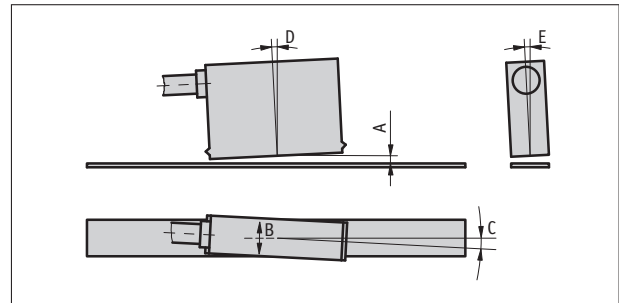
Ambient conditions

Feature	Technical data	Additional information
Ambient temperature	-20 ... 70 °C	
Storage temperature	-20 ... 85 °C	
Relative humidity	100 %	condensation admissible (sensor head)
Protection category	IP67	EN 60529 (sensor head)
Shock resistance	2000 m/s ² , 11 ms	EN 60068-2-27
Vibration resistance	200 m/s ² , 50 Hz ... 2 kHz	EN 60068-2-6

Hint for mounting

A, Sensor/tape reading distance	≤0.4 mm
B, Lateral offset	±2 mm
C, Alignment error	±3°
D, Longitudinal inclination	±1°
E, Lateral inclination	±3°

 The length of the cable between the sensor and connector cannot be subsequently increased or decreased.



Symbolic representation

Order

Ordering information

one or more system components are required:

Electronic display MA100/2
Magnetic band MB100/1

www.siko-global.com
www.siko-global.com

Ordering table

Feature	Ordering data	Specification	Additional information
Cable sheath	PVC	oil-resistant	
	PUR		
Cable length	...	01.0 ... 10.0 m, in intervals of 1 m	

Order key

MS100/1 - L - A - B

Scope of delivery: MS100/1, Mounting instructions, Fastening set, distance gage