

Electronic Display MA10/4



Features:

- 12 digit LCD-Dot Matrix with high contrast
- for connection to incremental or absolute (SSI) sensors
- feely programmable via frontal keyboard
- optional: serial interface
- optional: speed / number of pieces

SIKO GmbH

Address
 Weihermattenweg 2
 79256 Buchenbach

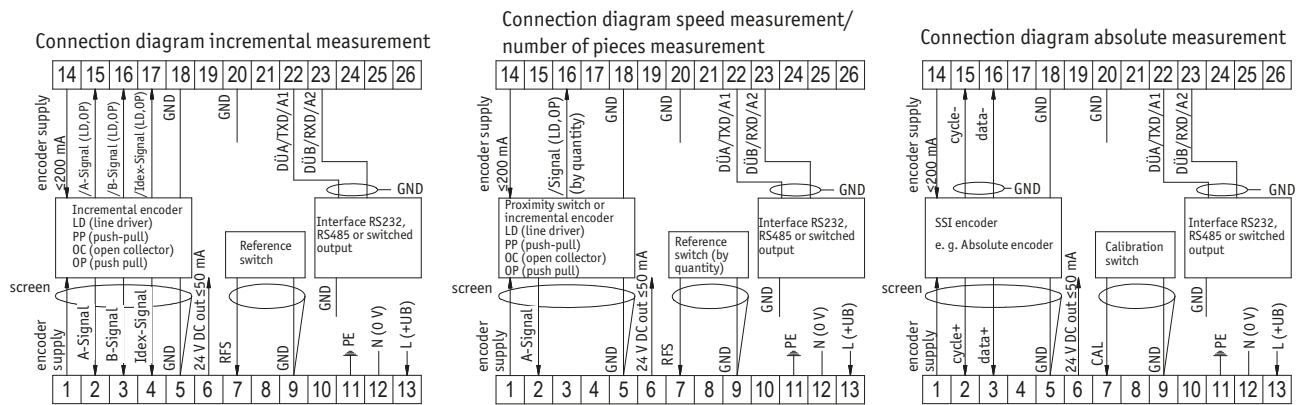
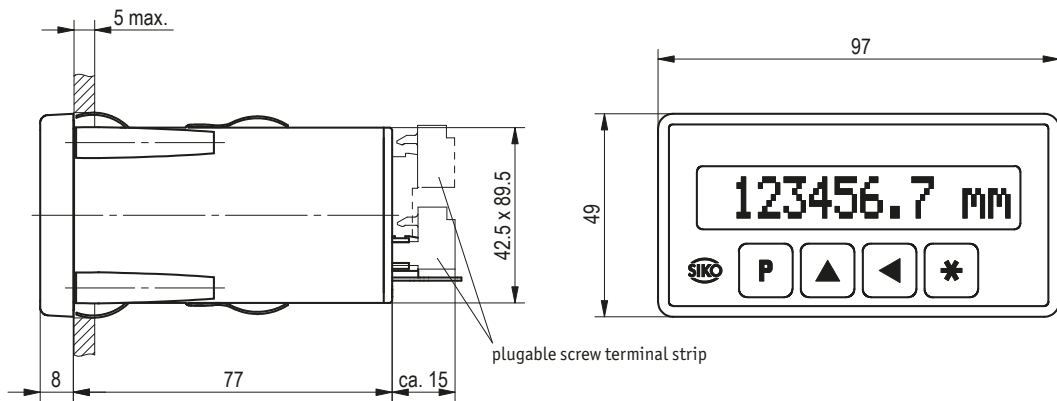
Telephone
 +49 7661 394-0
Fax
 +49 7661 394-388

eMail
 info@siko.de
Internet
 www.siko-global.com

Feature	Order Text		Additional information
Design	EG A	panel mount type	
Operating voltage	1 B	230 V AC ±10 %	
	2	115 V AC ±10 %	
	3	24 V AC ±10 %	
	4	24 V DC ±20 %	
	9	15 V AC ±10 %	
Encoder input	PP C	push pull	
	OC	open collector	
	OP	PP invertiert	
	LD/5	line driver/5 V DC encoder supply	
	LD/24	line driver/24 V DC encoder supply	
	SSI/5	SSI/5 V DC	
	SSI/24	SSI/24 V DC	
	DREH/PP	speed/24 V DC encoder supply	push pull
	DREH/OC	speed/24 V DC encoder supply	open collector
	S/PP	number of pieces/24 V DC encoder supply	push pull
	S/OC	number of pieces/24 V DC encoder supply	open collector
Counting frequency (kHz)	25 D		
	250		
	500		
Switching output	S0 E	without	
	SM	with	≤30 V / 100 mA
Reference connection	RM F	with	ground switching
	RO	without	
Interface/protocol	XX/XX G	without	
	S1/00	RS232/standard	
	S3/00	RS485/standard	
Front foil	BS H	blue	standard
	BN	blue neutral	without company logo
Software	S I		standard

Your ordering: MA10/4 - A - B - C - D - E - F - G - H - I

Electronic Display MA10/4



Technical data

Mechanical data

Housing	plastic, with panel clips as snap in module
Weight	0.22 kg 0.46 kg

Additional information

switchboard cutout	92 ^{+0.8} x 45 ^{+0.6} IEC 61554
	24 V DC 230 V AC / 115 V AC / 24 V AC / 15 V AC

Electrical data

Operating voltage	24 V DC ±20 % 24 V AC ±10 % 115 V AC ±10 % 230 V AC ±10 % 15 V AC ±10 %	
Current consumption	120 mA	at 24 V DC, without encoder
Power input	<9 VA	
Encoder supply	24 V DC (200 mA) 5 V DC (200 mA)	
Inputs	reference switch	auxiliary voltage 24 V DC ≤50 mA
Encoder input frequency	≤500 kHz	
Encoder input	PP, OC, OP, LD/5, LD/24, SSI/5, SSI/24 DREH/PP, DREH/OC S/PP, S/OC	length and angle measurement speed measurement number of pieces measurement
Pulse analysis	4 times	incremental encoder
Display/display range	12 digits, LCD dot matrix, backlit -9999999 ... 9999999	sign, unit of measure
Keys	membrane keys with pressure point	
Switching outputs	≤30 V, 100 mA OC	2 freely programmable outputs
Counter capacity	±2 ²³ increments	
Type of connection	terminal strip	13/26 pole

Ambient conditions

Operating temperature	0 ... 50 °C	
Storage temperature	-20 ... 85 °C	
Relative humidity		condensation not permitted
EMC	EN 61000-6-2 EN 61000-6-4	interference resistance / immission emitted interference / emission
Protection category	IP40 complete equipment IP60 front panel, when built into a control panel	EN 60529 EN 60529