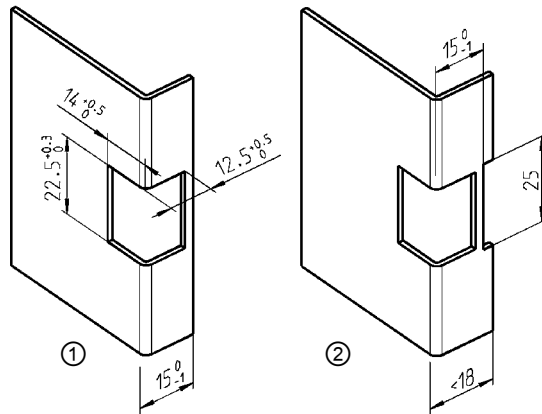


# 180° hinge

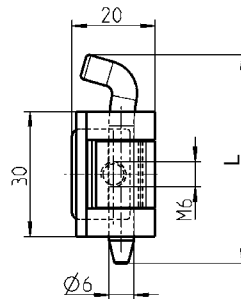
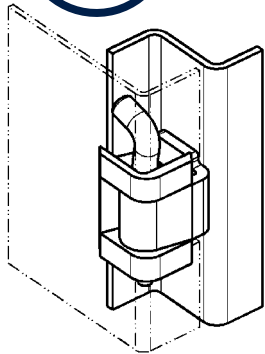
## PROGRAM 1110

180° hinge for single cabinets  
for 20 mm door return



Cut out on choice

**NEW**

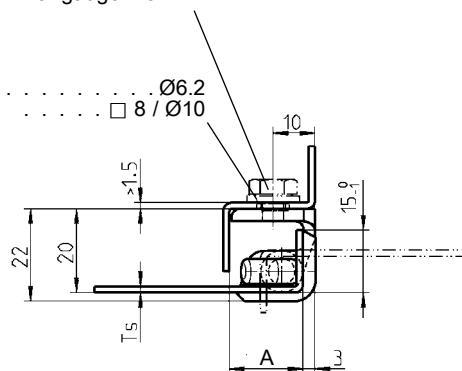


Pin length ① ; L = 50  
Pin length ② ; L = 66

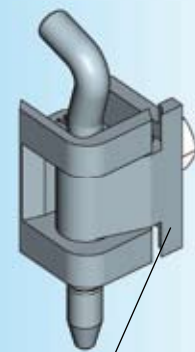
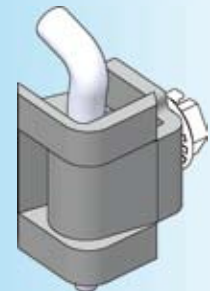
\* for type zinc-die / m.s.:  
vibration proof screw 1000-277-02JB (M6x6)

\* for type stainless steel:  
disc DIN ISO 7089 - 6 and  
hexagon screw DIN ISO 4017 M6 x 6  
for gauge 1.5

Zinc-die / m. s. . . . . Ø6.2  
Stainless steel: . . . . . 8 / Ø10



Cut out ① ; A = 17.5  
Cut out ② ; A = >19



Frame part with M6-thread and spigot

180° hinge, door part zinc-die black powder-coated;  
Frame part m. s. black powder-coated; pin ① m.s. zinc-plated

Ts 1.5 - 2.0

1110-U141

180° hinge AISI 316; pin ② AISI 303

Ts 1.5

1110-U131

Ts 2.0

1110-U132

\* not included