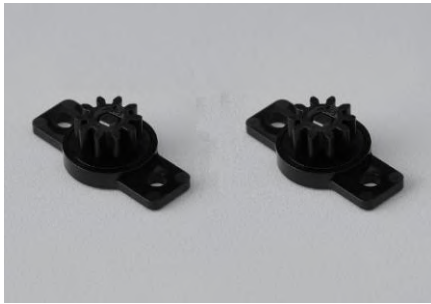


## TD130 SERIES

RoHS

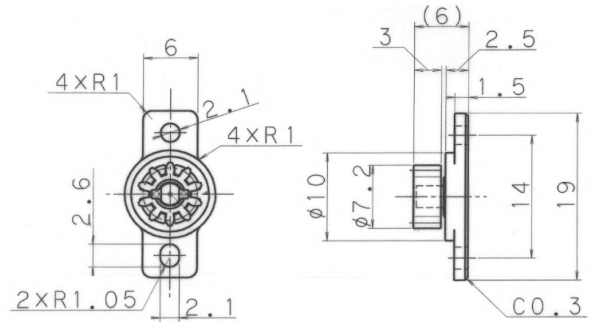


### FEATURES

- Compact and thin type
- Both directions
- Infinite angle
- Light weight

### APPLICATION EXAMPLES

- Small door



Code	Part No.	Torque mN · m	Initial Torque mN · m	Direction
613000	TD130W1-40	4.0	±1.0	CW / CCW

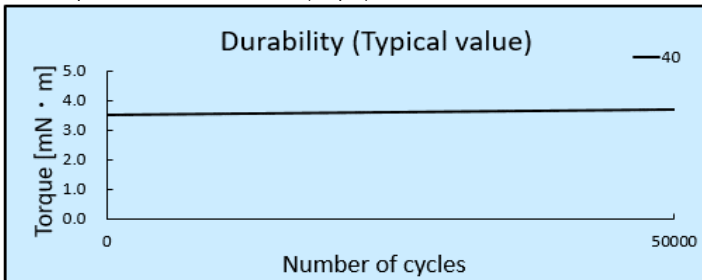
Gear Specification	
Profile of Gear	Standard Spur Gear
Tooth Profile	Full Depth Tooth
Module	0.6
Pressure Angle	20°
Number of Teeth	10
P.C.D [mm]	Φ 6

※Do not apply some axial & radial forces to gear/shaft.

※Operation temperature : 0°C~50°C (Special designing for use -20°C~60°C is also available)

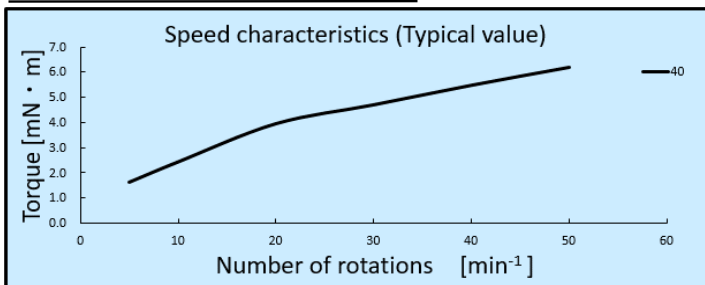
### DURABILITY

The torque is measured at 20min<sup>-1</sup> (20rpm)



Durability	50,000 cycles	
Part No.	Initial Torque	Revolution Speed
	mN · m	min <sup>-1</sup>
TD130W1-40	3.0 ~ 5.0	20

### SPEED CHARACTERISTICS

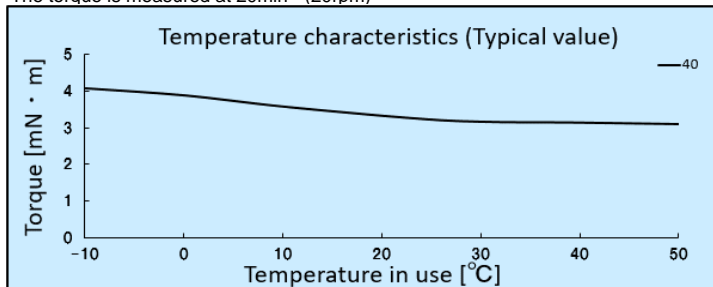


### TEST CONDITION

- ① Number of cycle : 50,000 cycle
- ② 20min<sup>-1</sup> Continuous twist rotation at 360°
- ③ 10 cycle / min.
- ④ Radial load : 0 N, Thrust load : 0 N

### TEMPERATURE CHARACTERISTICS

The torque is measured at 20min<sup>-1</sup> (20rpm)



### STANDARD COMPONENTS

Part name	Material
Housing	PC
Shaft	POM
Cap	PC
Gear	POM

**TOK, Inc.**

HEAD OFFICE, TOKYO, JAPAN  
TEL:81-3-3969-1584 EMAIL:en-contact@tok-inc.com

Product specification are subject to change without prior notice.