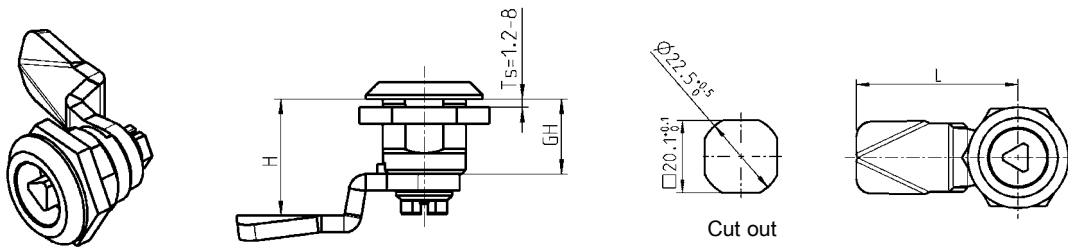


# Quarter turn; Housing GH = 18 and 30 - 60; Insert; Seal

## PROGRAM 1000

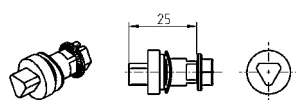


### Housing with nut or earthnut m.s.zinc plated

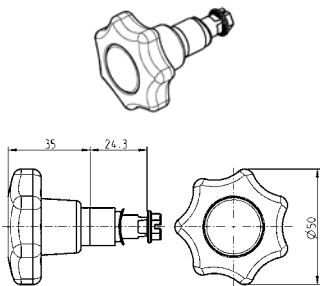
Head diameter GH = 18 mm	Ø28		Ø30		Ø32		□28	
	Nut	Earthnut	Nut	Earthnut	Nut	Earthnut	Nut	Earthnut
Head height	4	4	4	4	6	6	4	4
zinc die chrome pl.	1000-U45	1000-U56	1000-U47	1000-U55	1000-U7	1000-U54	1000-U330	1000-U332
Zinc die chrome plated (with foamed seal)	1000-U45-G	1000-U56-G	1000-U47-G	1000-U55-G	1000-U7-G	1000-U54-G	-	-
Zinc die black powder coated	1000-U223	1000-U224	1000-U221	1000-U222	1000-U219	1000-U220	1000-U331	1000-U333
Zinc die black powder coated (with foamed seal)	1000-U223-G	1000-U224-G	1000-U221-G	1000-U222-G	1000-U219-G	1000-U220-G	-	-
Polyamide GF VO black	1000-U155	-	-	-	1000-U46	-	-	-
Polyamide GF VO black (with foamed seal)	1000-U155-G	-	-	-	on request	-	-	-
Stainless steel AISI 303 (with foamed seal)	1000-U134	-	-	-	-	-	-	-
Stainless steel AISI 316 (with foamed seal)	1000-U530	-	-	-	-	-	-	-

Insert zinc die, polyamide or stainless steel;  
Fixing material m.s. zinc plated or stainless steel;  
with seal (only for stainless steel version)

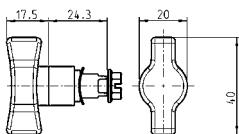
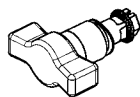
Zinc die chrome plated    Zinc die black    Polyamide 66 GF 50 black    Stainl. steel AISI 304    Stainl. steel AISI 316



Insert

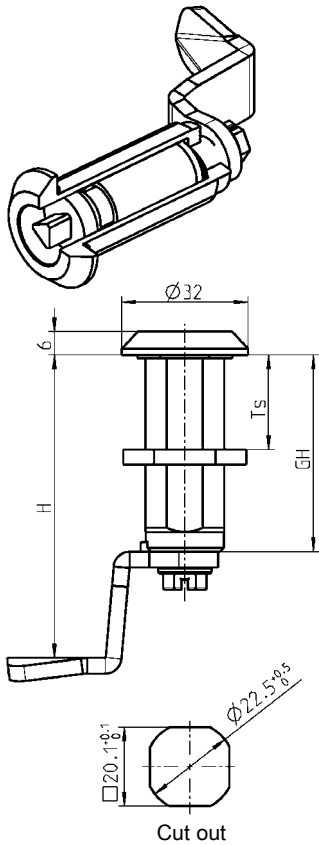


Star handle



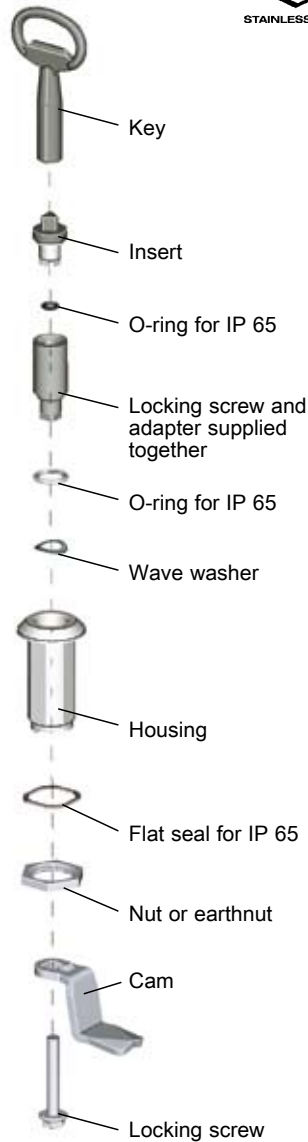
Wing knob

Square 6	1000-U17	1000-U322	-	1000-U351	-
Square 7	1000-U1	1000-U323	1000-U184-N	1000-U135	1000-U531
Square 8	1000-U2	1000-U324	1000-U185-N	1000-U136	1000-U532
Square 8 slotted	1000-U18	-	-	1000-U352	-
Triangular 6.5 CNOMO	1000-U197	-	-	-	-
Triangular 7	1000-U3	1000-U325	-	1000-U334	1000-U536
Triangular 8	1000-U4	1000-U326	1000-U186-N	1000-U335	1000-U537
Triangular 9	1000-U194	-	-	-	-
Triangular 10	1000-U249	-	-	-	-
Double bit 3	1000-U5	1000-U327	1000-U187-N	1000-U183	1000-U533
Double bit 5	1000-U6	1000-U328	1000-U188-N	1000-U137	1000-U534
Hexagon female 10	1000-U96	-	-	-	-
Square female 6	1000-U168	-	-	-	-
Square female 7	1000-U182	-	-	-	-
Square female 8	1000-U169	-	-	-	-
Daimler Benz	1000-U20	-	-	-	-
Slot 1,2 x 3	1000-U195	-	-	-	-
Slot 2 x 4	1000-U142	1000-U329	1000-U196-N	1000-U630	1000-U631
Slot 2 x 4 coinproof	1000-U738	1000-U739	-	-	-
Crown type	1000-U336	-	-	-	-
Eastern Europe Ø 13	1000-U509	-	-	1000-U729	-
Hexagon female 8 with pin	1000-U757	-	-	1000-U757-01	-
			Polyamide GF / Zinc die black	Polyamide GF black / AISI 304	
Star handle	-	-	1000-U13	1000-U138	-
Wing knob	-	-	1000-U78	1000-U510	-



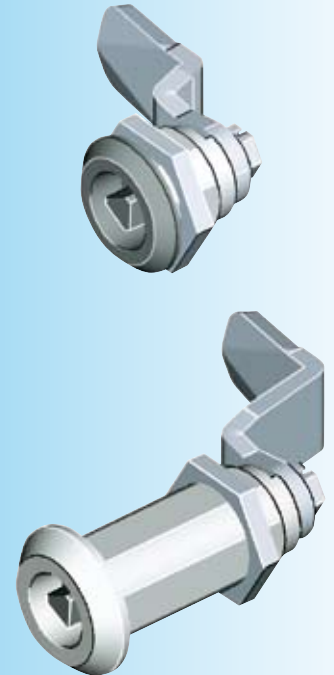
GH	Ts
30 mm	1,5 up to 20 mm
36 mm	1,5 up to 26 mm
40 mm	1,5 up to 30 mm
50 mm	1,5 up to 40 mm
60 mm	1,5 up to 50 mm

### Assembling instruction



IP 65 with:	
** flat seal	1000-23
** O-ring	1000-24
IP 66 with:	
Seal-set	1000-U769
IP 69K with:	
* Seal-set	1000-U841
Assembly on request:	
without O-ring	1000-990
with O-ring	1000-991

Housing material on choice; nut or earthnut m.s. zinc plated or nut stainless steel Adapter zinc die or AISI 303, screw m.s. zinc pl. or stainless steel						
GH in mm	Zinc die chrome plated		Zinc die black powder coated		Polyamide black	AISI 316
	Nut	Earthnut	Nut	Earthnut	Nut	Nut
30	1000-U51	1000-U65	1000-U225	1000-U226	1000-U876	1000-U878
- adapter			1000-U164			1000-U879
36	1000-U246	1000-U248	1000-U317	1000-U318	-	-
- adapter			1000-U198			-
40	1000-U66	1000-U67	1000-U227	1000-U228	1000-U737	-
- adapter			1000-U165			-
50	1000-U68	1000-U69	1000-U229	1000-U230	1000-U736	-
- adapter			1000-U166			-
60	1000-U504	1000-U505	1000-U506	1000-U507	-	-
- adapter			1000-U535			-



\*\* included in case of stainless st. version

\* Seal-set only complete assembled with housing, insert and cam available

**Note:**  
Quarter turn assembling 1B-105

<b>Further parts see page</b>	
- Housing	1B-760 1B-680 1B-820
- Quarter turn with stepped cam	1B-240
- cam with catch	1C-120 up to 1C-180
- Accessories	from 1C-170
- Insert with wing knob	1B-720
- Escutcheon	3B-140
- Door lock prominent	12A-220
- Key	12B-120