

Dmax Mono


The Domino Sign Dmax MONO is a new very precise technology developed for the meticulous manufacture of small signs, backlighting on small widths and very shallow (minimum 25 mm) boxes with a small size.

Its uniform luminous flux makes it possible to work on almost any letter surface while offering precision and ease of use.

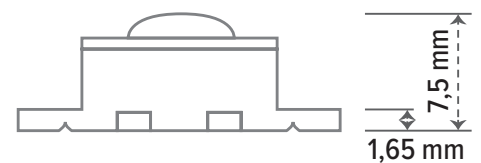
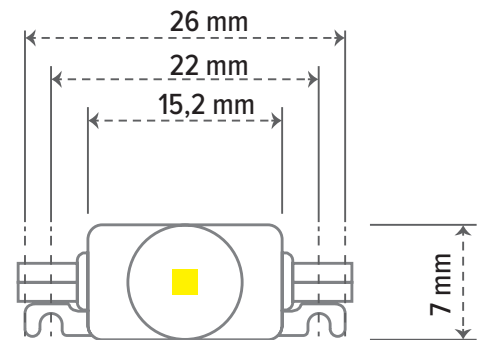
- ☒ High power
- ☒ Small dimensions
- ☒ 150° angle
- ☒ Available in white 6 500 K and ultra 10,000 K
- ☒ 3 year warranty



CE RoHS

DmaxMONO	 blanc / white 6 500 K 10 000 K
Flux lumineux / Luminous flux (lm)	33
Consommation / Consumption (W/module)	0,36
Animateur / Animation	oui / yes
Gradateur / Dimmer	oui / yes

* Sur commande / on demand



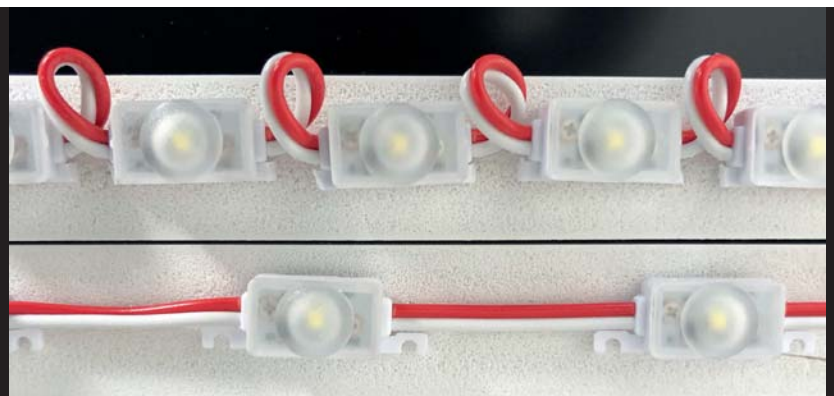
Packaging - Warranty

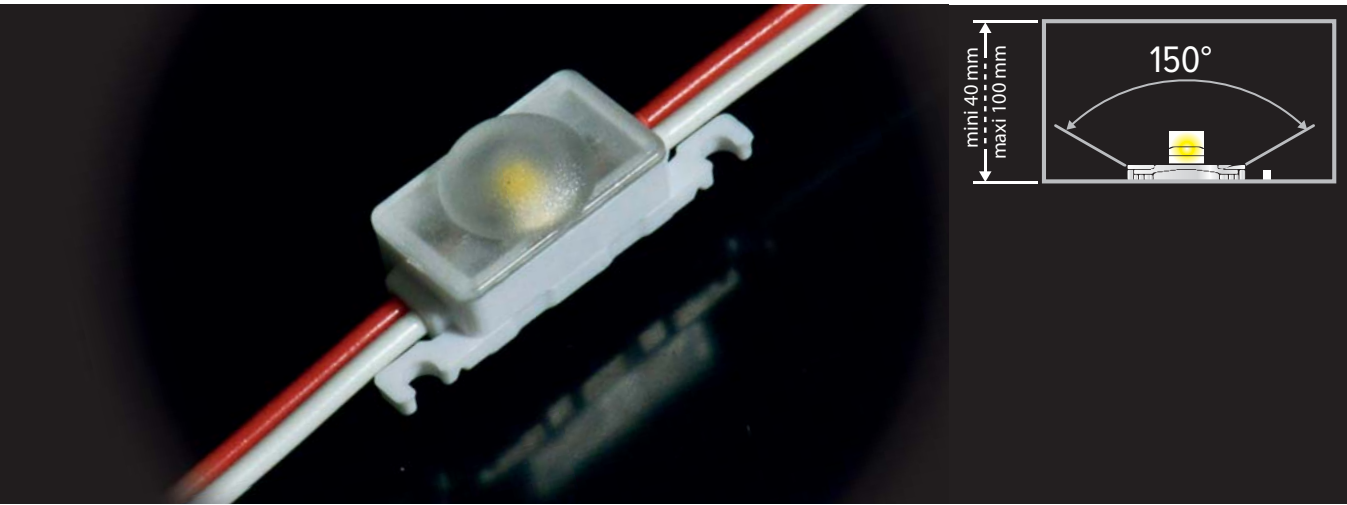
Packaging Dmax MONO: bag of 200 (4 x 50 modules)

Service life: 40,000 hours

Warranty: 3 years for use from 8 to 10 hours a day

Domino  sign.





DmaxMONO

