

# W-4000



**WEIGHING**  
DYNAMIC OR  
STATIC



**REJECTION**  
OPTIONAL



**UP TO  
9 OUTPUTS**

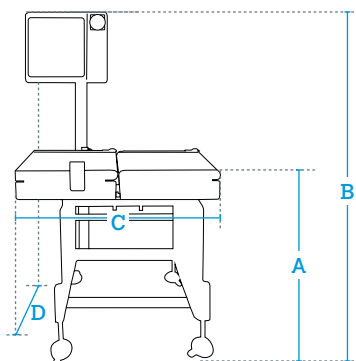


**8,000 PLUs**  
MEMORY



**ETHERNET**  
TCP/IP

## DIMENSIONS



DATA IN mm

<b>A</b>	820 - 970 (adjustable legs)
<b>B</b>	1,450 - 1,600 (adjustable legs)
<b>C</b>	850 (with L400 mm conveyors)*
<b>D</b>	650 (conveyors width + console width. For W280 mm conveyors)**

\* These measurements correspond to the sum of the infeed and weighing conveyors. For other sizes, contact us.  
\*\* For other sizes, contact us.

# Specifications:

## Outstanding functions

- Discrimination by weight control.
- Weight grading.
- Weight filling.
- Orders management.
- Piece counting.
- Inventory.
- Generic traceability.
- 24 Input/Output PLC.

## Weighing

- **Type of weighing:**
  - Dynamic or static.
- **Ranges depending on the dimensions of the weighing conveyor:**
  - 6 kg/2 g or 10 kg/5 g with conveyor of up to L400 x W400 mm.
  - 15 kg/5 g, 20 kg/10 g, 30 kg/10 g, 40 kg/20 g or 60 kg/20 g with conveyor of up to L600 x W500 mm.
  - 3 kg/1 g or others, contact us.

## Rejection/grading system (optional)\*

- **Rejection/grading system type:**
  - "Air-jet®".

- Pneumatic piston.
- Rotating blade.
- Folding conveyor.
- **Number of rejectors:**
  - From 2 to 8.
- **Position of the rejectors:**
  - They can be located on the same side or opposite sides.

## Construction

- **Structure:**
  - AISI 304 stainless steel and anodized aluminium.
- **Belts:**
  - Material and characteristics: Polyurethane, rigid or elastic depending on the equipment range. With FDA approval.
- **Console:**
  - Material: Stainless steel.
  - "Qwerty" keypad and graphic backlit LCD display.

## Communications to PC

- Ethernet TCP/IP.
- RS-232.

## PC Software

- **RMS:** For equipment configuration, production data management and back up (LBS).
- **DCS:** For production data management.
- **Integration tools:** See section on software.

## Power supply & compressed air

- **Electrical:** 230 V/50 Hz; 115 V/60 Hz.
- **Air:** max. 150l/min (at 5-8 bar) (if rejection/grading system is included).

## Possible integration with other equipment

- Dibal LS-4000 automatic weigh-price labeller.
- Aligner.
- Misaligner.
- 90° deflector.

\* All the rejection/grading systems (pneumatic piston, "Air-jet®", etc.) depend on the type of product/packaging, required speed, collection system, etc.; please always check with Dibal.

## MODELS:

### W-4200/350

No rejectors

- 1 infeed and 1 weighing L350 x W200 mm conveyor.
- For products of up to L250 x W200 mm and up to 3 kg (in dynamic weighing). Up to L300 x W200 mm in static weighing.
- Without rejection/grading system (check for options).
- Performance\*\*: 120 packages/minute (with products of up to L150 mm and 1 kg).

### W-4200/400

No rejectors

- 1 infeed and 1 weighing L400 x W280 mm conveyor.
- For products of up to L300 x W280 mm and up to 6 kg (in dynamic weighing). Up to L350 x W280 mm in static weighing.
- Without rejection/grading system (check for options).
- Performance\*\*: 80 packages/minute (with products of up to L200 mm and 2 kg).

### W-4200/600

No rejectors

- 1 infeed and 1 weighing L600 x W400 mm conveyor.
- For products of up to L500 x W400 mm and up to 15 kg (in dynamic weighing). Up to L550 x W400 mm in static weighing.
- Without rejection/grading system (check for options).
- Performance\*\*: 70 packages/minute (with products of up to L350 mm and 2 kg).

\*\* Maximum performance will depend on the size, weight and morphology of the product, as well as on the regularity of the infeed of the products, and the rejection/grading system installed.

# Options



> Other rejection system (folding conveyor)

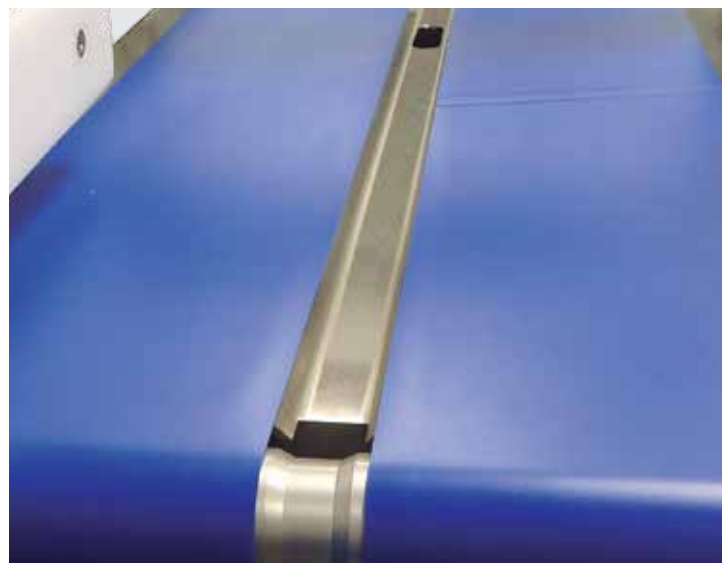


> Container for rejects

Option	Characteristics	Ref.
<b>Rejection by 1 pneumatic piston</b> (for model W-4200/400)	1 rejection/grading L600 x W280 mm conveyor with 1 pneumatic piston.* For products of up to L200 x W280 mm and up to 6 kg (in dynamic weighing). Performance**: 80 packages/minute (with products of up to L200 mm and 2 kg). For models W-4200/350 and W-4200/600, contact us.	Contact us
<b>Rejection by 2 pneumatic pistons</b> (for model W-4200/400)	1 rejection/grading L1,000 x W280 mm conveyor with 2 pneumatic pistons.* For products of up to L200 x W280 mm and up to 6 kg (in dynamic weighing). Performance**: 80 packages/minute (with products of up to L200 mm and 2 kg). For models W-4200/350 and W-4200/600, contact us.	Contact us
<b>Other rejection/grading systems</b> (by "Air-jet", rotating blade or folding conveyor)	Depending on the type of product/packaging, required speed, collection system, etc., a rejection/grading system other than piston type may be required.	Contact us
<b>L350 x W200 mm separation conveyor</b>	For model W-4200/350.	Contact us
<b>L400 x W280 mm separation conveyor</b>	For model W-4200/400.	Contact us
<b>L600 x W280 mm conveyor</b> (to replace L400 x W280 mm conveyor)	For model W-4200/400.	Contact us
<b>L800 x W280 mm conveyor</b> (to replace L400 x W280 mm conveyor)	For model W-4200/400.	Contact us
<b>L600 x W400 mm separation conveyor</b>	For model W-4200/600.	Contact us
<b>L400 x WA400 mm conveyor</b> (to replace L600 x W400 mm conveyor)	For model W-4200/600.	Contact us
<b>L800 x W400 mm conveyor</b> (to replace L600 x W400 mm conveyor)	For model W-4200/600.	Contact us



> Other rejection/grading systems ("Air-jet®")



> Split belt

<b>Split belt</b>	For transparent packs or irregular shape/cylindrical products.	Contact us
<b>Vertical detector on arch</b>	For transparent packs or irregular shape products. Infeed conveyor with split belt necessary.	Contact us
<b>Container for rejects</b>	Consult us.	Contact us
<b>Right to left operation</b>	Standard operation: from left to right.	Contact us
<b>IP65 protection kit</b>	Protected engines, bearings with lock, packaging gland, special load cell and heated detector.	Contact us
<b>RMS Software</b>	Equipment configuration, production data management and back up (LBS). (See section on software)	7340R1U3 7340RNU3
<b>DCS Software</b>	Production data management. (See section on software)	7340C0U3 7340CNU3
<b>Wi-Fi</b>	Wireless communication.	Contact us
<b>Packed in phytosanitary wood case</b>	Necessary depending on the destination.	PEEC080F

\* All the rejection/grading systems (pneumatic piston, "Air-jet®", etc.) depend on the type of product/packaging, required speed, collection system, etc.; please always check with Dibal.

\*\* Maximum performance will depend on the size, weight and morphology of the product, as well as on the regularity of the infeed of the products, and the rejection/grading system installed.

# Accessories



Ref: Contact us

## Motorised conveyor

Infeed/output L1,000 x W280 mm conveyor, with smooth belt.



Ref: Contact us

## Dibal Vision artificial vision camera

Contact us about applications.



Ref: Contact us

## Barcode readers

Contact us about applications.



Ref: Contact us

## Rollers conveyor

Rollers conveyor for transporting or accumulating products.



Ref: Contact us

## Rotating table

To collect wrapped and/or labelled products.



Ref: Contact us

## W200 mm exit ramp

Non-motorised PVC rollers for W200 mm conveyors.



Ref: Contact us

## W280 mm exit ramp

Non-motorised PVC rollers for W280 mm conveyors.



Ref: Contact us

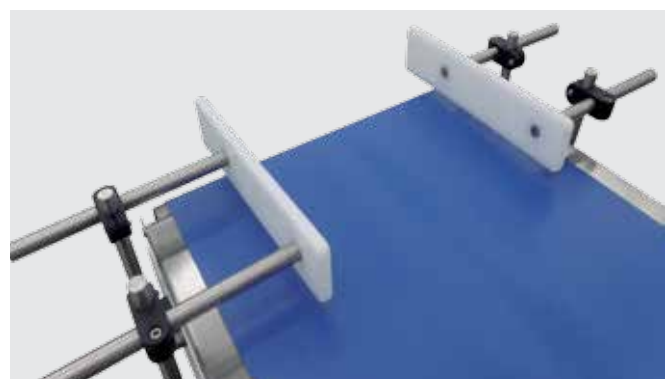
## W400 mm exit ramp

Non-motorised PVC rollers for W400 mm conveyors.



Ref: Contact us

### Exit ramp for rejected products



Ref: Contact us

### Product guiding system in infeed conveyor (standard)

For special guides, contact us.



Ref: Contact us

### Product turning device

To change the position or orientation of the products.



Ref: Contact us

### Polycarbonate protector for weighing conveyor

To avoid external disturbances during the weighing process.



Ref: Contact us

### 4 wheels with brakes

Stud included.



Ref: Contact us

### 24V visual and audible alarm