

• Technical data

Type		LG B 12.5 275RM/4P
Art.-No.		801 422
Nominal voltage	U_N	230V/400V~
Rated voltage (max. continuous voltage)	U_C	275V~
Total lightning impulse current (10/350µs) L1+L2+L3+N-PE	I_{imp}	50kA
Lightning impulse current (10/350µs)	I_{imp}	12.5kA
Nominal discharge current (8/20µs)	I_n	25kA
Max. discharge current (8/20µs)	I_{max}	50kA
Voltage protection level	U_p	≤ 1.5kV
Response time	t_A	≤ 25ns
Max. back up fuse		160A gL/gG
Operating temperature range	T_U	-40°C...+80°C
Cross-sectional area		1.5mm ² ~25mm ² solid / 35mm ² flexible
Mounting on		35mm DIN rail
Enclosure material		Light grey thermoplastic, UL94-V0
Dimension		4 mods
Test standards		IEC 61643-11; EN 61643-11; GB 18802.11
Certification		CE (LVD, EMC)
Type of remote signalling contact		Switching contact
Switching capacity	U_N/I_N	AC:250V/0.5A DC:250V/0.1A, 125V/0.2A, 75V/0.5A
Cross-sectional area for remote signalling contact		Max. 1.5mm ² solid / flexible

• Product introduction

1. Summary

BT P BCM12.5 275RM/4P is for installation at LPZ 0_A-2 or higher, protect low voltage devices from surge damages. Specially designed for TNC-S system ("4-0" circuit). Applied in SPD Class I-II (Class B+C) for various power supply system of lightning current surge protection. Designed according to IEC 61643-11/EN61643-11/GB 18802.11.

3. Application

BT P BCM12.5 275RM/4P is mainly for installing main power distribution-box to discharge direct lightning current.

• Installation instruction

According to lightning protection zones concept, for installation at LPZ 0_A-2 or higher. This surge protective device is usually installed in distribution-box or feeder bus of UPS, protecting devices or equipment downstream.

Fuse must be installed at the upstream of the SPD or the lightning arrester to make sure that the protected system has double protection. The value of the fuse used in a SPD system should be conformed to:

1. The value of FUSE should not be larger than the max. withstand capacity of the SPD's backup fuse value.
2. Under the status of the max. current in the power supply & close loop circuit available current, the fuse should be able to disconnect when overloaded or short-circuited.
3. Take 1 & 2 into consideration, the fuse should be as large as possible to allow the maximum surge discharge of SPD.

2. Main character

- Three-phase protection for TNC-S system ("4-0" circuit)
- High discharge capacity, quick response, pluggable
- Double thermal disconnection devices, providing more reliable protection
- Multifunctional connection for conductors and busbars
- Green window will change to red when fault and also provide remote alarm control at the same time

4. Application environment

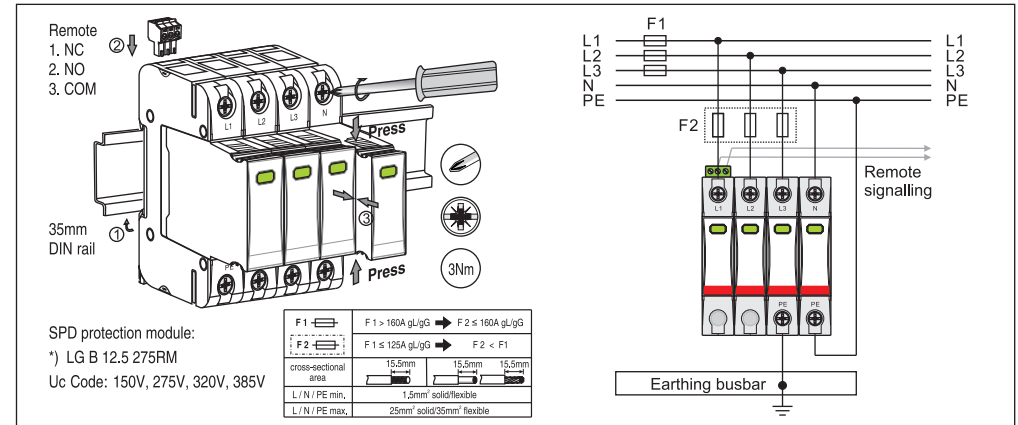
- Temperature: -40°C ~ +80°C
- Relative humidity: ≤ 95% (25°C)

• Installation steps

1. Check the product for integrity of the package; make sure the product window indicate green.
2. Mount the SPD on the 35mm DIN rail.
3. Connect conductors, the cross-sectional area of cable must be larger than 6mm². The withstand voltage value of cable is not smaller than AC500V; ensure wiring reliable.
4. If need remote alarm, it should be connected signal lines to remote signal terminal 1 and 2, or 2 and 3 (When normal, 1 and 2 open, 2 and 3 close; when fault, the state is reversed).
5. After above, switch on the power supply and turn on the circuit breaker, if the SPD's window indicates green, this indicates the unit is operating normally.

Regularly inspect the operating status, especially after lightning. Once the fuse upstream breaks, or the SPD's window indicates red, electrician should check/replace the SPD.

BT P BCM12.5 275RM/4P installation diagram:



WARNING:

1. The device must be installed by electrically skilled person, conforming to national standards and safety regulations.
2. It is recommended that installation should be done under power off condition.