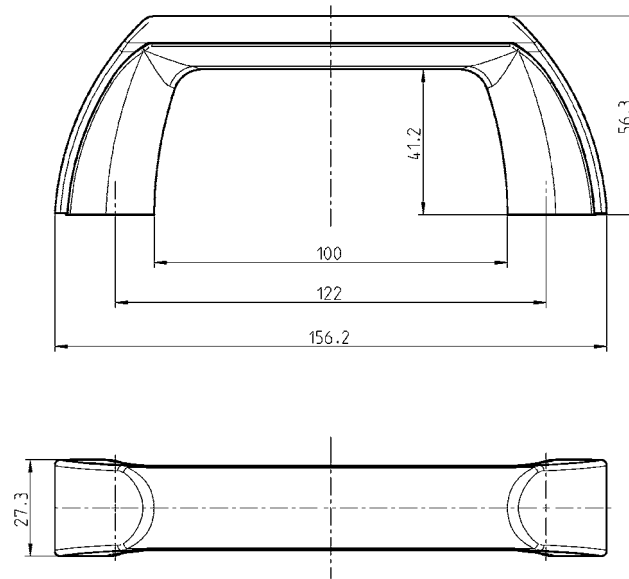


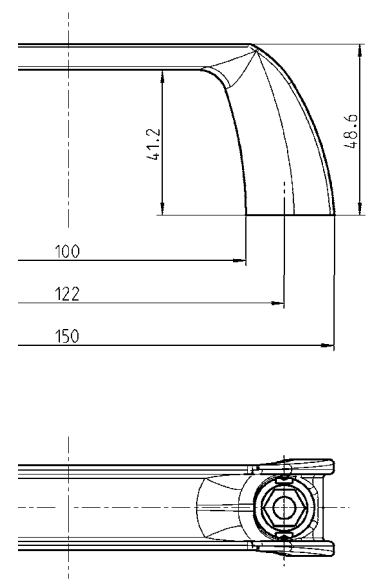
- Info
- 1 Quarter turns
- 2 Rod controls
- 3 Locking systems
- 4 Hinges
- 5 Gasketing
- 6 Handles



Bow-type handle with cover



Bow-type handle without cover

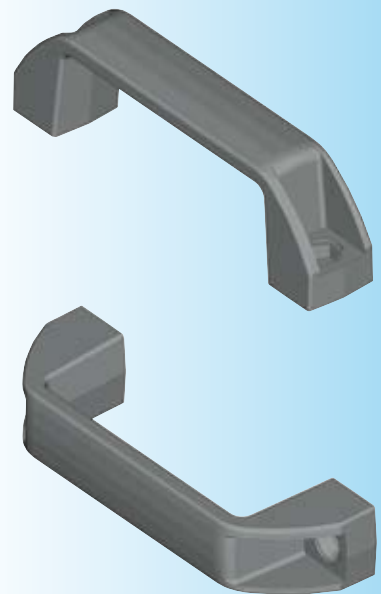


Bow-type handle polyamide GF black

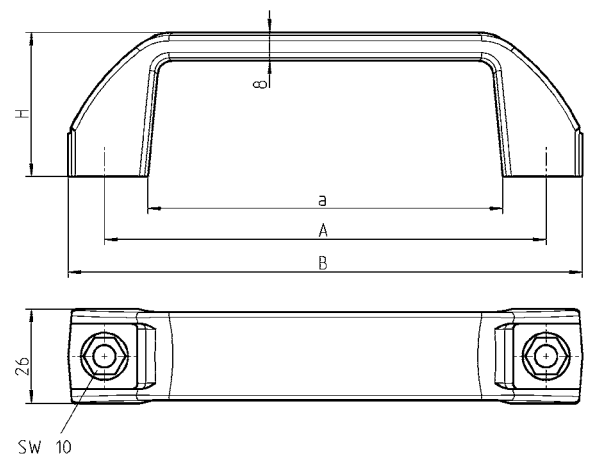
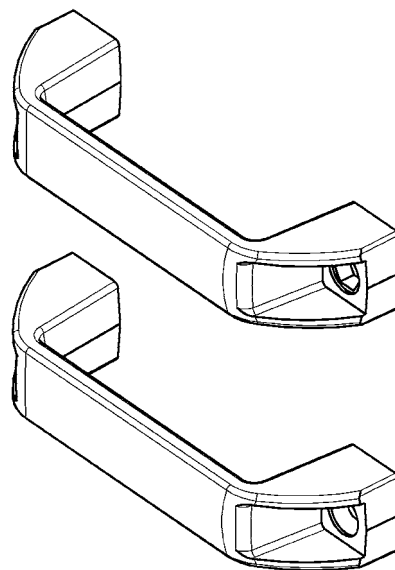
Handle for hexagon or socket head screw M6 acc. to DIN 4017/1207	1095-35
Handle for countersunk screw M5 or rivet 4.8 mm dia	1095-36

Cover for bow-type handle polyamide GF black

1095-37



Bow-type handle



Version	a	A	B	H
1	98	122	142	40
2	118,5	152	167	53,5

small head = DIN ISO 2009, 2010, 7046-1, 7046-2, 7047

Fastening material is not included in delivery.

Bow-type handle polyamide GF black

	Version 1	Version 2
Handle for hexagon or cylinder screw M6 acc. to DIN 4017/1207	1095-05	1095-19
Handle for countersunk screw small head M5 or blind rivet Ø 4.8 mm	1095-06	-