

The high performance discharging bars IONSTAR RX3 are used mainly in cases where disruptive static charges need to be eliminated over great distances.

The advantages of the discharging system IONSTAR RX3:

- integrated high voltage generation
- high output voltage for ultimate discharge range
- non-wearing emission tips
- shockless - no danger of electrical shock to personnel
- robust design
- easy installation
- function and malfunction monitoring with floating signal contacts
- automatic distance measurement with discharge optimization (depending on the version)

Technical Information



RX3_re

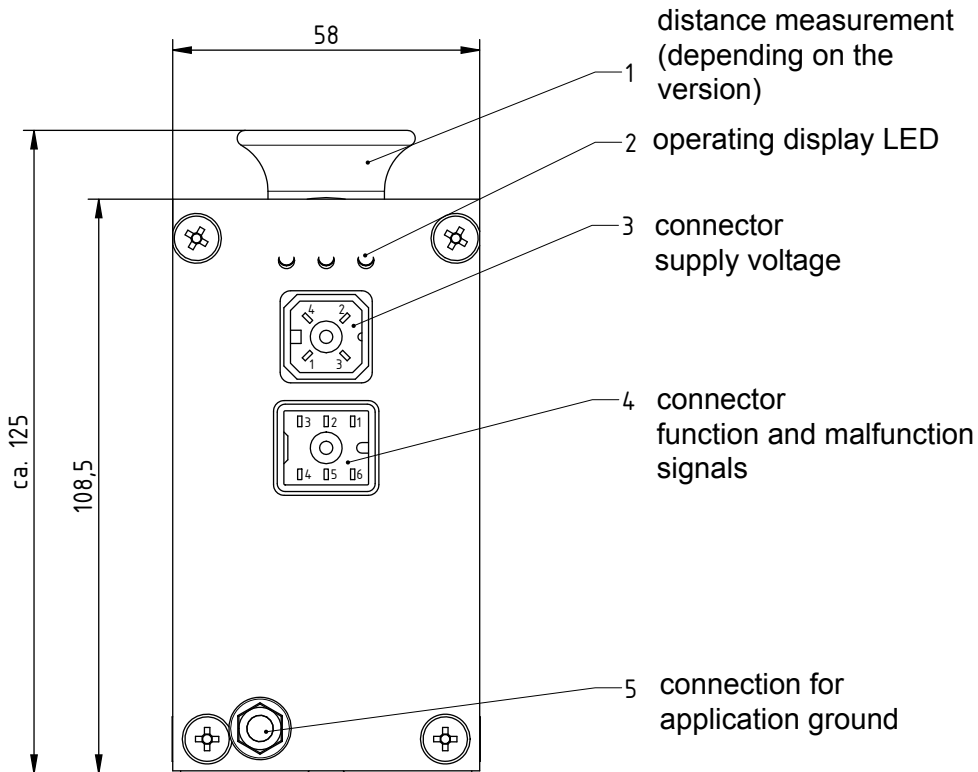
Discharging Bar IONSTAR RX3

for 24 V DC

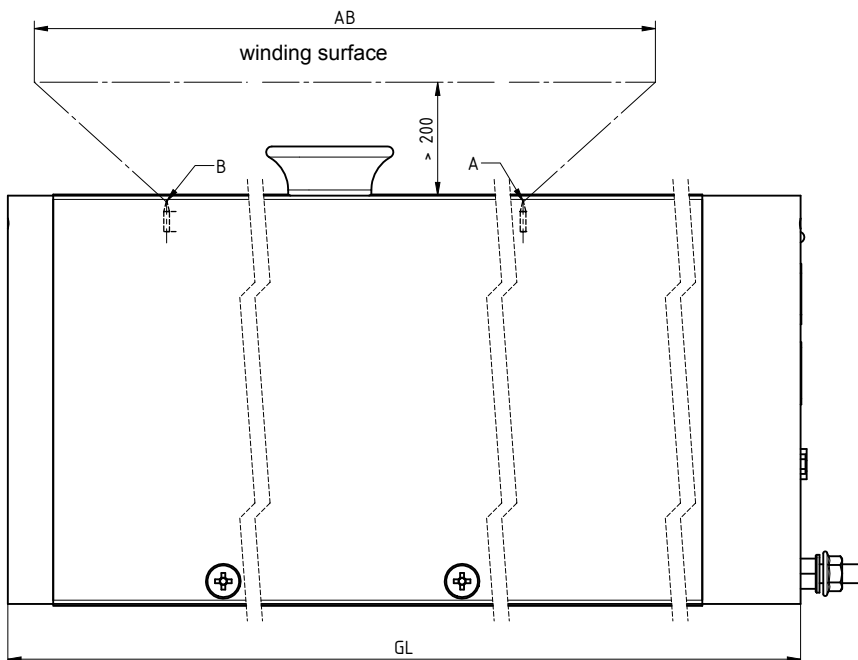
TI-en-2058-1603



Dimensions and assembly instructions

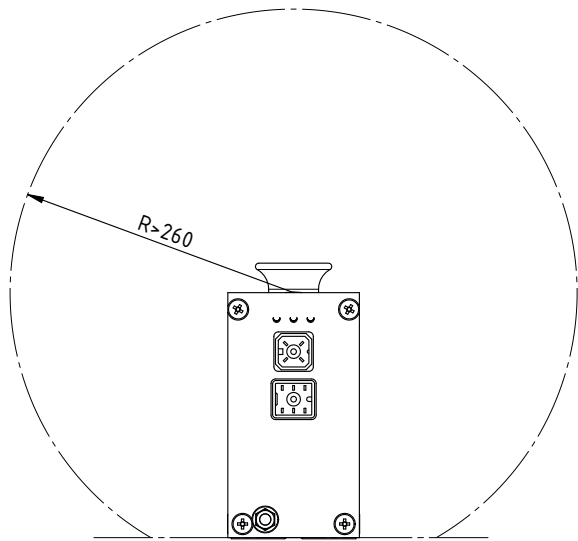


Z-109988d_1



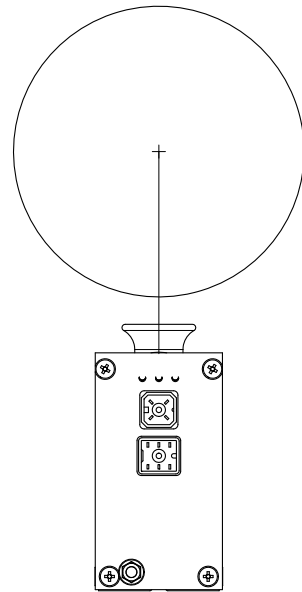
AB = working width
 GL = total length
 A = first tip
 B = last tip

Z-109988c_2



Distance frontal: min. 60 mm
 R = zone free of conductive grounded material around the discharging bar RX3

Z-109988d_4



Alignment of the bar RX3

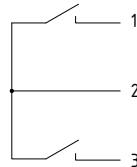
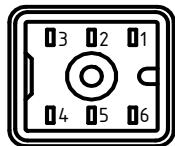
Connector supply voltage



PIN 1: do not connect
 PIN 2: +24 V DC
 PIN 3: Ground
 PIN 4: do not connect

Z-109988c_6

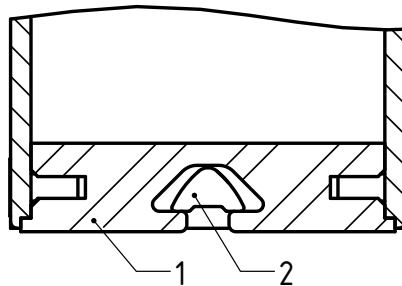
Assignment of the connector for function and malfunction signals (contacts at rest)



PIN 1: Warning
 PIN 2: COM
 PIN 3: Error
 PIN 4: do not connect
 PIN 5: do not connect
 PIN 6: do not connect

Z-109988c_7+8

Assembling the discharging bar



1 Aluminum profile
 2 Sliding nut M6

Z-109988c_3

Available lengths of the electrode

reference code	total length	max. working width	weight
RX3/S000848	848 mm	920 mm	5.6 kg
RX3/S001088	1088 mm	1160 mm	6.8 kg
RX3/S001328	1328 mm	1400 mm	8.0 kg
RX3/S001568	1568 mm	1640 mm	9.2 kg
RX3/S001808	1808 mm	1880 mm	10.4 kg
RX3/S002048	2048 mm	2120 mm	11.6 kg
RX3/S002288	2288 mm	2360 mm	12.8 kg
RX3/S002528	2528 mm	2600 mm	14.0 kg
RX3/S002768	2768 mm	2840 mm	15.2 kg
RX3/S003008	3008 mm	3080 mm	16.4 kg

Technical specifications IONSTAR RX3

Supply voltage	24 V DC $\pm 10\%$
Input current	max. 3 A
Power input	max. 55 W
Output voltage	± 40 kV
Operating distance	200 - 800 mm
Measuring range ultrasonic sensor	350 - 700 mm optional: version with factory-set distance Please specify the distance when ordering.
Ambient operating temperature	+5...+40°C (+41...+104°F)
Ambient humidity	max. 70% r.h., non-dewing
Short-circuit current / tip	max. 0.45 mA
Application ground	grounding terminal at the housing
Protection class	IP 40 according to EN 60529
Mounting material	slot nuts M6
Dimensions	108.5 mm x 58 mm x total length



Eltex-Elektrostatik-Gesellschaft mbH
Blauenstraße 67-69, D-79576 Weil am Rhein
Telefon +49 (0) 76 21/ 79 05 - 230
Telefax +49 (0) 76 21/ 79 05 - 330
eMail info@eltex.com
Internet www.eltex.com

