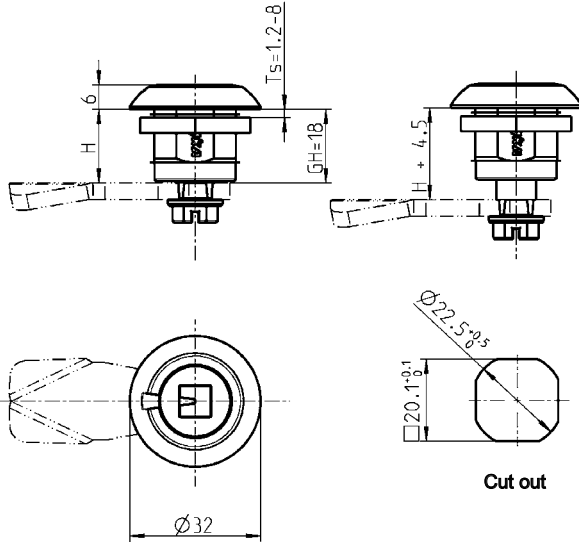


Compression latch

PROGRAM 1000

Vibration proof

These latches are designed to be vibration resistant with a distinct "over-center" action. There may be some cases of extreme vibration where this detent is overcome. Therefore we recommend rigorous testing.



for stainless steel version

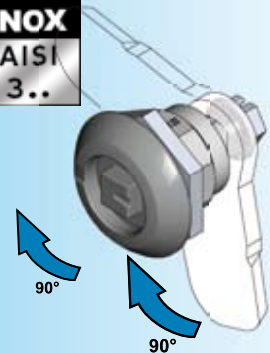
Product benefits

- compact design
- compatible with other quarter-turns with GH = 18 mm
- fire protection acc. to DIN EN 45545-2 with E20
- short housing GH = 18 mm
- foamed sealing
- standard cutout

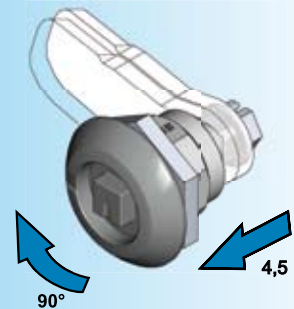
Housing and insert material acc. to customer's specifications, nut and screw m. s. zinc plated or stainless steel, with spring and seal

	Zinc die black powder coated	Zinc die chrome plated	AISI 316
Square 6	on request	on request	on request
Square 7	on request	1000-U859-IA	1000-U859-PH
Square 8	1000-U852	1000-U852-IA	1000-U852-PH
Triangular 6,5 CNOMO	on request	on request	on request
Triangular 7	on request	1000-U864-IA	1000-U864-PH
Triangular 8	1000-U853	on request	1000-U853-PH
Triangular 9	on request	on request	on request
Triangular 10	on request	on request	on request
Double bit 3	1000-U854	on request	1000-U854-PH
Double bit 5	1000-U855	on request	1000-U855-PH
Male hexagon 11mm with indicator	on request	on request	on request
Hexagon female 8mm	on request	on request	on request
Hexagon female 8mm with pin	on request	on request	on request
Hexagon female 10mm	on request	on request	on request
Square female 6	on request	on request	on request
Square female 7	on request	on request	on request
Square female 8	on request	on request	on request
Daimler Benz	on request	on request	on request
Slot 1,2 x 3	on request	on request	on request
Slot 2 x 4	on request	on request	on request
Slot 2 x 4 coinproof	on request	on request	on request
Crown type	on request	on request	on request
Railway	1000-U856	on request	1000-U856-PH
Tube with indicator	on request	on request	on request

Beschlagteile



Open condition
The first 90° of rotation of the insert also turns the cam 90°.



Closed position
The second 90° of rotation of the insert draws the cam toward the door 4.5 mm axially.



Compressed condition

Unlock:
Reversed rotation

Further parts see page

- Cam without catch from 1C-120
- (not for cam with rod control)
- Accessories from 1C-320
- Escutcheon 3B-140
- Key 12B-120