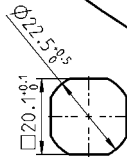
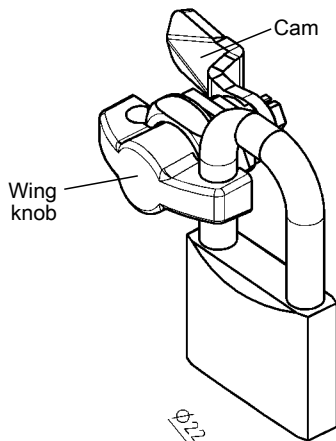


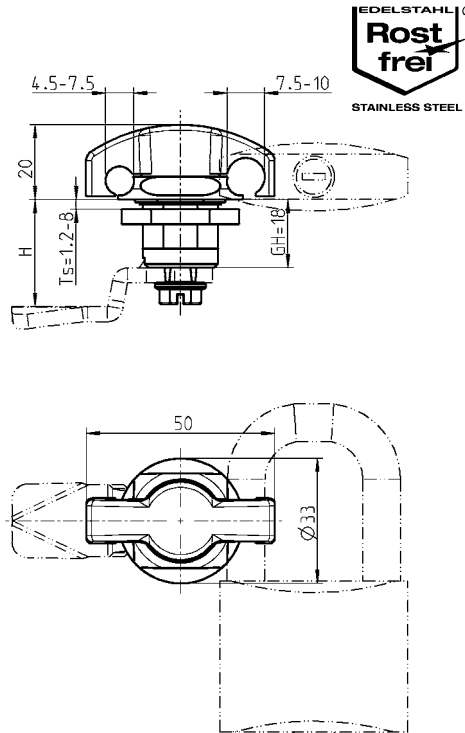
# Quarter turn for padlock

## PROGRAM 1000

## Beschlagteile



Cut out

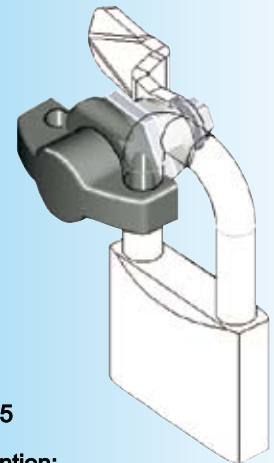


Wing knob and housing zinc die black powder coated, nut and screw m.s. zinc plated, with seal

1000-U429-01

Wing knob quarter turn AISI 316, with seal

1000-U429-01PH



IP 65

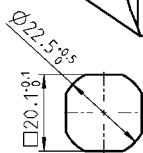
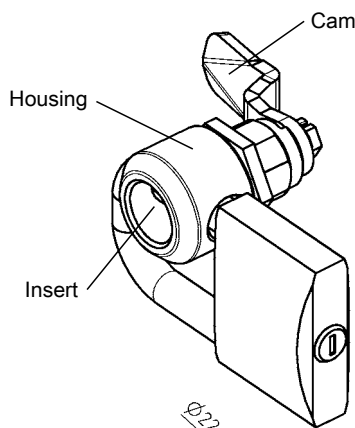
**Attention:**

In case of an attached padlock with suitable shackle Diameter, the wing knob cannot be moved.

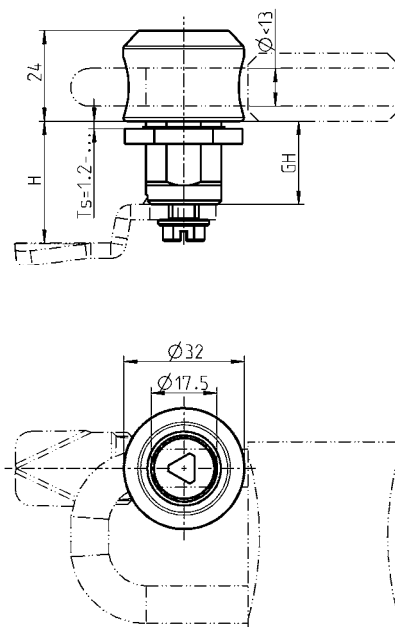
For shackle Ø 4.5 to 10

**Further parts see page**

- cam with catch 1C-120
- Accessories up to 1C-180
- Accessories from 1C-340

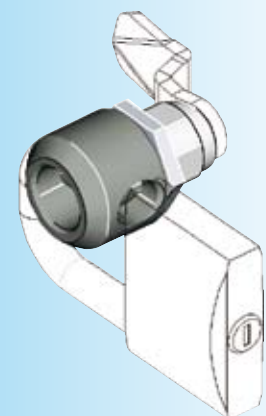


Cut out



Housing zinc die black p.c., nut and earthnut m.s. zinc plated

GH	TS<	Nut	Earthnut
22	13	1000-U436	1000-U438
32	23	1000-U437	1000-U439
42	33	1000-U734	1000-U735



For shackle ≤ Ø 13

**Note:**

Quarter turn assembly 1B-105

**Further parts see page**

- Insert 1B-140
- IP 65 or IP 66 1B-140
- cam with catch 1C-120
- Accessories from 1C-340
- Escutcheon 3B-140
- Key 12B-120