

TM



BazaNova

Windows & Facade Solutions
www.baza-nova.com

COR 70

INDUSTRIAL
HINGED OPENING



DESCRIPTION

You can choose an aluminum patio door with one or two sashes. Each sash can be personalized regarding the opening direction. Aluminum joinery offers the possibility of integrating a large surface area of glazing as for large bay windows. The types of French doors possible depend on the number of sashes and the installation of a high transom. Each sash can be more or less individualized as well as the height of the transom which can be fixed or oscillating. An overlapping patio door is a construction without a central mullion, i.e. the hinged patio door is closed by tilt-and-turn patio door positioned on the left or right.

FEATURES



EN 12208:2000 : E1500



Uw from 0.9 (W/m²K)



120 Kg/ Sash



EN 12207:2000 class A4



4.48 m² / Sash



Coloring options
RAL / TEXTURÉ / ANODISÉ



EN 12208:2000 class C5



Glazing up to 55mm

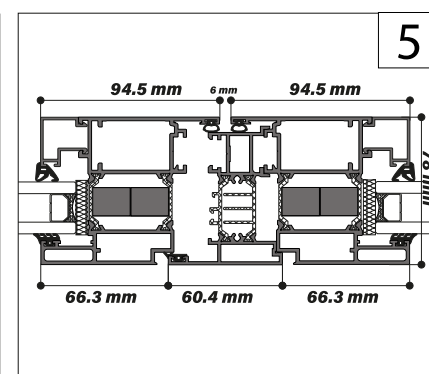
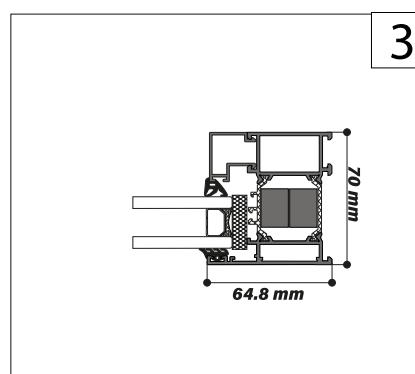
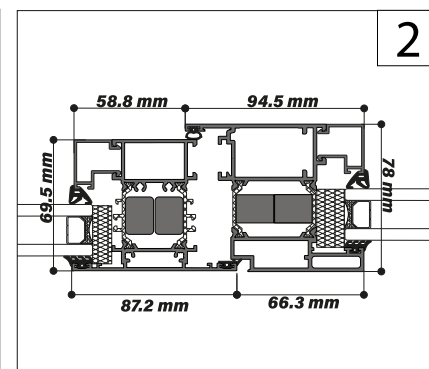
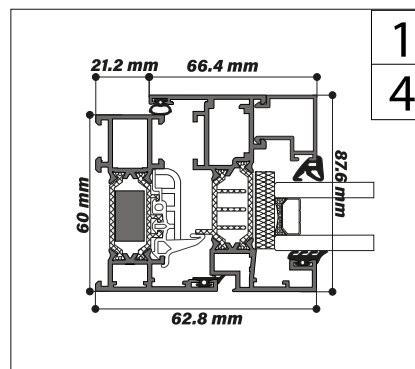
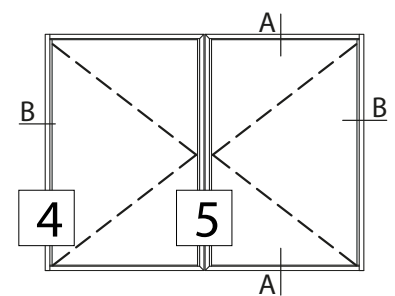
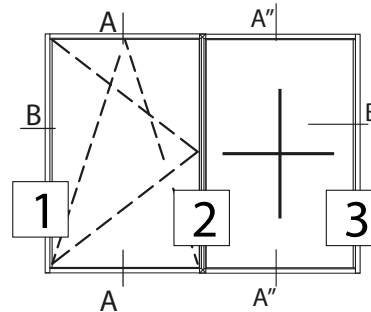


RW Maximum =46dB



H 2800mm / Sash

TECHNICAL SPECIFICATIONS





BazaNova

Windows & Facade Solutions
— www.baza-nova.com —

YOUR VISION, OUR REALITY!

+359 877 977 045

bazanovaltd@gmail.com

www.baza-nova.com