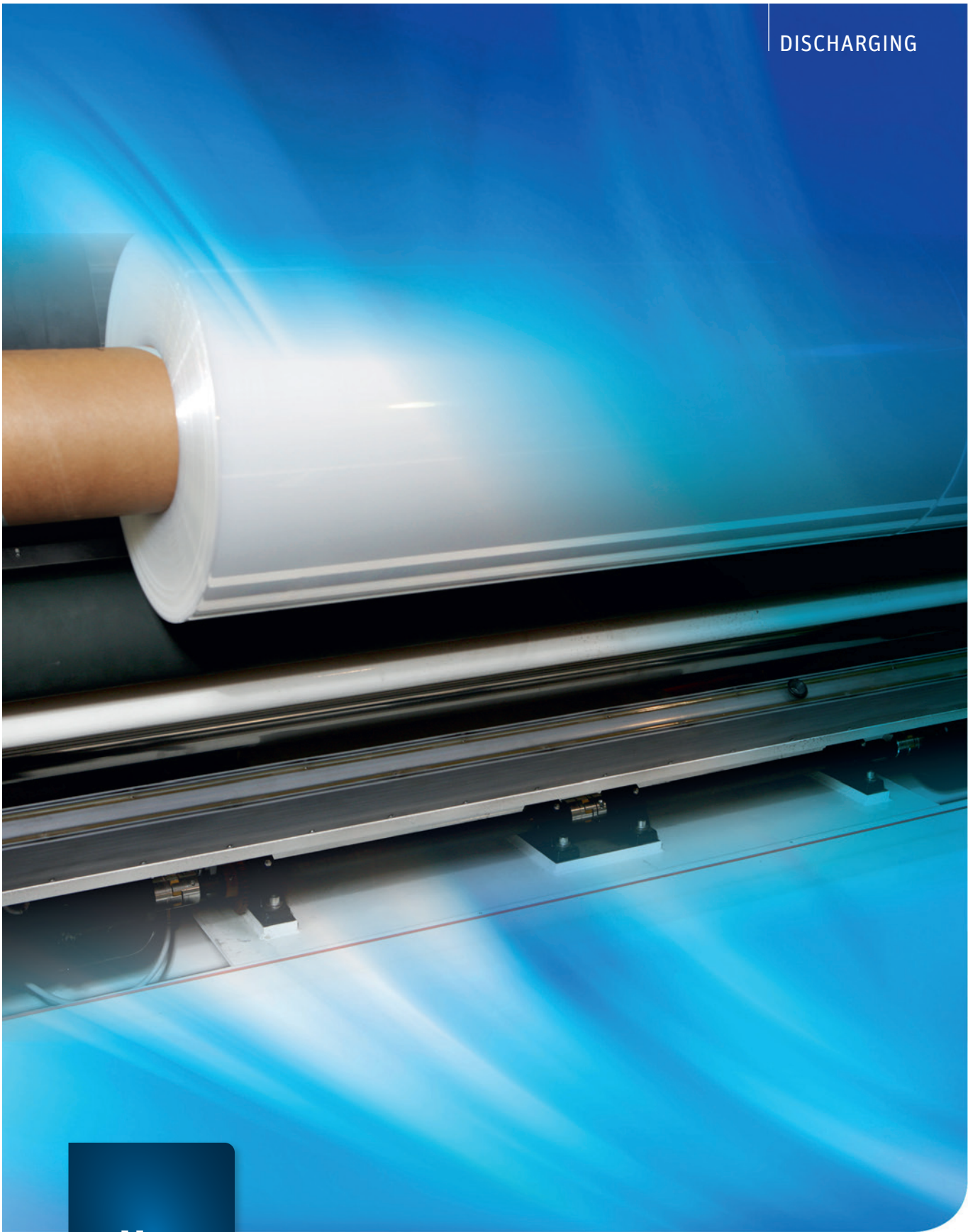


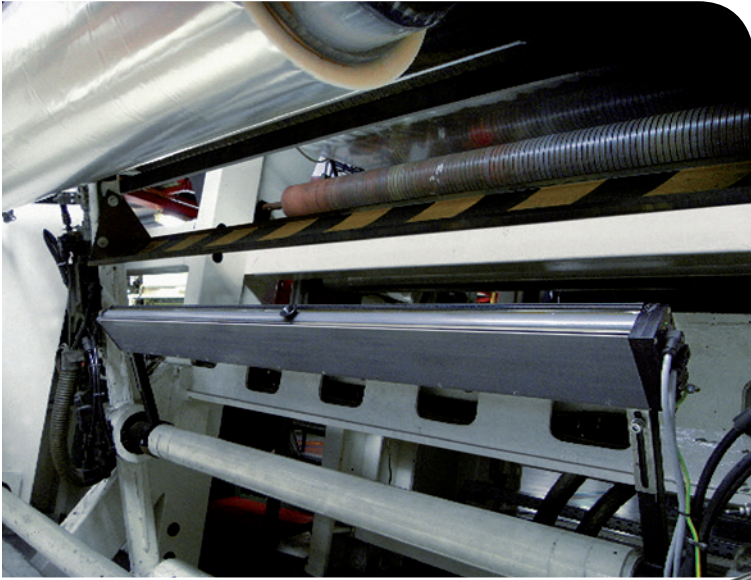
DISCHARGING



ellex electrostatic
innovations

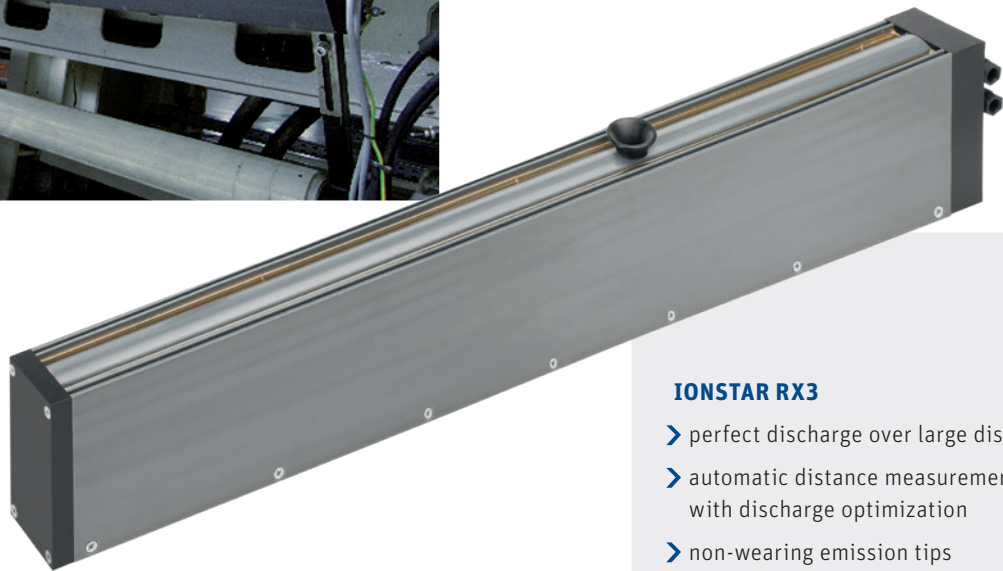
> IONSTAR RX3

➤ Makes the difference The intelligent discharging bar IONSTAR RX3



In all situations where great or changing distances have to be bridged and very high electrostatic charges have to be dissipated, the discharging bar IONSTAR RX3 shows its true strengths.

The intelligent sensors of the IONSTAR RX3 continuously monitor the distance and the charge level of the object to be discharged and automatically adapt the power output to the actual conditions. The system has outstanding efficiency for the removal of electrostatic charges from winding stations.



Long range – intelligent – flexible

The IONSTAR RX3 optimizes your production process – whether it's winding or unwinding film webs, in the reel slitter or many other demanding applications.

The powerful high voltage generator is integrated in the bar and is capable to neutralize even high charges in almost no time, allowing previously unheard of discharging ranges. No additional air support is needed.

Non-wearing emission tips, robust and an easy-to-clean design ensure that only a minimum of maintenance is needed. An aluminum profile on the rear with sliding nuts makes for easy assembly, even in difficult installation situations.

IONSTAR RX3

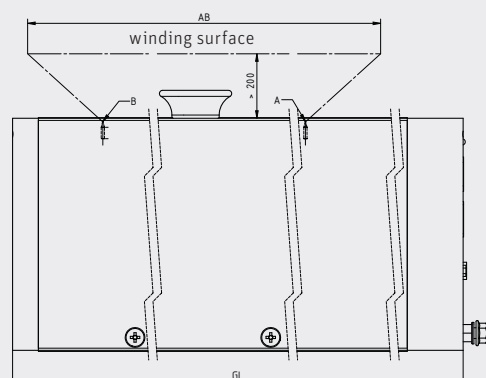
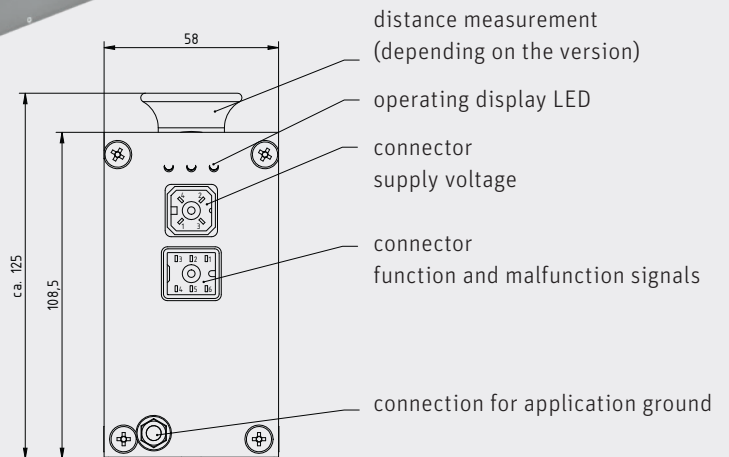
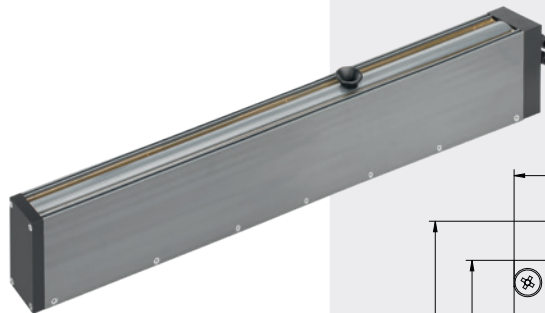
- perfect discharge over large distances
- automatic distance measurement with discharge optimization
- non-wearing emission tips
- 24 V DC voltage supply
- no separate high voltage power supply required


IONSTAR RX3

Technical specifications

Supply voltage	24 V DC $\pm 10\%$
Input current	max. 3 A
Power input	max. 55 W
Output voltage	± 40 kV
Operating distance	200 – 800 mm
Measuring range ultrasonic sensor	350 – 700 mm optional: version with factory-set distance
Ambient operating temp.	+5...+40°C (+41...+104°F)
Ambient humidity	max. 70% r.h., non-dewing
Short-circuit current / tip	max. 0.45 mA
Application ground	grounding terminal at the housing
Protection class	IP 40 according to EN 60529
Mounting material	slot nuts M6
Dimensions	108.5 mm x 58 mm x total length

Dimensions



AB = working width
GL = total length
A = first tip
B = last tip