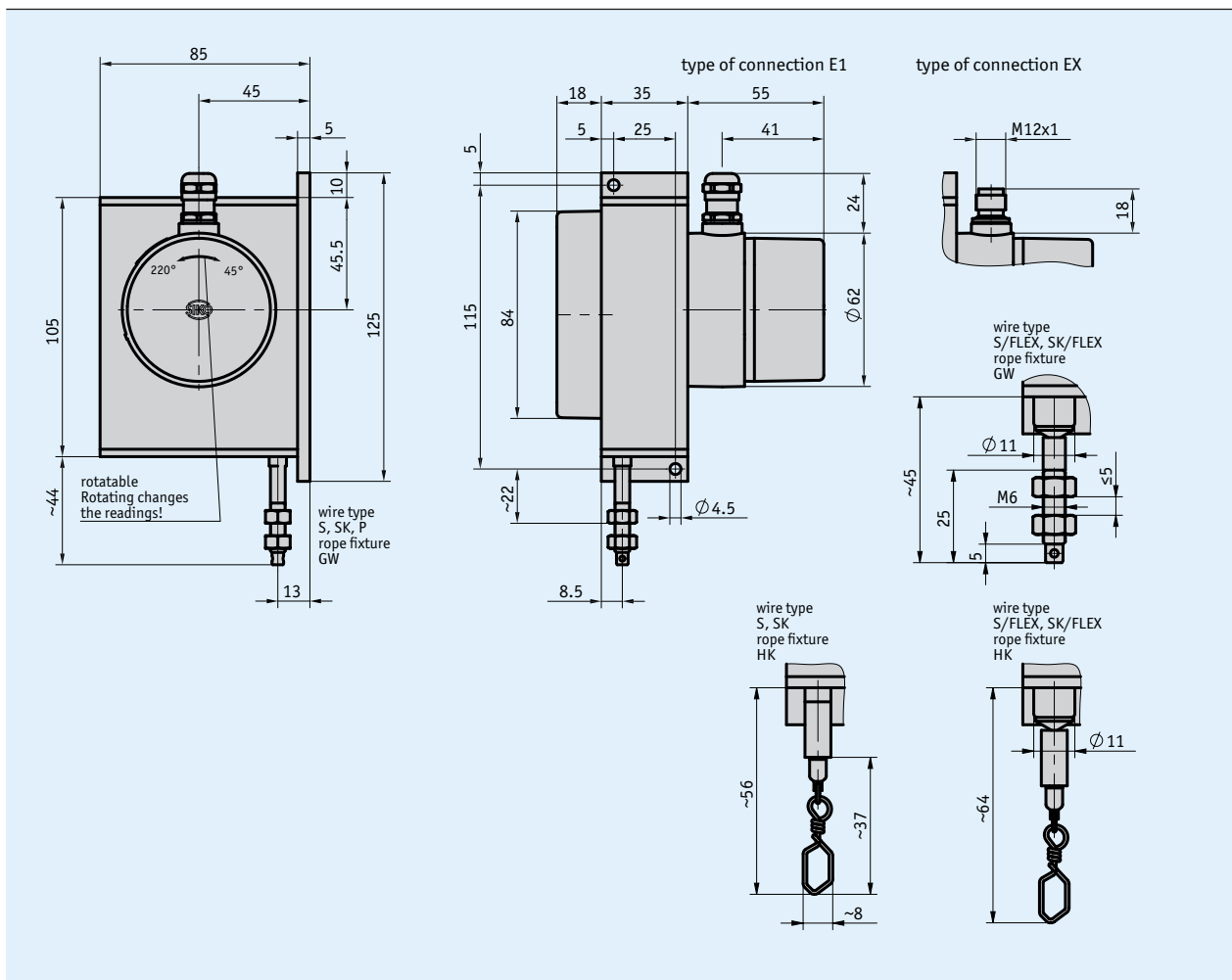


Profile

- Robust design
- Measurement lengths up to max. 6000 mm
- Potentiometer, voltage or power output
- Housing made of aluminum and plastic
- Potentiometer/resistance range adapted to actual measurement length via an integrated gear
- Various wire types



Mechanical data

Feature	Technical data	Additional information
Housing	aluminum/plastic	
Wire design	steel wire $\varnothing 0.54$ mm steel wire (stainless steel) $\varnothing 0.87$ mm para-line synthetic rope $\varnothing 1.05$ mm	plastic coated
Extension force	≥ 8 N	
Measured distance/ rope drum revolution	200 mm	
Weight	~ 0.7 kg	

max. travel speed

Measuring range [mm]	750	1000	1250	1500	1750	2000	2250	2500	2750	3000	3250	3500	6000
Travel speed [mm/s]	≤ 200	≤ 300	≤ 300	≤ 400	≤ 490	≤ 500	≤ 600	≤ 700	≤ 800	≤ 800	≤ 900	≤ 1000	≤ 1000

Electrical data

Encoder potentiometer

Feature	Technical data	Additional information
Power rating	2 W at 70 °C	
Resistance	1 k Ω 2 k Ω 5 k Ω 10 k Ω	P01 P02 P05 P10
Resistance tolerance	± 5 %	
Linearity tolerance	± 0.25 %	

Transducer, power output

Feature	Technical data	Additional information
Operating voltage	10 ... 30 V DC	between I+ and I-, load $\leq 500 \Omega$
Output current	4 ... 20 mA	

Transducer, voltage output

Feature	Technical data	Additional information
Operating voltage	15 ... 28 V DC	at 3 mA without load
Output voltage	0 ... 10 V DC	
Resistance	2 ... 10 k Ω	against GND
Load	≤ 15 mA	

* Measurement transducers permit optimum adjustment of the output current and output voltage to the measuring range. The measurement transducer is pre-set at the works so that an output signal of 4 ... 20 mA (MWI) or 0 ... 10 V DC (MWU) is available.

System data

Feature	Technical data	Additional information
Repeat accuracy	~ 0.5 mm	per direction of approach
Travel speed	see table	

Ambient conditions

Feature	Technical data	Additional information
Ambient temperature	-20 ... 80 °C -40 ... 80 °C	T1 T2 (draw-in speed ≤ 800 mm/s)
Protection category	IP65 (potentiometer part)	EN 600529

Pin assignment

■ Potentiometric outputs P10

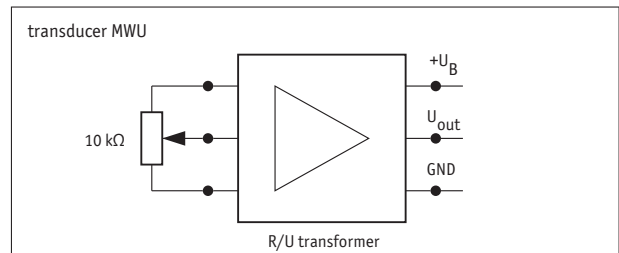
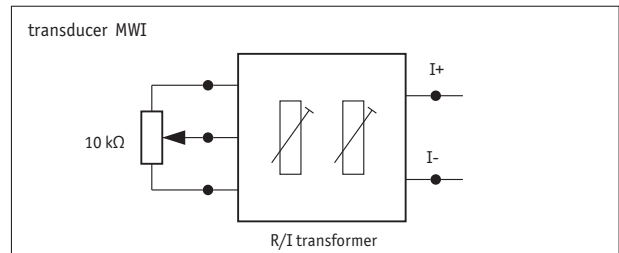
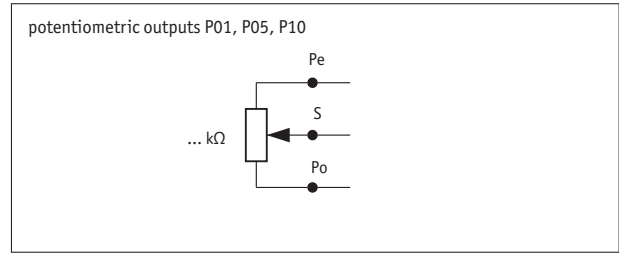
Signal	E1 (terminal)	E12 (connector pin)
Po	brown	1
Pe	white	2
S	green	3
nc		4

■ MWI transducer

Signal	E1 (terminal)	E12 (connector pin)
I+	1	1
I-	2	2
nc	3	3
nc		4

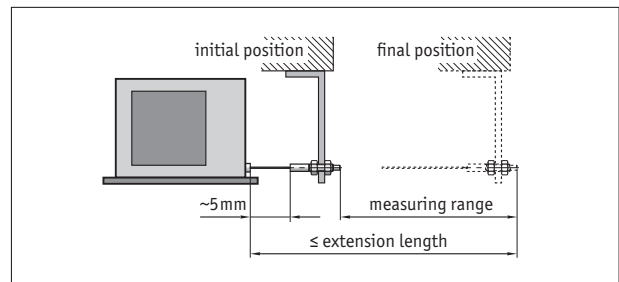
■ MWU transducer

Signal	E1 (terminal)	E12 (connector pin)
+24 V DC	1	1
GND	2	2
U _{out}	3	3
nc		4



Hint for mounting

When securing the wire it must be ensured that the wire is straight and vertical in relation to the wire outlet.
 Recommendation: Only select the starting position after an unwound length of approx. 5 mm. This prevents the wire hitting the end stop when it is rewound.



symbolic depiction

Order

Ordering table

Feature	Ordering data	Specification	Additional information
Measuring range	... A	750 ... 6000 mm, in steps of 250 mm	
Rope fixture	GW	wire suspension with thread	
	HK	wire suspension with hook	
Wire design	S	stainless steel rope	measuring range ≤ 6000 mm
	SK	stainless steel rope, plastic-coated	measuring range ≤ 4000 mm
	P	para-line, non-conducting, signal color	measuring range ≤ 2800 mm
	S/FLEX	stainless steel rope, flexible rope outlet	measuring range ≤ 6000 mm
	SK/FLEX	stainless steel rope, plastic-coated, flexible rope outlet	measuring range ≤ 4000 mm
Type of connection	E1	cable gland PG7	cable ø 3-6.5 mm
	EX	for M12 connector	
Potentiometer type	02	10 helices/wire	(P01, P05, P10)
	03	10 helices/hybrid	(P01, P05, P10)
Analog output	MWI	4 ... 20 mA transducer	
	MWU	0 ... 10 V transducer	
	P01	potentiometer 1 kΩ	
	P05	potentiometer 5 kΩ	
	P10	potentiometer 10 kΩ	
Operating temperature	T1	-20 ... +80 °C	≤ feed speed 800 mm/s
	T2	-40 ... +80 °C	

Order key

SGP/1 - - - - - - -

A B C D E F G

Scope of delivery: SGP/1, Mounting instructions

Accessories:

Electronic display MA50

Guide roller UR

Wire extension piece SV

Mating Connector Overview

Mating connector, EX, 4-pole, socket

www.siko-global.com

www.siko-global.com

www.siko-global.com

www.siko-global.com

Order key 83419