

# G-400 series



## Dimensions DATA IN mm

<b>A</b>	320
<b>B</b>	400
<b>C</b>	356
<b>D</b>	116

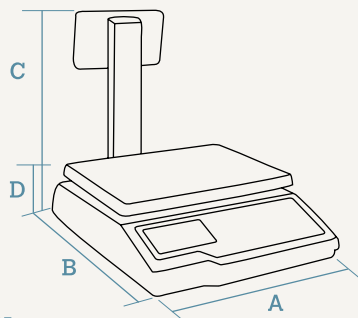


Plate dimensions: L305 x W235 mm



LCD  
SEGMENTS  
DISPLAY



UP TO  
100 PLUs



RS-232



USB



METROLOGICAL  
VERIFICATION  
OPTIONAL (EU)

## Models

	Displays	PLUs	Direct PLUs	Communication protocols	Power through a USB	Capacity / Accuracy	Reference
G-425 F/P	LCD Segment	100	9x2	Up to 100	Mains / Others	6 kg / 2 g - 15 kg / 5 g	7G401A0LNE_ _

## Characteristics and functionality

### Main characteristics

- Price computing electronic scale without printer.
- USB or RS-232 interface: PC upgradeable firmware and communication protocols.
- Power via USB: up to 80 hours of autonomy in energy saving mode with external battery of 5,600 mAh (approximate data).
- Valid for legal metrology.

### Features

- EAN heading programming (according to communication protocol).
- Tare, fix tare and manual zero.
- Fix price: to operate several times with the same article.
- Display of price in a secondary currency.
- Energy saving via programmable on and off back lighting switching and automatic disconnection.

### Capacity / Accuracy

- Multirange (3,000 divisions): 6 kg / 2 g - 15 kg / 5 g.
- Optional:
  - Multirange (3,000 divisions): 15 kg / 5 g - 30 kg / 10 g.

### Available formats

- Flat and pole in the same scale:
  - An easy to set up pole is included.

### Construction

- Structure:
  - ABS plastic casing.
- Display:
  - 5 digits backlit high-contrast LCD segment display in vendor and buyer side.
  - Shows weight, price / kg and total.
- Keypad with 32-keys.
- Stainless steel flat plate.

### Communication to PC / POS / ECR

- USB and RS-232 interface.
- Communication protocols available for the main POS and ECR in the market.
- Communication protocol is selected in the scale.
- New protocols can be added from PC by telecharge (maximum: 100 protocols).

### Power supply

- USB: 5 V / 260 mA with AC/DC adapter or through the POS connector.

## Options

Option	Characteristics	Reference
Capacity 15 kg / 5 g - 30 kg / 10 g	Multirange (3,000 divisions).	...F__ (*)
Metrological verification (M)	According to EU weighing directives. (See section on equipment metrological verification).	Consult

(\*) The scale references with this capacity are obtained by replacing the last characters of the reference for the standard scale with the indicated ending.

## Accessories

### Italian plate

L357 x W235 x H55 mm.

The Italian plate is placed on the flat plate. A new weight adjustment might be necessary. Consult.



Ref: BCR71

Note:

- The references correspond to standard models: Black ABS plastic casing, LCD segment display, flat stainless steel plate and USB and RS-232 communications. Capacity/Accuracy: 6 kg / 2 g - 15 kg / 2 g.