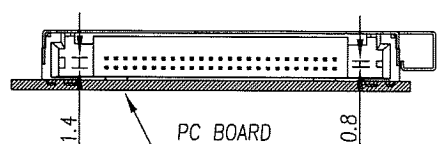
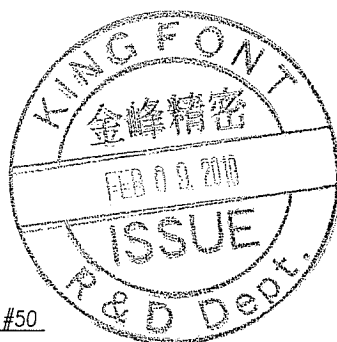
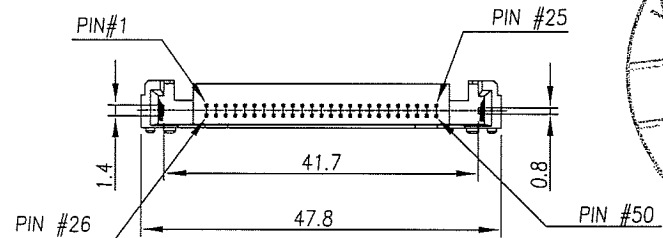
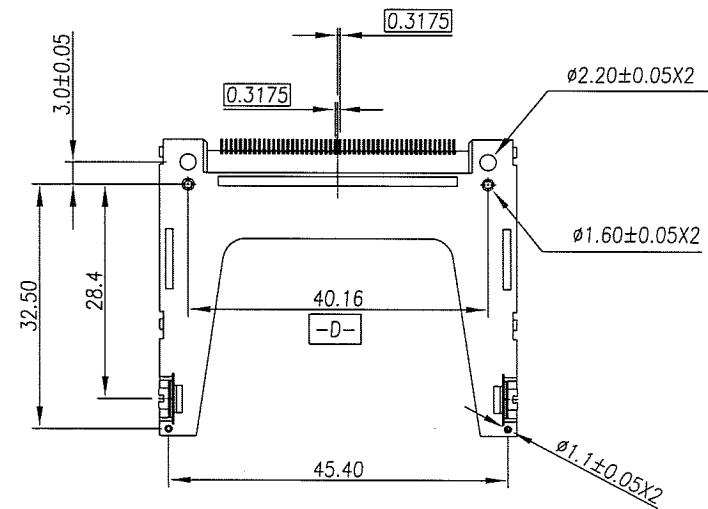
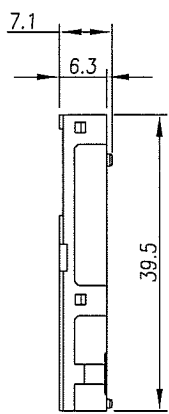
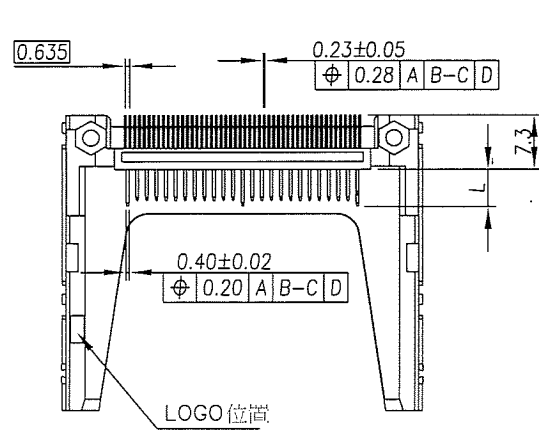
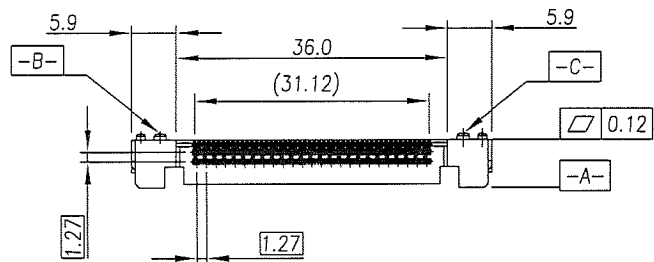


1 2 3 4 5 6 7 8

Pin Type	Interface Dim L	Pin Type	REV	MODIFICATION	DATE	DRAW
Detect	3.5 mm	25,26	F	EN-03-0415	2003/04/18	TONY
General	4.25 mm	All Other Pins	G	EN-05-0611	2005/06/03	TONY
Power	5.0 mm	1,13,38,50	H	EN-10-0211	2010/02/09	TONY

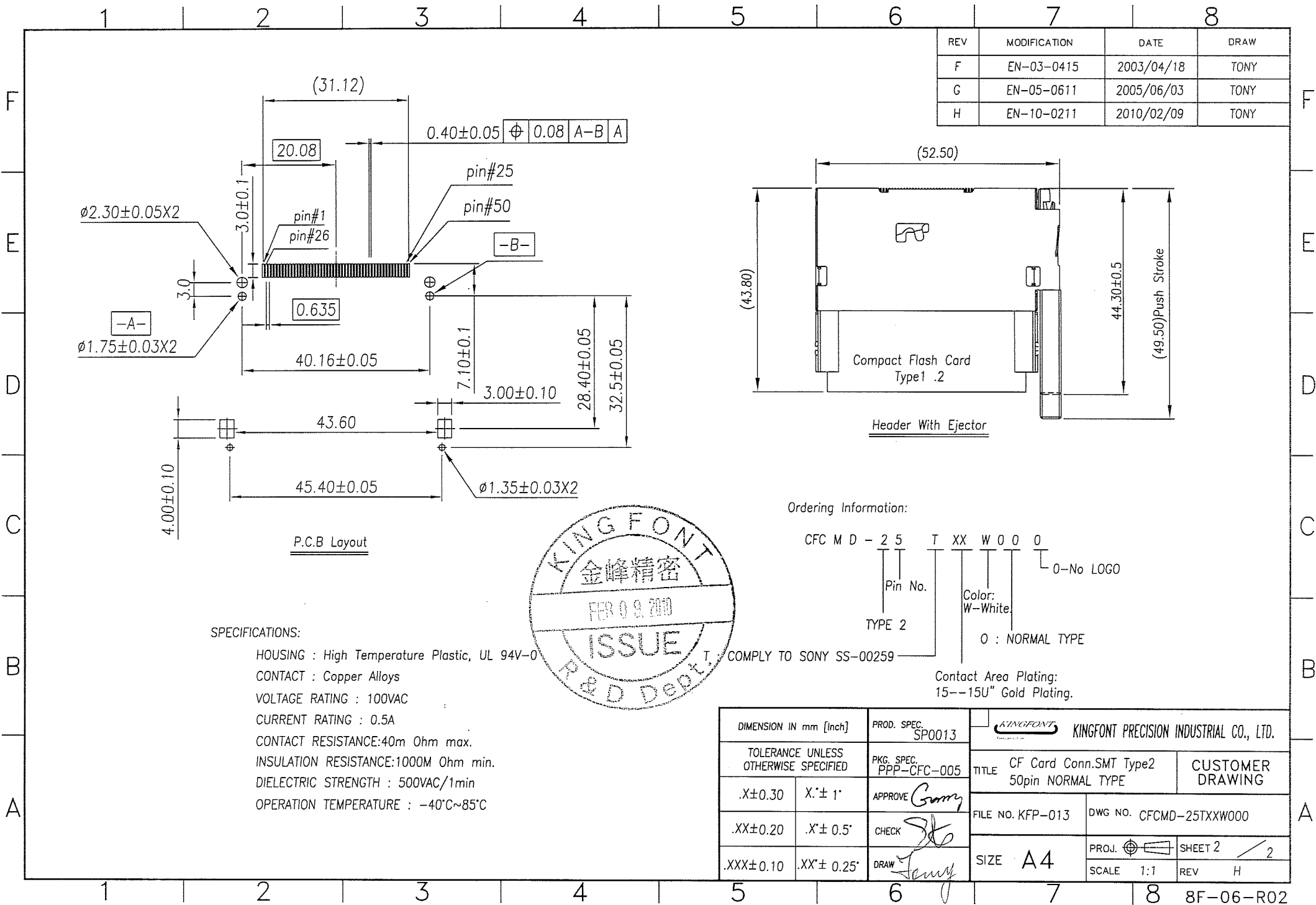
F  
E  
D  
C  
B  
A

F  
E  
D  
C  
B  
A



DIMENSION IN mm [Inch]		PROD. SPEC. SP0013	KINGFONT PRECISION INDUSTRIAL CO., LTD.	
TOLERANCE UNLESS OTHERWISE SPECIFIED		PKG. SPEC. PPP-CFC-005	TITLE CF Card Conn.SMT Type2 50pin NORMAL TYPE	CUSTOMER DRAWING
.X±0.30	X'± 1"	APPROVE <i>Comm</i>	FILE NO. KFP-013	DWG NO. CFCMD-25XXXW000
.XX±0.20	.X'± 0.5"	CHECK <i>S&amp;S</i>	SIZE A4	PROJ. SHEET 1 / 2
.XXX±0.10	.XX'± 0.25"	DRAW <i>Jeff</i>	SCALE 1:1	REV H

1 2 3 4 5 6 7 8 8F-06-R02



REV	MODIFICATION	DATE	DRAW
F	EN-03-0415	2003/04/18	TONY
G	EN-05-0611	2005/06/03	TONY
H	EN-10-0211	2010/02/09	TONY

P.C.B. Layout

Header With Ejector

**SPECIFICATIONS:**

HOUSING : High Temperature Plastic, UL 94V-0  
 CONTACT : Copper Alloys  
 VOLTAGE RATING : 100VAC  
 CURRENT RATING : 0.5A  
 CONTACT RESISTANCE:40m Ohm max.  
 INSULATION RESISTANCE:1000M Ohm min.  
 DIELECTRIC STRENGTH : 500VAC/1min  
 OPERATION TEMPERATURE : -40°C~85°C

**Ordering Information:**

CFC M D - 2 5 T XX W 0 0 0  
 Pin No. TYPE 2 Color: W-White  
 0-No LOGO  
 O : NORMAL TYPE

COMPLY TO SONY SS-00259

Contact Area Plating:  
 15--15U" Gold Plating.

DIMENSION IN mm [Inch]		PROD. SPEC SP0013	KINGFONT PRECISION INDUSTRIAL CO., LTD.	
TOLERANCE UNLESS OTHERWISE SPECIFIED		PKG. SPEC. PPP-CFC-005	TITLE CF Card Conn.SMT Type2 50pin NORMAL TYPE	CUSTOMER DRAWING
.X±0.30	X: ± 1"	APPROVE <i>Gomy</i>	FILE NO. KFP-013	DWG NO. CFCMD-25TXXW00
.XX±0.20	.X' ± 0.5"	CHECK <i>Sto</i>	SIZE A4	PROJ.  SHEET 2 / 2
.XXX±0.10	.XX' ± 0.25"	DRAW <i>Jenny</i>	SCALE 1:1	REV H