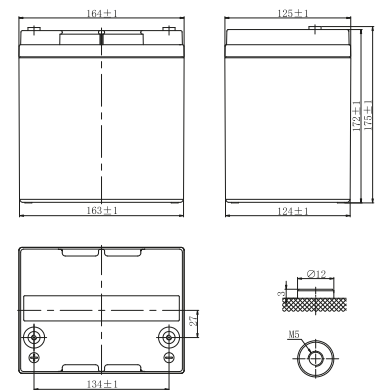


## Specifications

Rated Voltage	12V	
Nominal Rate (W <sub>15</sub> , 1.67V/cell)	92.8W/cell	
Nominal Capacity(C <sub>20</sub> , 1.80V/cell)	28Ah	
Dimension	Length	164±1mm (6.46 inches)
	Width	125±1mm (6.92 inches)
	Container Height	172±1mm (6.77 inches)
	Total Height	175±1mm (6.89 inches)
Approx. Weight	7.90 Kg (17.4 lbs)	
Terminal	M5	
Container Material	Flame Retardent ABS (UL94-V0)	
Rated Capacity (25°C)	27.0 Ah	(20hr, 1.35A, 1.80V/cell)
	26.1 Ah	(10hr, 2.61A, 1.80V/cell)
	23.8 Ah	(5hr, 4.75A, 1.75V/cell)
	22.0 Ah	(3hr, 7.32A, 1.75V/cell)
	18.2 Ah	(1hr, 18.2A, 1.67V/cell)
Max. Discharge Current	540A	
Internal Resistance (25°C)	Approx. 12.0mΩ	
Operating Temp. Range	Discharge	-15 ~ 50°C (5 ~ 122°F)
	Charge	0 ~ 40°C (32 ~ 104°F)
	Storage	-15 ~ 40°C (5 ~ 104°F)
Nominal Operating Temp. Range	25±3°C (77±5°F)	
Max. Charging Current(25°C)	8.1A	
Charge voltage(25°C)	Float	13.5V
	Temp. Coefficient	-3mV/cell/°C
	Equalization	14.1~14.4V
Effect of temp. to Capacity	40°C (104°F)	103%
	25°C (77°F)	100%
	0°C (32°F)	86%
Self Discharge	≤3%/month @ 25°C	



## Layout



### Constant Current Discharge (Amperes) at 25 °C (77°F)

F.V/Time	5min	10min	15min	20min	30min	45min	1h	2h	3h	4h	5h	6h	8h	10h	20h
1.85V/cell	62.5	47.7	39.0	33.0	25.7	19.5	15.8	9.40	6.86	5.44	4.51	3.88	3.05	2.54	1.32
1.80V/cell	71.2	52.8	42.2	34.9	27.2	20.6	16.8	9.88	7.12	5.61	4.67	4.01	3.15	2.61	1.35
1.75V/cell	81.1	56.4	44.8	37.3	28.3	21.3	17.3	10.2	7.32	5.74	4.75	4.08	3.22	2.66	1.38
1.70V/cell	89.1	60.3	46.8	38.6	29.2	21.9	17.7	10.4	7.47	5.88	4.87	4.19	3.29	2.71	1.40
1.67V/cell	94.8	63.0	48.9	40.1	30.1	22.5	18.2	10.6	7.62	5.98	4.98	4.28	3.34	2.75	1.43
1.60V/cell	98.5	65.1	50.5	41.5	31.1	23.0	18.6	10.8	7.76	6.12	5.10	4.37	3.41	2.81	1.47

### Constant Power Discharge (Watts/cell) at 25 °C (77°F)

F.V/Time	5min	10min	15min	20min	30min	45min	1h	2h	3h	4h	5h	6h	8h	10h	20h
1.85V/cell	121.5	93.3	76.8	65.3	51.0	38.9	31.7	18.90	13.90	11.00	9.18	7.91	6.26	5.22	2.74
1.80V/cell	137.1	102.2	82.2	68.4	53.6	40.8	33.4	19.80	14.30	11.30	9.45	8.13	6.42	5.33	2.77
1.75V/cell	154.5	108.1	86.6	72.3	55.3	41.7	34.1	20.2	14.60	11.50	9.55	8.23	6.52	5.42	2.82
1.70V/cell	167.8	114.3	89.2	74.2	56.6	42.6	34.8	20.5	14.80	11.70	9.72	8.39	6.61	5.47	2.85
1.67V/cell	177.1	118.7	92.8	76.3	57.9	43.4	35.5	20.8	15.00	11.80	9.89	8.53	6.70	5.54	2.89
1.60V/cell	181.9	121.3	94.8	78.2	59.3	44.0	35.9	21.0	15.20	12.00	10.00	8.62	6.77	5.61	2.94

## Applications

- All purpose
- Uninterruptable Power Supply (UPS)
- Electric Power System (EPS)
- Emergency backup power supply
- Alarm and security system
- Communication power supply
- DC power supply
- Auto control system

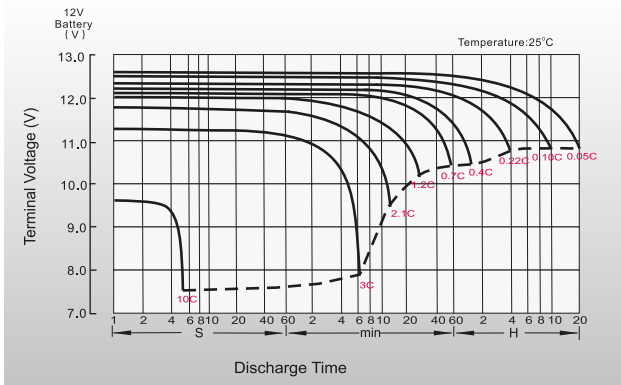
## General Features

- 10 years design life (25°C)
- ABS Material : Flame Retardent UL94-V0
- Special exhaust structure and sealing technology, safe and reliable, flexible installation, convenient maintenance
- PbCaSn alloy for plate grids: less gassing, less self-discharging
- High quality AGM separator: extend cycle life and prevent micro short circuit
- High purity raw material: ensure low self discharge rate

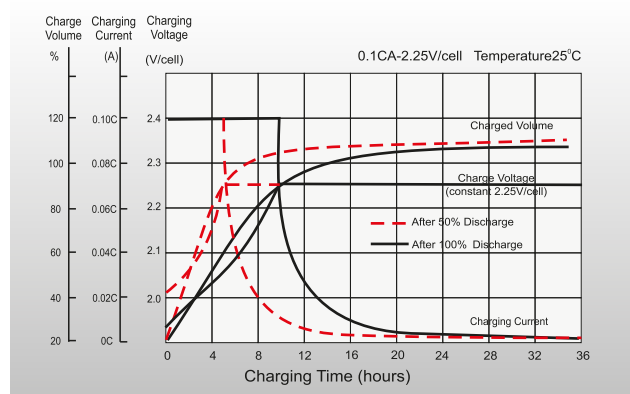
## Standards

- Compliance with IEC 60896 standards, EU Battery Directive
- UL, CE Certified
- Manufactured in ISO45001, ISO 9001 and ISO 14001 certified production facilities

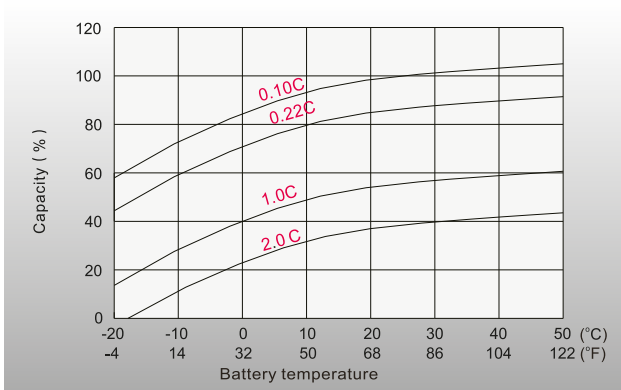
### Discharge Characteristics



### Float Charging Characteristics



### Temperature Effects in Relation to Battery Capacity



### Float Service Life

