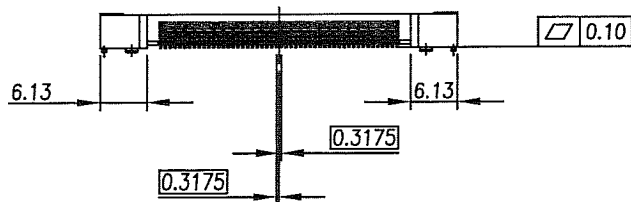
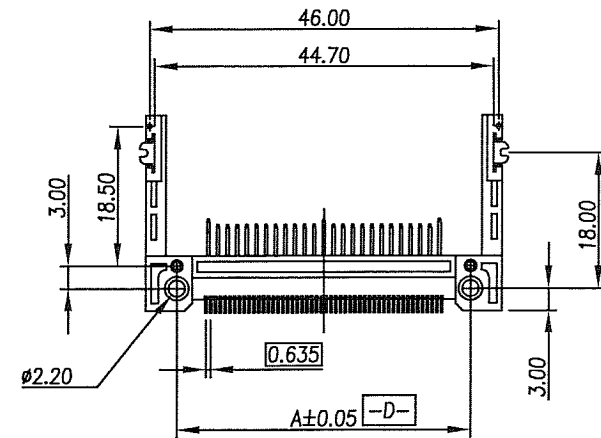
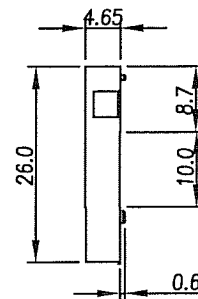
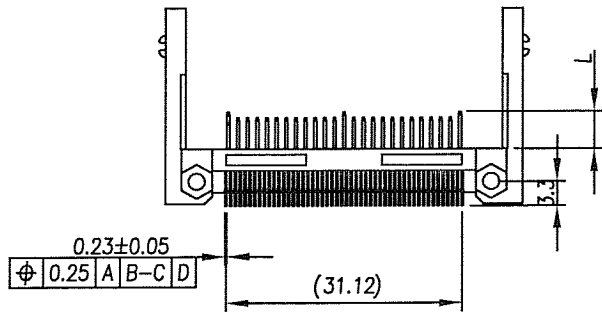
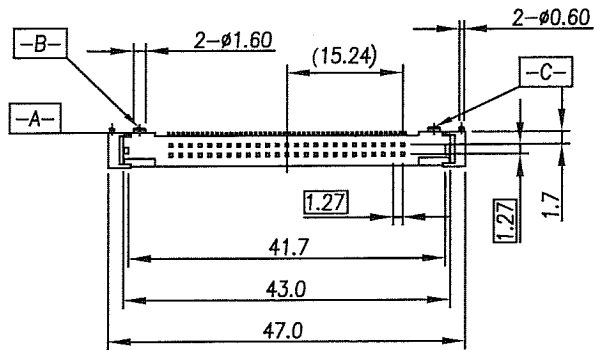
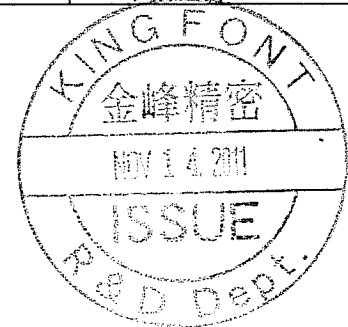
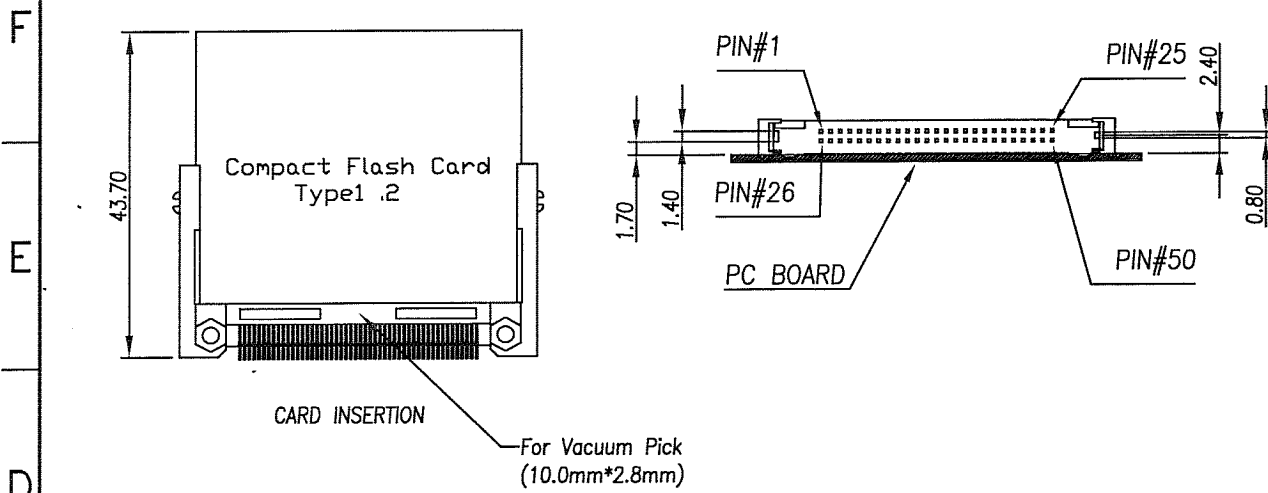


Pin Type	DIM L	Pin Type	REV	MODIFICATION	DATE	DRAW
Detect	3.5 mm	25,26	F	EN-05-0116	2005/01/11	TONY
General	4.25 mm	All Other Pins	G	EN-10-0416	2010/04/08	TONY
Power	5.0 mm	1,13,38,50	H	EN-11-1105	2011/11/09	CHRIS

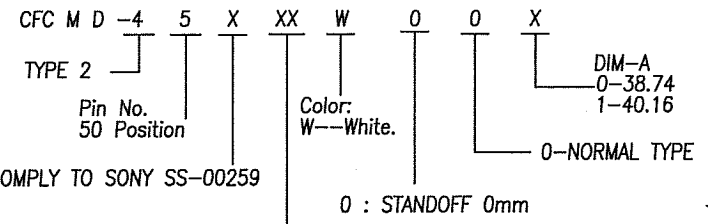


DIMENSION IN mm [Inch]		PROD. SPEC. SP0028	KINGFONT PRECISION INDUSTRIAL CO., LTD.	
TOLERANCE UNLESS OTHERWISE SPECIFIED		PKG. SPEC. PPP-CFC-006	CF CARD CONN. TYPE1,2	CUSTOMER DRAWING
.X±0.30	.X'±1"	APPROVE <i>[Signature]</i>	STAND-OFF 0.0mm NORMAL TYPE	
.XX±0.20	.X'±0.5"	CHECK <i>[Signature]</i>	FILE NO. KFP-028	DWG NO. CFCMD-45XXXW00X
.XXX±0.10	.XX'±0.25"	DRAW CHRIS	SIZE A4	PROJ. SHEET 1 / 2
			SCALE 1:1	REV H

REV	MODIFICATION	DATE	DRAW
F	EN-05-0116	2005/01/11	TONY
G	EN-10-0416	2010/04/08	TONY
H	EN-11-1105	2011/11/09	CHRIS



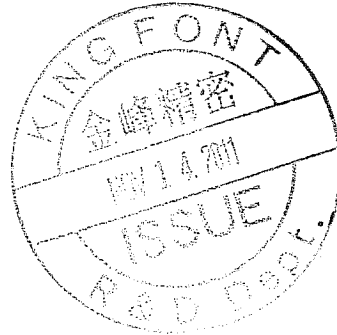
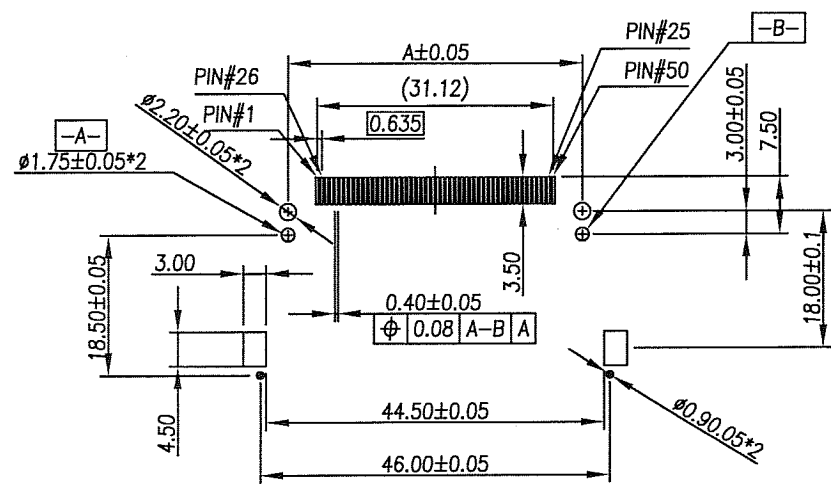
Ordering Information:



Contact Area Plating:
 15--15U" Gold Plating.
 30--30U" Gold Plating.

SPECIFICATIONS:

- HOUSING : High Temperature Plastic, UL 94V-0
- CONTACT : Copper Alloys
- VOLTAGE RATING : 100VAC
- CURRENT RATING : 0.5A
- CONTACT RESISTANCE: 40 m Ohm max.
- INSULATION RESISTANCE: 1000M Ohm min.
- DIELECTRIC STRENGTH : 500VAC/1min
- OPERATION TEMPERATURE : -40°C~85°C



DIMENSION IN mm [Inch]		PROD. SPEC. SP0028	KINGFONT PRECISION INDUSTRIAL CO., LTD.	
TOLERANCE UNLESS OTHERWISE SPECIFIED		PKG. SPEC. PPP-CFC-006	CF CARD CONN. TYPE1,2	CUSTOMER DRAWING
.X±0.30	.X'± 1"	APPROVE <i>Chris</i>	FILE NO. KFP-028	DWG NO. CFCMD-45XXXW00X
.XX±0.20	.X'± 0.5"	CHECK <i>Tony</i>	SIZE A4	PROJ. SHEET 2 / 2
.XXX±0.10	.XX'± 0.25"	DRAW <i>Chris</i>	SCALE 1:1	REV H