

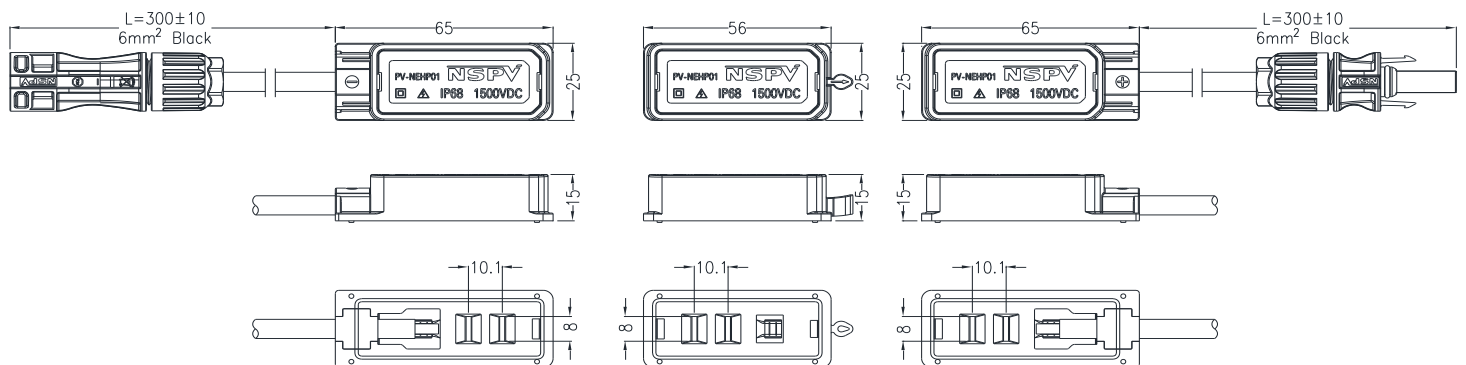
## PV-NEHP01接线盒

### PV-NEHP01 Junction Box

#### 产品规格 Product Specifications

接线盒本体材料 BOX Material	PPE/PA	阻燃等级 Flame Class	UL94-V0
额定电流 Rated current	30A(With diode)	环境温度范围 Ambient temperature range	-40℃...+85℃ (IEC)
额定电压 Rated voltage	1500VDC	适配电线规格 Suitable cable cross sections	6mm <sup>2</sup> (10AWG)
测试电压 Test voltage	8kV(50Hz,1min)	二极管数量 Diode Number	Each 1PC
连接器接触电阻 Typical contact resistance	≤ 0.25mΩ	温度上限 Upper limiting temperature	110℃(IEC)
金属导体材料 Contact material	铜,镀锡	电缆外径 Range of cable gland(mm)	O.D.:6.0
保护等级 Degree of protection	IP68(in potting)	汇流条尺寸 Ribbons size(mm)	Max.8(W)*0.2-0.5(T)
安全等级 Safety degree	II	汇流条连接 Connection of bus ribbons	Soldering

#### 图示 Drawing



#### 参考图示： Reference picture:

