

BZ 2

Hand tool for blind rivets
with opening spring



**Good ergonomics,
brilliant transformation**



2.4	3.0	3.2	4.0	4.8	5.0	6.0	6.4	8.0
Aluminium								
Steel								
Stainless steel								
Copper alloys								

kg 0.56 kg **Blister** **HUB** 8.00 mm **incl. 4 nosepieces**

Item no. 310002000000



BZ 2A NEW from April 2021

with mandrel container



Item no. 310002000001

Container set for retrofitting

Item no. 311002000031

BZ 2

100 x OPTO® multigrip blind rivets in ALU and STEEL
Dome head 3.2 x 8.0
Grip range: 0.8-4.8 mm
Item no.: 10600032080

50 x OPTO® multigrip blind rivets in ALU and STEEL
Dome head 3.2 x 11.0
Grip range: 4.0-7.9 mm
Item no.: 10600032110

50 x OPTO® multigrip blind rivets in ALU and STEEL
Dome head 4.0 x 6.0
Grip range: 0.5-3.0 mm
Item no.: 10600040060

50 x OPTO® multigrip blind rivets in ALU and STEEL
Dome head 4.0 x 9.5
Grip range: 1.2-6.4 mm
Item no.: 10600040095

25 x OPTO® multigrip blind rivets in ALU and STEEL
Dome head 4.8 x 10.3
Grip range: 1.5-6.0 mm
Item no.: 10600048103

25 x OPTO® multigrip blind rivets in ALU and STEEL
Dome head 4.8 x 15.1
Grip range: 4.8-11.1 mm
Item no.: 10600048151



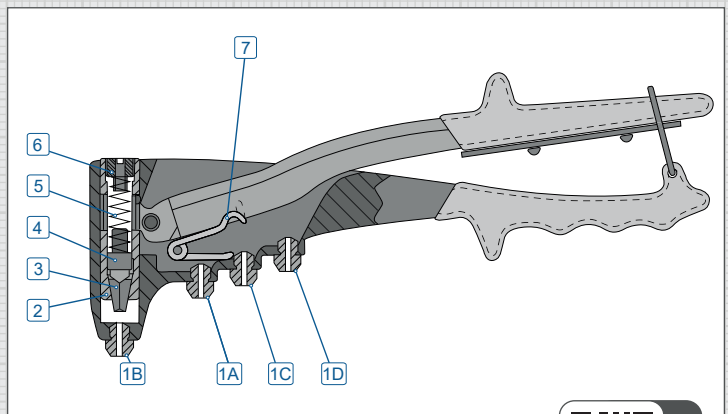
BZ 2 with OPTO® aluminium/steel fasteners

Product box of sturdy plastic with BZ 2 blind riveter incl. jaw wrench, additional clamping jaws, 1 drill each 3.3 mm, 4.1 mm and 4.9 mm and **300 blind rivets**:

Item no. 310002600000

BZ 2 spare parts

No.	Item no.	Spare part
1A	311002000024	BZ 2 nose piece 2,4 mm
1B	311002000123	BZ 2 nose piece 3,0/3,2 mm
1C	311002000124	BZ 2 nose piece 4,0 mm
1D	311002000125	BZ 2 nose piece 4,8/5,0 mm
2	311002000040	BZ 2 clamping sleeve
3	311002000132	BZ 2 clamping jaws
4	311002000006	BZ 2 guide sleeve
5	311002000007	BZ 2 pressure spring
6	311100000023	BZ 2 clamping screw
7	311002000101	BZ 2 leg spring



You can also use our interactive ProductViewer to quickly search for the correct spare part.

