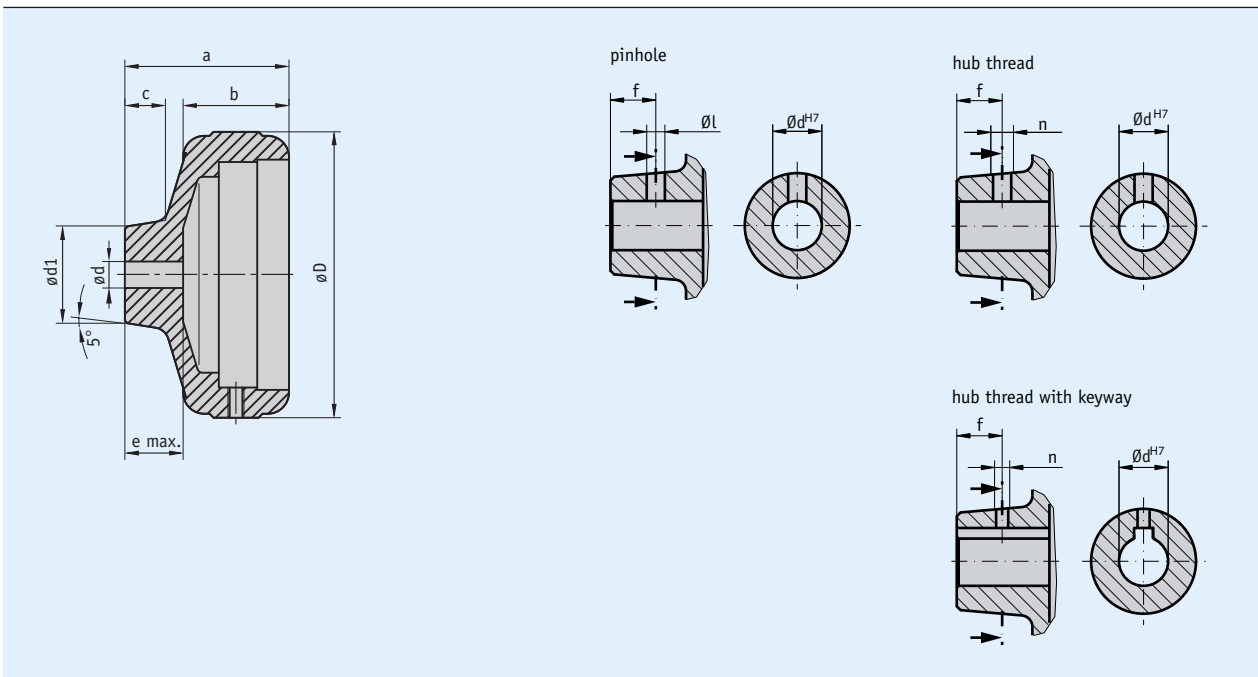


Profile

- Premium knurled aluminum handwheel
- Compact design
- Various sizes
- Surface plastic-coated, anodized or bright-finished
- Various hub versions



Mechanical data

Feature	Technical data	Additional information
Material	aluminum	
Weight	0.3 kg	HR6
	0.5 kg	HR11

■ Table of dimensions

Type	øD	ødv	ødx	ød1	a	b	c	e	Suitable for
HR6	65	5.8	20	30	50	35	15	20	S50/1
HR11	108	6.8	20	36	62	40	15	22	S80/1; SZ80/1

ødv = d prebored; ødx = d max.

Special treatment

Handwheel type	HR6					HR11				
	6 ... 8	9, 10	11, 12	13 ... 16	17 ... 20	7, 8	9, 10	11, 12	13 ... 17	18 ... 20
Bore dH7										
Groove width with keyway JS9		3	4	5			3	4	5	6
Pin hole	3.8/10	3.8/10	3.8/10	4.8/10		3.8/10	3.8/10	3.8/10	4.8/10	4.8/10
Hub thread without keyway JS9	M4/10	M4/10	M4/10	M6/10		M4/10	M4/10	M4/10	M6/10	M6/10
Hub thread with keyway JS9		M3/10	M3/10	M4/10			M3/10	M3/10	M4/10	

Texts highlighted in orange color are ordering features

Order

Ordering information

One or more system components are required:

Analog position indicator S50/1

www.siko-global.com

Analog position indicator S80/1

www.siko-global.com

Analog position indicator SZ80/1

www.siko-global.com

Ordering table

Feature	Ordering data	Specification	Additional information
handwheel type	6	HR6	
	11	HR11	
Surface	B	unpainted	
	ES	black anodized	
	EF	natural anodized	
		others on request	
Bore diameter	5.8	prebored	only with HR6
	6.8	prebored	only with HR11
	...	6 ... 20 mm, in steps of 1 mm	see Table of dimensions, maximum value ødx
Feather key groove	OP	without keyway	
	JS9	light seat	according to DIN 6885/1 T1
	P9	tight fit	according to DIN 6885/1 T1
Pinhole	OS	without pin hole	
	...	diameter "ø"/measure "f" (e.g. 3.8/10)	see table Special processing, depending on the handwheel type, only if keyway is "OP", only if hub thread is "ONG"
		others on request	
Hub thread	ONG	without hub thread	
	...	thread "n"/measure "f" (e.g. M4/10)	see table Special processing, depending on the handwheel type, only if pin hole is "OS"
		others on request	
Tapered hub	OAN	without turned hub	
		others on request	
Position indicator	PM	position indicator mounted	separate ordering of a position indicator required!
	PS	position indicator separate	separate ordering of a position indicator required!

Order key



Scope of delivery: HR...

Accessories:
End Plate AD

www.siko-global.com