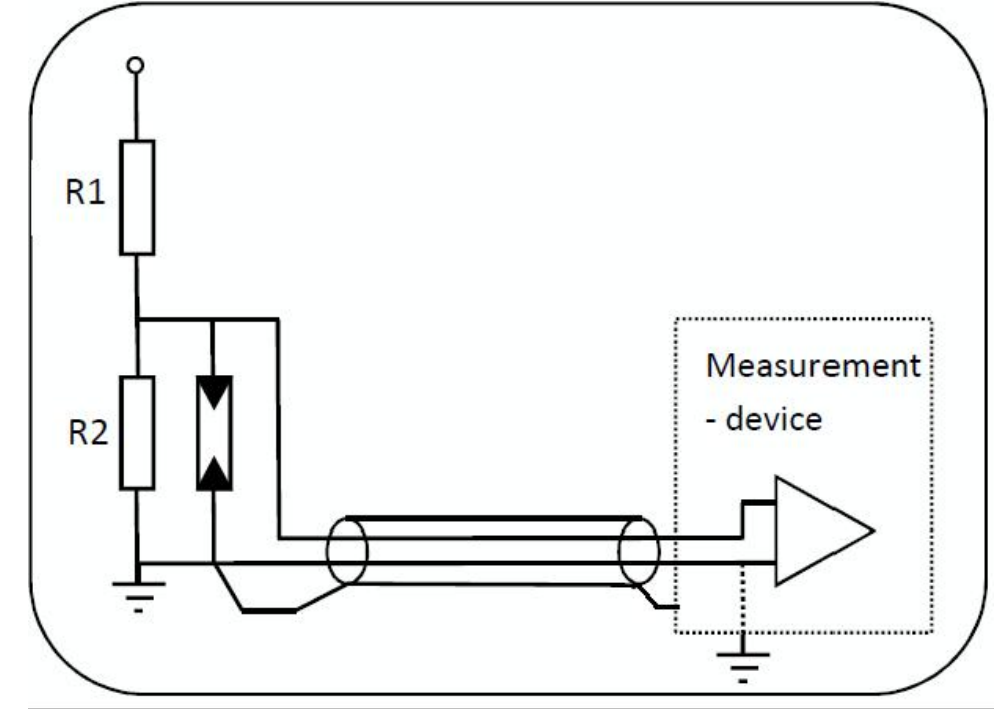
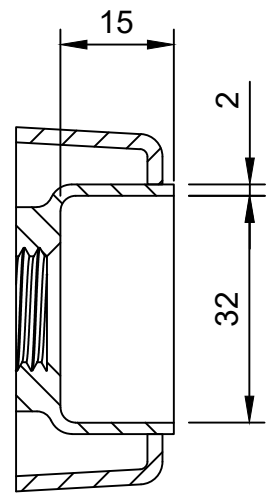
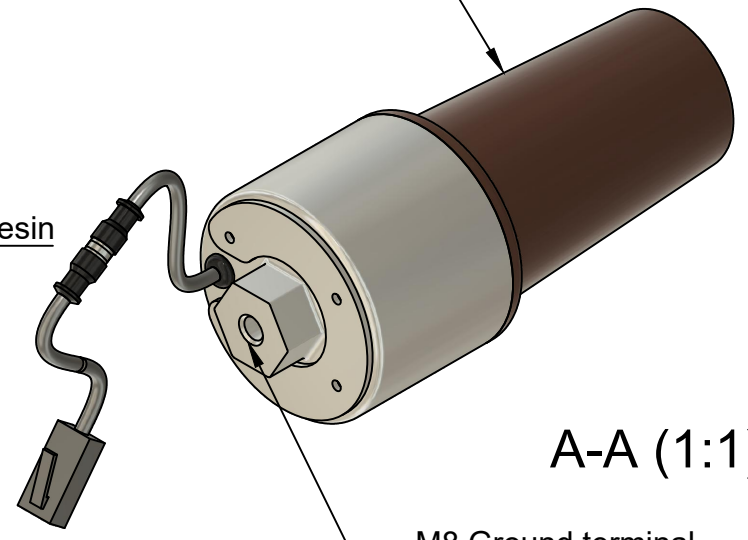
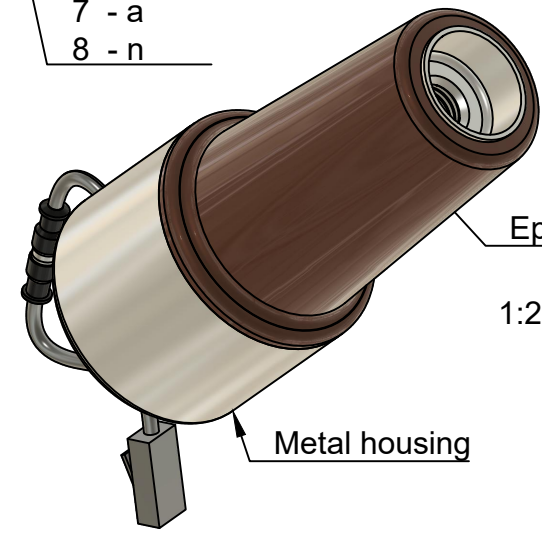


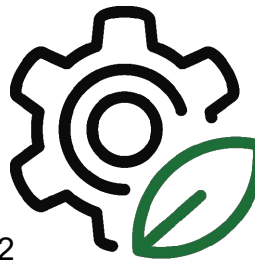
RJ45 plug  
Shielded  
pin  
7 - a  
8 - n

Cone type:  
acc. IEC 50181  
Type C

Function principle:



Standard: IEC 61869-1, IEC 61869-6, IEC 61869-11  
 Isolation level: 36/70/170kV  
 Rated voltage factor: 1,9 for 8h  
 Frequency: 50/60Hz  
 Rated primary voltage: up to 30/ $\sqrt{3}$  kV  
 Rated transformation ratio: 10.000/1V  
 Temperature range: -5/50°C  
 Accuracy class: 1P  
 Burden: 2M $\Omega$ ; 50pF  
 Correctionfactor:  $\pm 1\%$  amplitude, 40' phase for reaching deviation in respect to prototype

Dept. GWP	Technical reference	Created by W. Bacher 30.06.2020	Approved by N. Juschicz 30.06.2020
 A3/1:2	Document type Drawing	Document status Released	
	Title Indoor sensor V measuring	DWG No. T360C-18E	
		Rev. 0	Date of issue 30.06.2020