

SUBMERSIBLE
AERATION



AQUAFLOAT®

FLOATING STRUCTURE

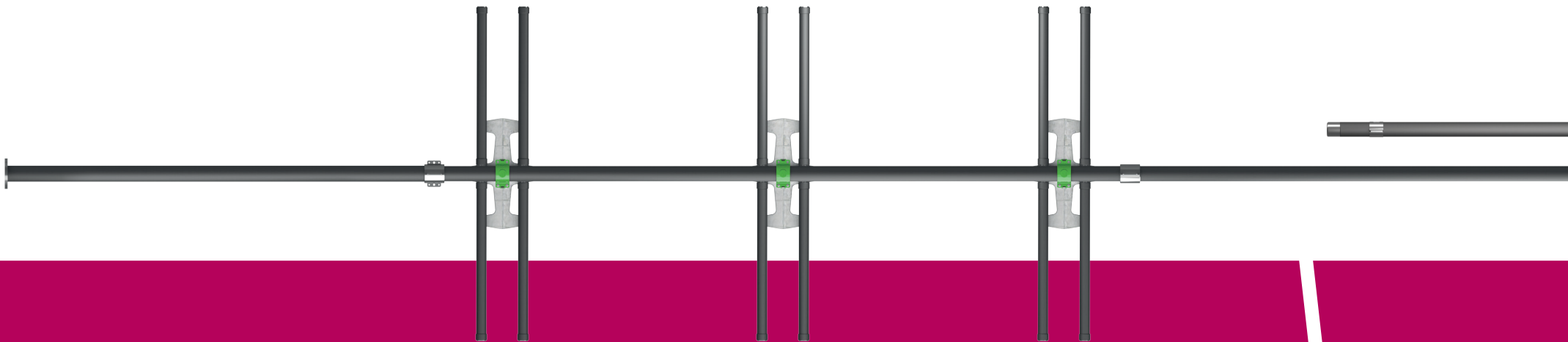
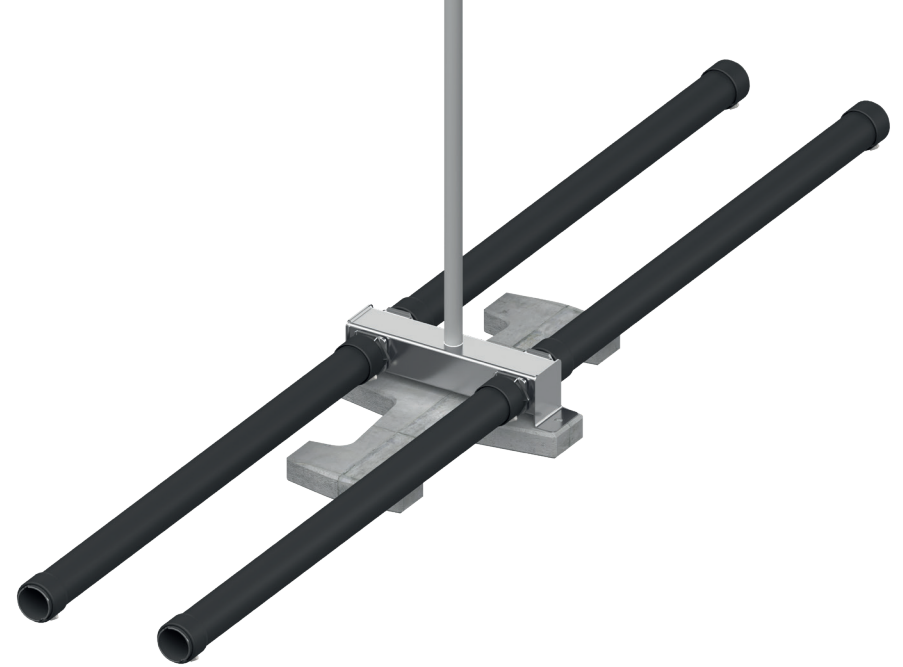


MUNICIPAL AND INDUSTRIAL
WASTEWATER TREATMENT



MAIN CHARACTERISTICS

Fine bubble aeration system for lagoons & large surface area ponds.



ADVANTAGES

COST-EFFECTIVE SOLUTION

LOW MAINTENANCE

SPECIFIC MODULAR SYSTEM

ADAPTABLE TO ANY LAGOON OR LARGE POND

LOW MAINTENANCE REQUIREMENTS

VERY RELIABLE SYSTEM EASY TO INSTALL AND OPERATE

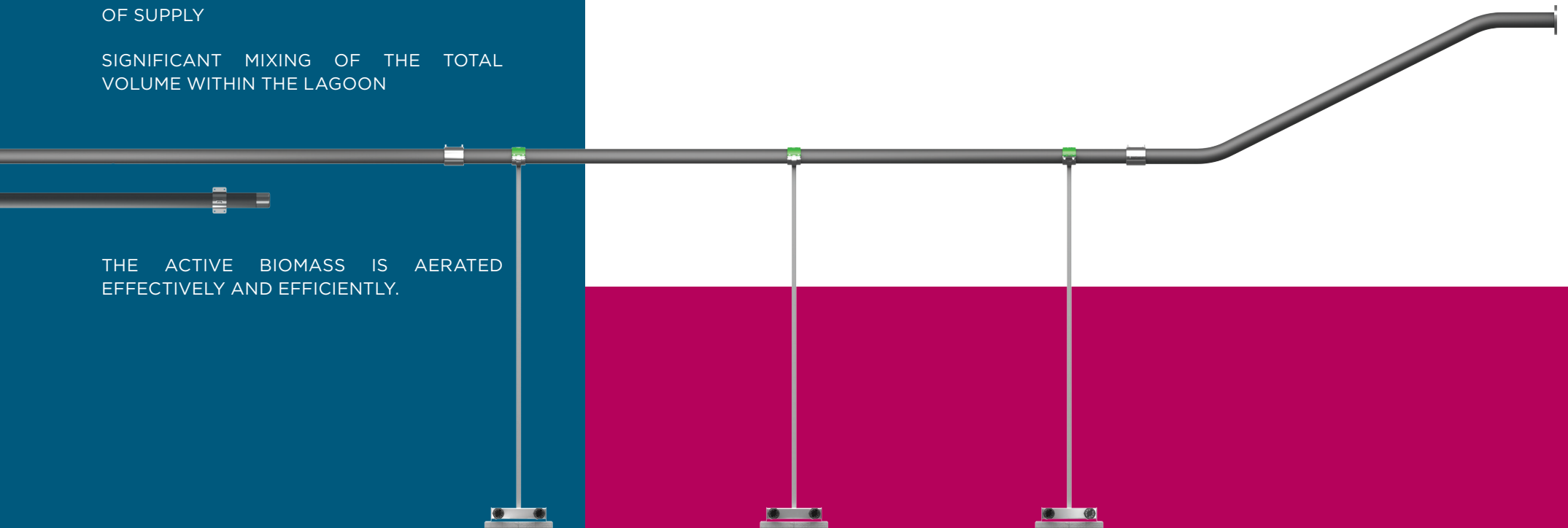
VERY COMPETITIVE DESIGN AND SCOPE OF SUPPLY

SIGNIFICANT MIXING OF THE TOTAL VOLUME WITHIN THE LAGOON

THE ACTIVE BIOMASS IS AERATED EFFECTIVELY AND EFFICIENTLY.

COMPONENTS

- HDPE Floating Feed pipe sized to provide the required air flow
- Air supply pipe to diffusers
- Aquatube 70 type Tubular Diffusers
- Stainless Steel Diffuser Feed Section
- Concrete ballast to stabilise the diffuser assembly



A STEP AHEAD IN WATER TECHNOLOGY

sfa-enviro.com

 [@sfa_enviro](https://twitter.com/sfa_enviro)

