



MAGBAT

EUROPE



MAXIMUM SAFETY

The magnet is activated by a **short electrical pulse** while the effective power is generated by **permanent magnets**.

A security factor of 3 guarantees a **safe operation**, even for rough and dirty workpieces.



ENERGY FRIENDLY

A **short current pulse** is sufficient to activate / deactivate the magnet. The powerful rechargeable Panasonic battery guarantees **500 to 600 cycles**.

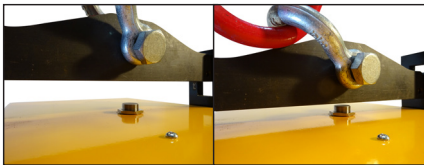


ERGONOMIC

Operation of the magnet is done by means of the **integrated digital push buttons** or by means of the supplied **Radio Remote Control**.



V-shape execution of the magnetic base for lifting **flat and cylindrical workpieces**.



An **inductive switch** ensures that demagnetisation in the air is not possible and guarantees a **100% safe operation**.

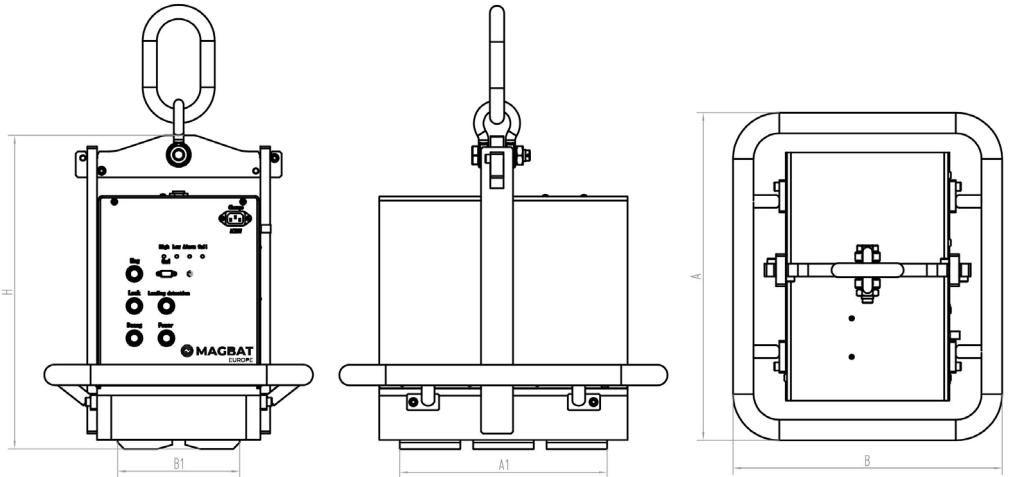


- Safety factor 3:1
- 6 models from 500 kg to 5000 kg
- Integrated "pick-up" cycle for lifting thin steel sheets from a stack
- Radio remote control
- Anti-landing detection (against accidental demagnetisation in the air)

- 1 LED indication of the status of magnet and battery
- 2 Connector for data transfer
- 3 Acoustic signal in case of low battery voltage
- 4 LED-illuminated push buttons
- 5 Around protection rail

MODELS:

MODEL	LIFTING CAPACITY (KG)		PLATE THICKNESS (MM)	VOLTAGE (V)	CHARGING TIME (H)	DIMENSIONS (MM)					WEIGHT (KG)
	□	○				A	A1	B	B1	H	
HBEP-500	500	250	6	24	6-8	474	256	404	176	436	91
HBEP-1000	1000	500	6	36	7-8	510	322	418	190	487	117
HBEP-1500	1500	750	10	48	7-8	624	436	446	228	465	162
HBEP-2000	2000	1000	12	48	7-8	672	484	446	228	533	204
HBEP-3000	3000	1500	16	60	8-9	732	512	547	292	530	267
HBEP-5000	5000	2500	20	72	8-9	1332	1136	547	312	530	502



ALSO AVAILABLE:

MODEL HBEPR: Electro-permanent lifting magnets on battery power for lifting heavy cylindrical parts.

MODEL HBEPS: Electro-permanent magnetic beam on battery power for manipulation of profiles up to 16,000 mm.

MODEL HBEPP: Electro permanent magnetic beam with built-in battery for lifting single (thin) steel plates.

DEALER: