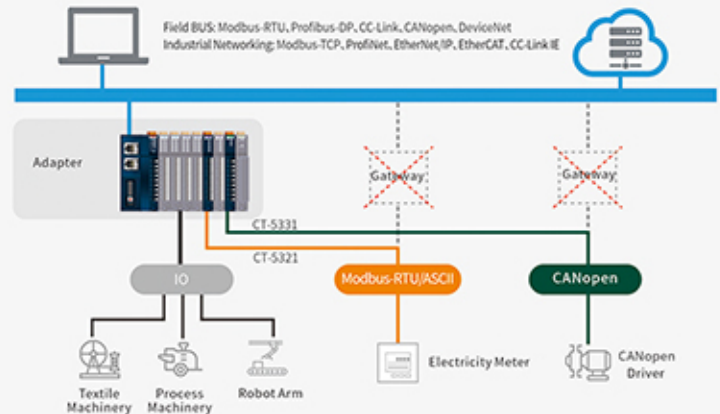


ODOT CN-8033

EtherCAT Network Adapter and Remote I/O system

The CN-8033 EtherCAT I/O module supports standard EtherCAT protocol access. The adapter supports a Max. input of 1024 bytes and a Max. output of 1024 bytes. It supports 32 pcs of extended IO modules.



The network adapter is also compatible with CODESYS V3.5.

System Power: Nominal 24Vdc, Range-9-36Vdc
 Protection: Overcurrent Protection,
 Reverse Protection: YES
 Power Consumption: 110mA@24Vdc
 Internal BUS Supply Current: Max.2A@5VDC
 Isolation: System Power to Field Power Isolation
 Field Power Supply
 Power Supply: 22~28V (Nominal 24VDC)
 Field Power Supply Current: Max. DC 8A
 I/O Modules supported: 32 pcs
 Wiring: Max.1.5mm²(AWG 16)
 Mounting Type: 35mm Size DIN-Rail
 Size: 115*51.5*75mm
 Weight: 130g

Environment Specification
 Operational Temperature: -40~85°C
 Operational Humidity: 5%~95% RH(Condensation)
 Protection Level: IP20

EtherCAT: Parameter
 Protocol: EtherCAT
 Process data area: Input Max.1024 Bytes, Output Max.1024 Bytes
 Network Interface: 2 RJ45
 Speed: 10/100Mbps, MDI/MIDX, Full-Duplex
 Max.Bus Length: 100m



Founded in 2003, Sichuan ODOT Automation System Co., Ltd. is a technical enterprise specialized in industrial communication and automation control system R&D and integrated technical service. with 18-years experience focused on I/O solutions, as a leading I/O automation service provider in China.

We own a factory of over 1500 square meters and we have 70 staff including 30 engineers, 16 senior technical talents, 45 undergraduates, 19 special technic talents, 4 scientific prizes, 2 inventing patents, 7 new-concept patents, and 20 software copyright patents.

Since 2012 and ODOT Automation has successfully provided professional field data collection solutions for textile enterprises, automobile accessory enterprises, Gas&Oil processing enterprises, food and beverage producing enterprise, water treatment, power management, hydro power station, New Energy, liquor producing enterprises etc.

Our mission is focusing on IIOT, boosting smart factory.



Strength Certification qualification

ODOT Having passed ISO9001:2015, CE and Intellectual Property Management System certification. also a member of international communication standard organization PROFIBUS&PROFINET Association (PIChina), EtherCAT Technology Association, CC-Link member unit, OPC International Fund Organization, China Communication Industry Association, Industry Internet Federation and Edge computing industry Federation.



Applications we support

1. Machinery Industry
CNC/Food and beverage/Grain and oil machinery/Smart factory/AUTO
2. Energy Industry
Thermal plant/hydropower station/PTD
3. New Energy
Solar/Photovoltaic-PV/Lithium battery industry
4. Process Control
Sewage disposal/Oil and Gas/Chemical/Pharmacy
5. Other Industry
Railway/ Urban rail/Building/ HVAC