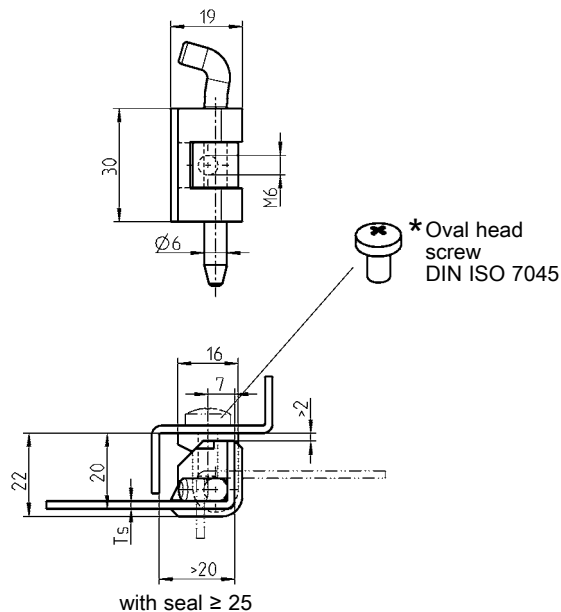
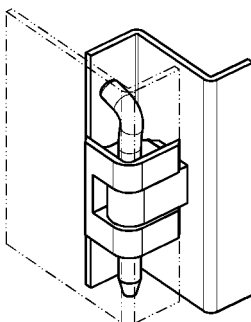
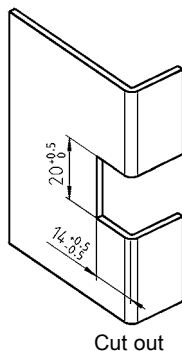


180° hinge PROGRAM 1110

Beschlagteile



180° hinge for single cabinets
for 20 mm door return

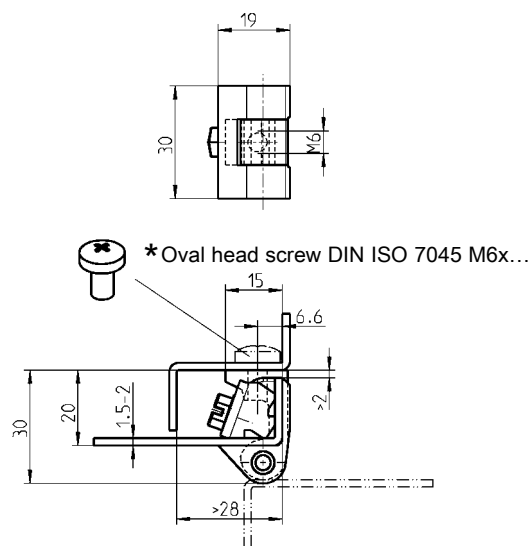
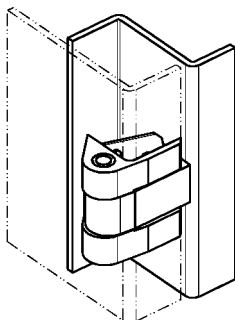
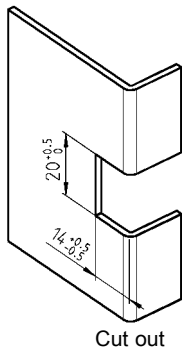


180° hinge zinc die and pin m.s. zinc pl. or AISI 316 and pin 303

	Ts 0,8 – 1,0	Ts 1.5 – 2.0
Zinc die chrome-plated	–	1110-U2
Zinc die black powder coated	–	1110-U3
AISI 316	1110-U51	1110-U50



180° hinge for in-line cabinets with adjacent door
for 20 mm door return



180° hinge zinc die or AISI 316; pin m.s. zinc plated or AISI 304;
Fixing material m.s. zinc plated or AISI 303

chrome plated	1110-U4-N
black powder coated	1110-U5-N
AISI 316	1110-U5-NPH

* not included