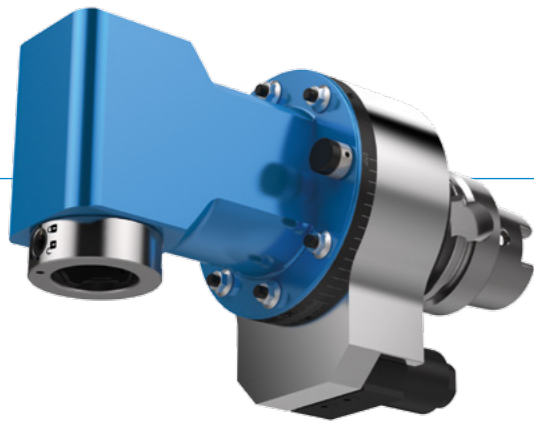


ANGLE HEAD MONO WSX

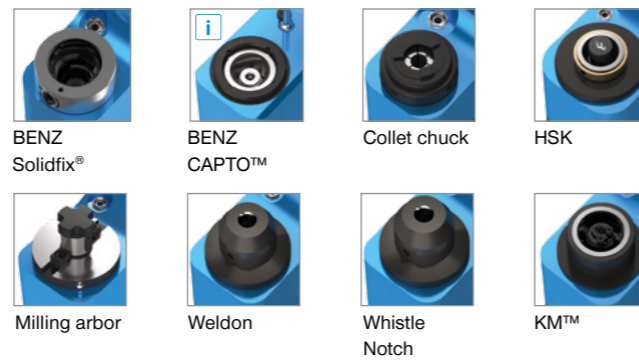
MODULAR DESIGN



ANGLE HEAD BODY (SIZE)

04 05 07 15 20

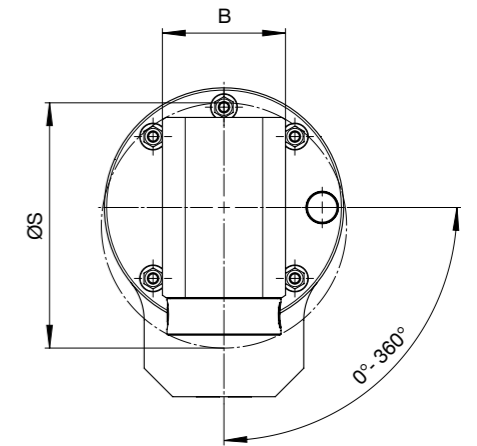
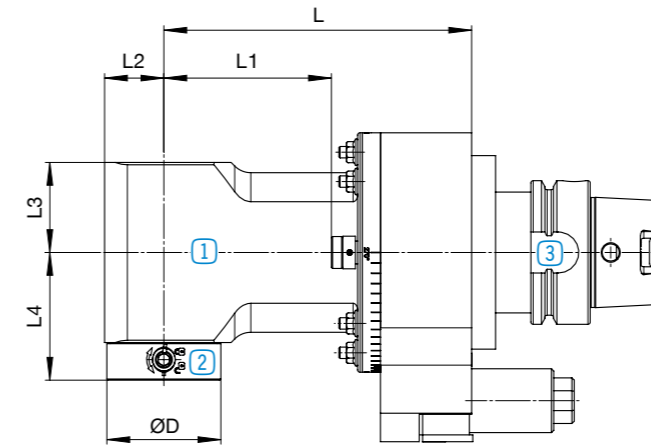
OUTPUT SPINDLE / CLAMPING SYSTEM



DRIVE CONE



Angle head without IC



① Angle head body page 22



② Output spindle / clamping system page 24



③ Drive cone page 26

Specifications

Change the angle head	Machining	Number of output spindles	Axis angle	Coolant feed for cutting edge

Other dimensions for angle heads with BENZ CAPTO™ output spindle. Dimensions available on request.

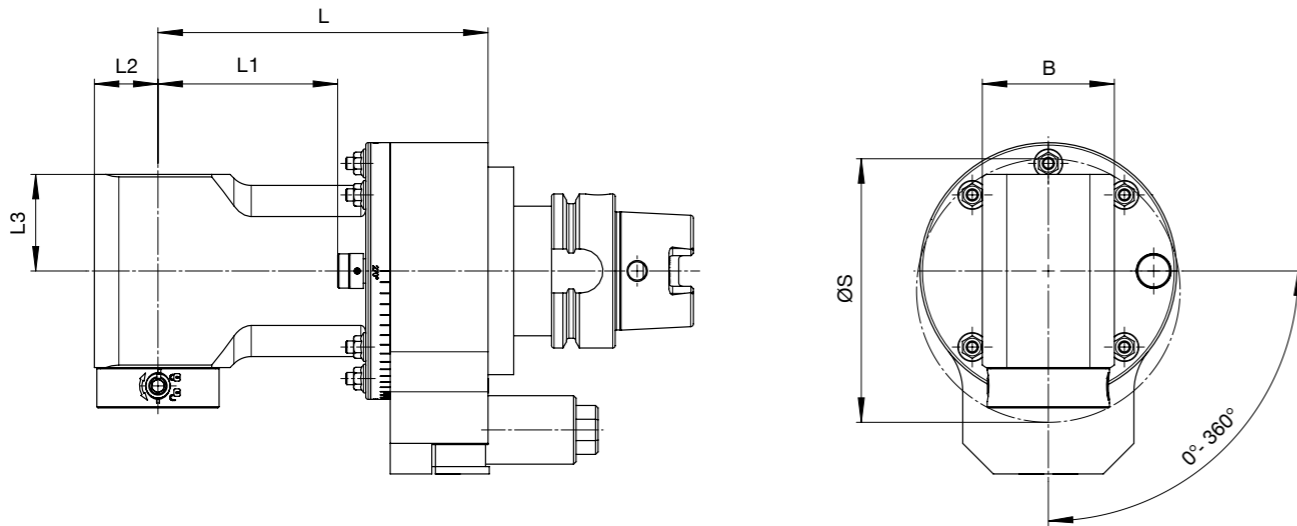
ANGLE HEAD MONO WSX

▶ ANGLE HEAD BODY (SIZE)



i More sizes on request.
Higher speeds are possible as an option.

▶ Angle head without IC



Size 04

M_{max} = 15 Nm
 i = 1:1
 n_{max} = 10,000 rpm

▶ Technical data

L1 [mm]	L2 [mm]	L3 [mm]	B [mm]	ØS [mm]	L [mm]	EC*	IC	Weight [kg]
43.5					95			4
93.5	24	35.5	46	95	145	-	-	4.3
123.5					175			4.5

Size 05

M_{max} = 30 Nm
 i = 1:1
 n_{max} = 8,000 rpm
 p_{max} = 70 bar*

▶ Technical data

L1 [mm]	L2 [mm]	L3 [mm]	B [mm]	ØS [mm]	L [mm]	EC*	IC	Weight [kg]
26.5					88	-		5
73.5	26	39.5	54	108	135	- / ✓	-	5.5
133.5					195	- / ✓		6.5

Size 07

M_{max} = 70 Nm
 i = 1:1
 n_{max} = 6,000 rpm
 p_{max} = 70 bar*

▶ Technical data

L1 [mm]	L2 [mm]	L3 [mm]	B [mm]	ØS [mm]	L [mm]	EC*	IC	Weight [kg]
43.5					105	-		8.5
88.5	35	51	80	141	150	- / ✓	-	9.5
153.5					215	- / ✓		11

Size 15

M_{max} = 150 Nm
 i = 1:1
 n_{max} = 4,000 rpm
 p_{max} = 70 bar*

▶ Technical data

L1 [mm]	L2 [mm]	L3 [mm]	B [mm]	ØS [mm]	L [mm]	EC*	IC	Weight [kg]
85.5					155	-		14.5
155.5	40	63	92	169	225	- / ✓	-	17
228.5					298	- / ✓		19.5

Size 20

M_{max} = 230 Nm
 i = 1:1
 n_{max} = 3,000 rpm
 p_{max} = 70 bar*

▶ Technical data

L1 [mm]	L2 [mm]	L3 [mm]	B [mm]	ØS [mm]	L [mm]	EC*	IC	Weight [kg]
101					171	-		16.5
171	45	63	100	182	241	- / ✓	-	19
241					311	- / ✓		21.5



*Optional: EC via spray nozzle

ANGLE HEAD MONO WSX

▶ OUTPUT SPINDLE / CLAMPING SYSTEM



i Technical data for other output spindles / clamping systems on request:



Weldon

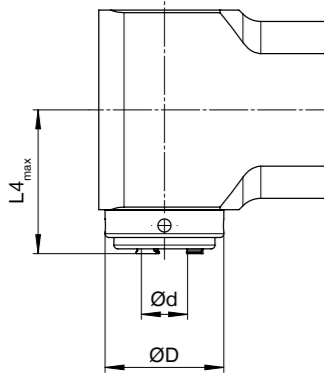


Whistle Notch



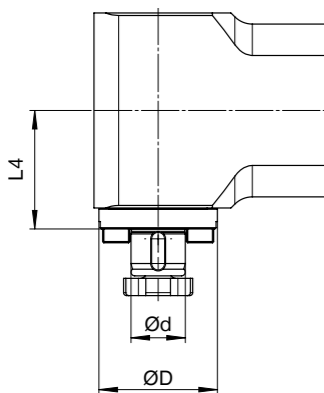
KM™

i We show you **preferable sizes** in the following tables. Smaller output spindles are possible at any time as an option.



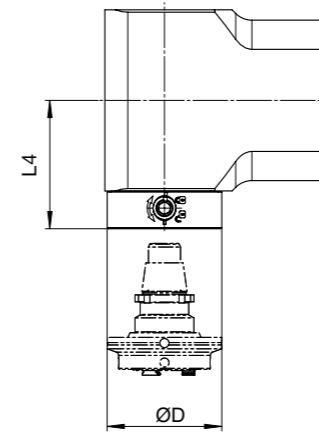
Collet chuck

▶ Technical data				
	Size	L4 _{max} [mm]	ØD [mm]	Ød _{max} [mm]
ER16A	04	46	44	10
ER20A	04	54	44	13
ER25A	05	57	47	16
ER32A	07	69	55	20
ER40A	15	82	70	30
ER40A	20	85	75	30

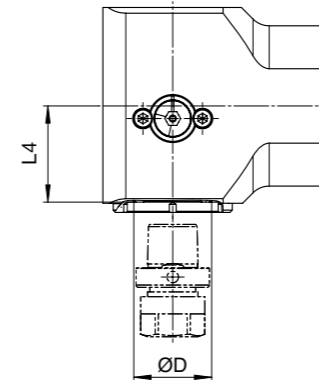


Milling arbor

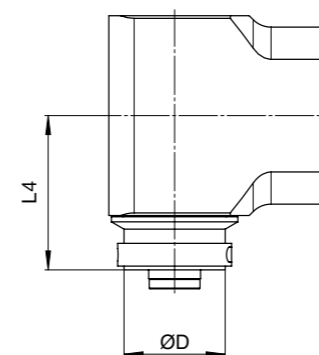
▶ Technical data				
	Size	L4 [mm]	ØD [mm]	Ød [mm]
22	05	48	48	22
27	07	62.5	60	27
32	15	76	75	32
40	15	77.5	80	40
40	20	77.5	80	40



i For adapters and dimensions, see catalogue [BENZ Modular Tool Systems](#)



i For adapters and dimensions, see catalogue [BENZ Modular Tool Systems](#)



BENZ Solidfix®

▶ Technical data			
	Size	L4 [mm]	ØD [mm]
S2	04	49.5	40
S3	05	56	50
S4	07	72	63
S5	15	86	75
S5	20	90	75



BENZ CAPTO™

▶ Technical data			
	Size	L4 [mm]	ØD [mm]
C3	05	42	32
C4	07	52	40
C5	15	60	50
C6	20	80	63

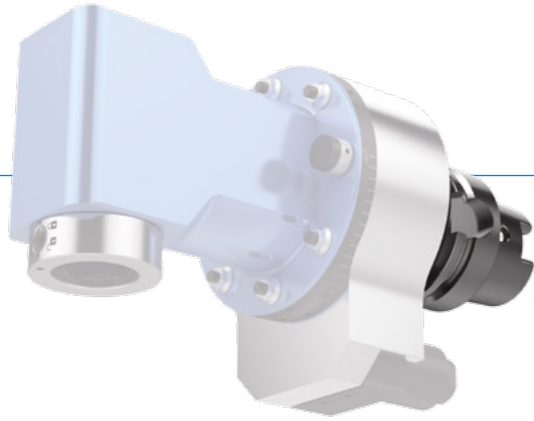


HSK

▶ Technical data			
	Size	L4 [mm]	ØD [mm]
HSK 40	05	59	40
HSK 50	07	68	50
HSK 63	15	93	63
HSK 63	20	99	63

ANGLE HEAD MONO WSX

DRIVE CONE



i Technical data for other machine interfaces on request.

Type: Steep taper



SK DIN 69871	Size				
	04	05	07	15	20
SK 40	✓	✓	✓	-	-
SK 50	✓	✓	✓	✓	✓



MAS BT	Size				
	04	05	07	15	20
BT 40	✓	✓	✓	-	-
BT 50	✓	✓	✓	✓	✓



CAT	Size				
	04	05	07	15	20
CAT 40	✓	✓	✓	-	-
CAT 50	✓	✓	✓	✓	✓

Type: Hollow shank taper



HSK DIN 69893	Size				
	04	05	07	15	20
HSK 40	✓	-	-	-	-
HSK 50	✓	✓	-	-	-
HSK 63	✓	✓	✓	-	-
HSK 80	✓	✓	✓	✓	-
HSK 100	✓	✓	✓	✓	✓



Coromant Capto®	Size				
	04	05	07	15	20
C3	✓	-	-	-	-
C4	✓	✓	-	-	-
C5	✓	✓	✓	✓	-
C6	✓	✓	✓	✓	✓
C8	✓	✓	✓	✓	✓



Kennametal™	Size				
	04	05	07	15	20
KM 40	✓	-	-	-	-
KM 50	✓	✓	-	-	-
KM 63	✓	✓	✓	-	-
KM 80	✓	✓	✓	✓	-
KM 100	✓	✓	✓	✓	✓